






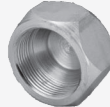









<i>Click on items below to be linked to that page</i>		SECTION INDEX	
			PAGE
1	STRAIGHT CONNECTORS		D 2
2	TEES / CROSSES		D 18
3	90° ELBOWS		D 31
4	45° ELBOWS		D 48
5	TUBE WELD		D 48
6	TUBE FITTINGS		D 62
7	PLUGS		D 62
8	CAPS		D 62
9	ADAPTOR UNIONS		D 71
10	ADAPTORS FIXED		D 71
11	REDUCING BUSHES		D 71
12	SOCKETS		D 71
13	FLANGE FITTINGS		D 84
14	SEALS & ACCESSORIES		D 84
15	ALPHANUMERIC INDEX		D 99



SECTION 1 STRAIGHT CONNECTORS

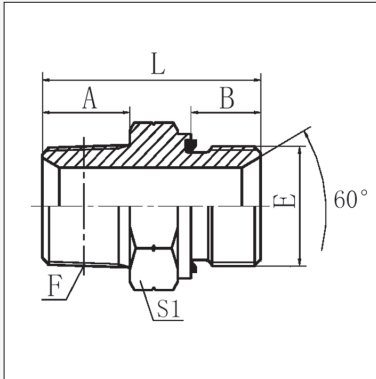
PAGE

A	BSPP x BSPT	M / M	D 3
B	BSPP BULKHEAD	M / M	D 3
C	BSPP x JIC	M / M	D 4
AHN	BSPP x NPT	M / M	D 4
D	BSPT x BSPT	M / M	D 5
DN	BSPT x NPT	M / M	D 5
F	BSPT x JIC	M / M	D 6
H	UN`O` x BSPT	M / M	D 7
HN	UN`O` x NPTF	M / M	D 7
J	UN`O` x JIC	M / M	D 8
K	UN`O` x JIC EXT.	M / M	D 9
L	METRIC x JIC	M / M	D 9
M	NPTF x JIC	M / M	D 10
P	JIC x JIC	M / M	D 11
R	JIC BULKHEAD	M / M	D 11
AH	BSPP x BSPP	M / M	D 12
AM	BSPP x JIS BSPP	M / M	D 12
AN / ANHD	NPTF x NPTF	M / M	D 13
KA	JIS METRIC x BSPP	M / M	D 13
KF	JIS METRIC x BSPT	M / M	D 14
KP	JIS METRIC x JIS METRIC	M / M	D 14
PS	SAE INVERTED x JIC	M / M	D 15
FF1201	ORFS x BSPP	M / M	D 15
FF1202	ORFS x NPTF	M / M	D 16
FF1204	ORFS x ORFS	M / M	D 16
FF1231	ORFS x UN`O`	M / M	D 17
FF1260LN	ORFS BULKHEAD	M / M	D 17

STRAIGHT CONNECTORS

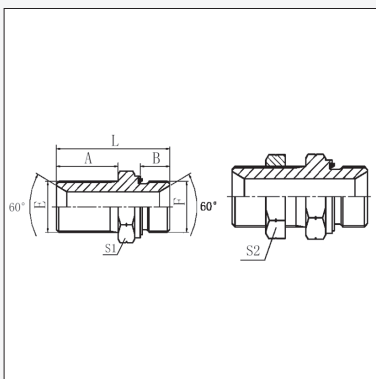


A SERIES BSPP MALE x BSPT MALE



Product Code	Thread		Dimensions mm			
	E (BSPP)	F (BSPT)	A	B	L	S1
A-02-02	1/8" - 28	1/8" - 28	10	7.8	24.6	13.8
A-04-02	1/4" - 19	1/8" - 28	10	12	30	19
A-04-04	1/4" - 19	1/4" - 19	14.5	12	34.5	19
A-04-06	1/4" - 19	3/8" - 19	15	12	35	19
A-04-08	1/4" - 19	1/2" - 14	20	12	42	22
A-06-04	3/8" - 19	1/4" - 19	14.5	12	37	22
A-06-06	3/8" - 19	3/8" - 19	15	12	37.5	22
A-06-08	3/8" - 19	1/2" - 14	20	12	42.5	24
A-06-12	3/8" - 19	3/4" - 14	20	12	44.5	30
A-08-04	1/2" - 14	1/4" - 19	14.5	14	41.5	27
A-08-06	1/2" - 14	3/8" - 19	15	14	42	27
A-08-08	1/2" - 14	1/2" - 14	15	16	35	27
A-08-12	1/2" - 14	3/4" - 14	20	14	47	30
A-08-16	1/2" - 14	1" - 11	23	15	53	36
A-12-06	3/4" - 14	3/8" - 19	15	16	45	32
A-12-08	3/4" - 14	1/2" - 14	20	16	50	32
A-12-12	3/4" - 14	3/4" - 14	20	16	50	32
A-12-16	3/4" - 14	1" - 11	25.5	16	55.5	36
A-16-08	1" - 11	1/2" - 14	20.5	18	54	41
A-16-12	1" - 11	3/4" - 14	20.5	18	54	41
A-16-16	1" - 11	1" - 11	25.5	18	59.5	41
A-16-20	1" - 11	1.1/4" - 11	26.5	18	60.5	46
A-20-12	1.1/4" - 11	3/4" - 14	27	15	59	46
A-20-16	1.1/4" - 11	1" - 11				
A-20-20	1.1/4" - 11	1.1/4" - 11	26.5	20	64.5	50
A-20-24	1.1/4" - 11	1.1/2" - 11				
A-24-20	1.1/2" - 11	1.1/4" - 11	26.5	22	66.5	55
A-24-24	1.1/2" - 11	1.1/2" - 11				
A-32-32	2" - 11	2" - 11				

B SERIES BSPP MALE BULKHEAD



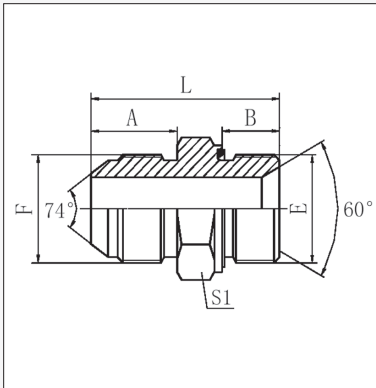
Product Code	Thread		Dimensions mm				
	E (BSPP)	F (BSPP)	A	B	L	S1	S2
B-04-04	1/4" - 19	1/4" - 19	35	12	55	19	19
B-06-06	3/8" - 19	3/8" - 19	35	12	57.5	22	22
B-08-08	1/2" - 14	1/2" - 14	39	14	66	27	27
B-12-12	3/4" - 14	3/4" - 14	42	16	72	32	32
B-16-16	1" - 11	1" - 11	50	18	84	41	41
B-20-20	1.1/4" - 11	1.1/4" - 11	52	20	90	50	50
B-24-24	1.1/2" - 11	1.1/2" - 11	56	22	96	55	55
B-32-32	2" - 11	2" - 11				70	70

STRAIGHT CONNECTORS



C SERIES

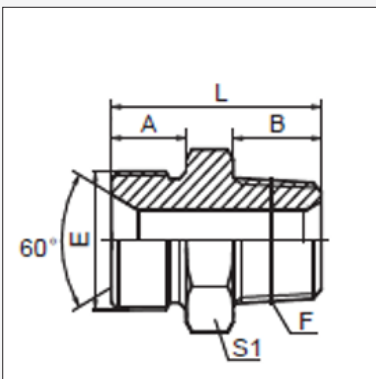
BSPP MALE x JIC MALE



Product Code	Thread		Dimensions mm			
	E (BSPP)	F (JIC)	A	B	L	S1
C-02-07	1/8" - 28	7/16" - 20	14	8	29.5	14
C-02-09	1/8" - 28	9/16" - 18	14.1	8	29.5	17
C-04-07	1/4" - 19	7/16" - 20	14	12	34	19
C-04-09	1/4" - 19	9/16" - 18	14.1	12	34	19
C-04-12	1/4" - 19	3/4" - 16	16.7	12	37	22
C-06-07	3/8" - 19	7/16" - 20	14	12	34.5	22
C-06-09	3/8" - 19	9/16" - 18	14.1	12	34.5	22
C-06-12	3/8" - 19	3/4" - 16	16.7	12	37.5	22
C-06-12-070	3/8"-19	3/4"-16	16.7	12	70	22
C-06-12-095	3/8"-19	3/4"-16	16.7	12	95	22
C-06-14	3/8" - 19	7/8" - 14	19.3	12	41.5	24
C-06-17	3/8" - 19	1.1/16" - 12	21.9	12	46	30
C-08-07	1/2"-14	7/16"-20	14	14	41	27
C-08-09	1/2" - 14	9/16" - 18	14.1	14	41	27
C-08-12	1/2" - 14	3/4" - 16	16.7	14	43.5	27
C-08-14	1/2" - 14	7/8" - 14	19.3	14	46.5	27
C-08-17	1/2" - 14	1.1/16" - 12	21.9	14	48.5	30
C-12-09	3/4" - 14	9/16" - 18	14.1	16	42	32
C-12-12	3/4" - 14	3/4" - 16	16.7	16	45	32
C-12-14	3/4" - 14	7/8" - 14	19.3	16	47.5	32
C-12-17	3/4" - 14	1.1/16" - 12	21.9	16	50	32
C-12-19	3/4" - 14	1.3/16" - 12	22.6	16	51.6	32
C-12-21	3/4" - 14	1.5/16" - 12	23.1	16	53	36
C-16-12	1" - 11	3/4" - 16	16.7	18	48.3	41
C-16-14	1" - 11	7/8" - 14	19.3	18	49	41
C-16-17	1" - 11	1.1/16" - 12	21.9	18	56	41
C-16-21	1" - 11	1.5/16" - 12	23.1	18	57	41
C-16-26	1" - 11	1.5/8" - 12	24.3	18	58	46
C-20-17	1.1/4" - 11	1.1/16" - 12	21.9	20	60	50
C-20-21	1.1/4" - 11	1.5/16" - 12	23.1	20	61	50
C-20-26	1.1/4" - 11	1.5/8" - 12	24.3	20	62	50
C-20-30	1.1/4" - 11	1.7/8" - 12	27.5	20	65.5	50
C-24-21	1.1/2" - 11	1.5/16" - 12	23.1	22	63	55
C-24-26	1.1/2" - 11	1.5/8" - 12	24.3	22	64	55

AHN SERIES

BSPP MALE x NPT MALE

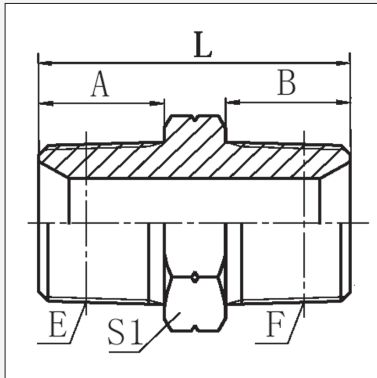


Product Code	Thread		Dimensions mm			
	E (BSPP)	F (NPT)	A	B	L	S1
AHN-02-02	1/8"-28	1/8"-27	10	10.5	26	14
AHN-04-04	1/4"-19	1/4"-18	12	15	31	17
AHN-06-06	3/8"-19	3/8"-18	13.5	16	37.5	22
AHN-08-08	1/2"-14	1/2"-14	16	19.5	45.5	27
AHN-12-12	3/4"-14	3/4"-14	18.5	19.5	49	32
AHN-16-16	1"-11	1"-11.5	20.5	25.5	59	41
AHN-20-20	1.1/4"-11	1.1/4"-11.5	20.5	26.5	62	50

STRAIGHT CONNECTORS

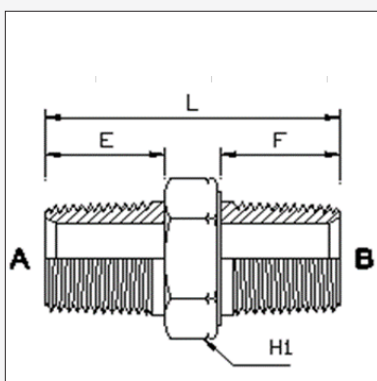


D SERIES BSPT MALE x BSPT MALE



Product Code	Thread		Dimensions mm			
	E (BSPT)	F (BSPT)	A	B	L	S1
D-02-02	1/8" - 28	1/8" - 28	10	10	26	12
D-04-02	1/4" - 19	1/8" - 28	14.5	10	30.5	17
D-04-04	1/4" - 19	1/4" - 19	14.5	14.5	34	17
D-06-02	3/8" - 19	1/8" - 28	15	10	31	19
D-06-04	3/8" - 19	1/4" - 19	15	14.5	35	19
D-06-06	3/8" - 19	3/8" - 19	15	15	36	19
D-08-04	1/2" - 14	1/4" - 19	20	15	43	22
D-08-06	1/2" - 14	3/8" - 19	20	15	43	22
D-08-08	1/2" - 14	1/2" - 14	20	20	46	22
D-10-08	5/8" - 14	1/2" - 14				
D-10-10	5/8" - 14	5/8" - 14	19	19	46	24
D-12-04	3/4" - 14	1/4" - 19	20	15	45	30
D-12-06	3/4" - 14	3/8" - 19	20	15	44.5	30
D-12-08	3/4" - 14	1/2" - 14	20	20	48	30
D-12-10	3/4" - 14	5/8" - 14				
D-12-12	3/4" - 14	3/4" - 14	20	20	48	30
D-16-06	1" - 11	3/8" - 19	25.5	16	51.5	36
D-16-08	1" - 11	1/2" - 14	25.5	20	56.5	36
D-16-12	1" - 11	3/4" - 14	25.5	20	55.5	36
D-16-16	1" - 11	1" - 11	25.5	25.5	61	36
D-20-12	1.1/4" - 11	3/4" - 14	26.5	20	58.5	46
D-20-16	1.1/4" - 11	1" - 11	26.5	26.5	64.5	46
D-20-20	1.1/4" - 11	1.1/4" - 11	26.5	26.5	65.5	46
D-24-16	1.1/2" - 11	1" - 11	26.5	25.5	66	50
D-24-20	1.1/2" - 11	1.1/4" - 11	26.5	26.5	67	50
D-24-24	1.1/2" - 11	1.1/2" - 11	26.5	26.5	67	50
D-32-24	2" - 11	1.1/2" - 11	30	26.5	71.5	65
D-32-32	2" - 11	2" - 11	30	30	75	65

DN SERIES BSPT MALE X NPT MALE



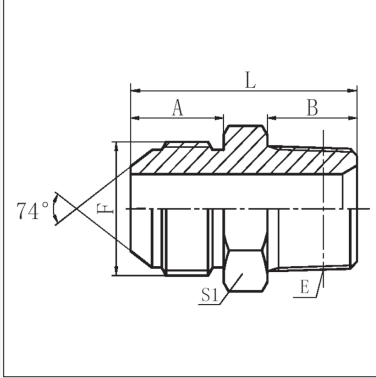
Product Code	Thread		Dimensions mm			
	A (BSPT)	B (NPT)	L	E	F	H1
DN-02-02	1/8"-28	1/8"-27	26	10	10	12
DN-04-04	1/4"-19	1/4"-18	34	15	15	14
DN-06-06	3/8"-19	3/8"-19	38	15	15	19
DN-08-08	1/2"-14	1/2"-14	47	19	20	22
DN-12-12	3/4"-12	3/4"-12	51	20	20	27
DN-16-16	1"-11	1"-11	62	25	25	38
DN-20-20	1.1/4"-11	1.1/4"-11	65	27	26	46
DN-24-24	1.1/2"-11	1.1/2"-11	67	27	26	50
DN-32-32	2"-11	2"-11	74	30	27	65

STRAIGHT CONNECTORS



F SERIES

BSPT MALE x JIC MALE



Product Code	Thread		Dimensions mm			
	E (BSPT)	F (JIC)	A	B	L	S1
F-02-07	1/8" - 28	7/16" - 20	14	10	30	12
F-02-08	1/8" - 28	1/2" - 20				
F-02-09	1/8" - 28	9/16" - 18	14.1	10.5	30.5	17
F-04-07	1/4" - 19	7/16" - 20	14	14.5	34.5	17
F-04-08	1/4" - 19	1/2" - 20	14	14.5	34	17
F-04-09	1/4" - 19	9/16" - 18	14.1	14.5	34	17
F-04-10	1/4" - 19	5/8" - 18 †				
F-04-12	1/4" - 19	3/4" - 16	16.7	14.5	39	22
F-06-07	3/8" - 19	7/16" - 20	14	15	35	19
F-06-08	3/8" - 19	1/2" - 20	14	15	35	19
F-06-09	3/8" - 19	9/16" - 18	14.1	15	34	19
F-06-10	3/8" - 19	5/8" - 18 †				
F-06-12	3/8" - 19	3/4" - 16	16.7	15	39	22
F-06-14	3/8" - 19	7/8" - 14	19.3	15	42.5	24
F-06-17	3/8" - 19	1.1/16" - 12	21.9	15.5	47	30
F-08-07	1/2" - 14	7/16" - 20	14	20	41	24
F-08-09	1/2" - 14	9/16" - 18	14.1	20	41	22
F-08-10	1/2" - 14	5/8" - 18 †				
F-08-12	1/2" - 14	3/4" - 16	16.7	20	44.5	22
F-08-14	1/2" - 14	7/8" - 14	19.3	20	46.5	24
F-08-17	1/2" - 14	1.1/16" - 12	21.9	20	51	30
F-08-21	1/2" - 14	1.5/16" - 12	23	23	59	36
F-12-09	3/4" - 14	9/16" - 18	14.1	20	43.5	30
F-12-12	3/4" - 14	3/4" - 16	16.7	20	46	30
F-12-14	3/4" - 14	7/8" - 14	19.3	20	48.5	30
F-12-17	3/4" - 14	1.1/16" - 12	21.9	20	51	30
F-12-19	3/4" - 14	1.3/16" - 12	22.6	20	52.5	32
F-12-21	3/4" - 14	1.5/16" - 12	23.1	20	53	36
C-16-14	1" - 11	7/8" - 14	19.3	18	49	41
F-16-12	1" - 11	3/4" - 16	16.7	25.5	52	36
F-16-14	1" - 11	7/8" - 14	19.3	25.5	54.5	36
F-16-17	1" - 11	1.1/16" - 12	21.9	25.5	57.5	36
F-16-19	1" - 11	1.3/16" - 12	22.6	25.5	58.5	36
F-16-21	1" - 11	1.5/16" - 12	23.1	25.5	59	36
F-16-26	1" - 11	1.5/8" - 12	24.3	25.5	62.5	46
F-20-17	1.1/4" - 11	1.1/16" - 12	21.9	26.5	61.5	46
F-20-21	1.1/4" - 11	1.5/16" - 12	23.1	26.5	61.5	46
F-20-26	1.1/4" - 11	1.5/8" - 12	24.3	26.5	63	46
F-20-30	1.1/4" - 11	1.7/8" - 12	27.5	26.5	67.5	50
F-24-21	1.1/2" - 11	1.5/16" - 12	23.1	26.5	64.5	50
F-24-26	1.1/2" - 11	1.5/8" - 12	24.3	26.5	66.5	50
F-24-30	1.1/2" - 11	1.7/8" - 12	27.5	26.5	69.5	50
F-24-40	1.1/2" - 11	2.1/2" - 12	33.9	26.5	77.5	65

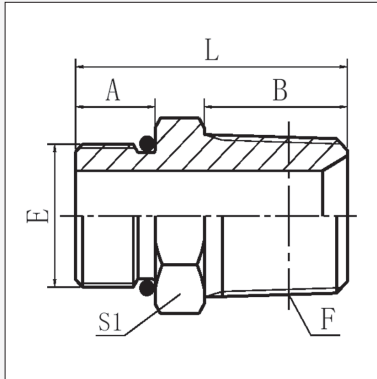
† SAE Thread Form

STRAIGHT CONNECTORS



H SERIES

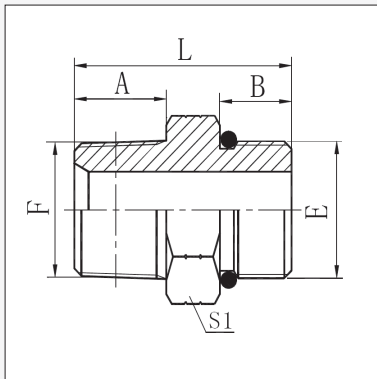
UN'O' MALE x BSPT MALE



Product Code	Thread		Dimensions mm			
	E (UN'O')	F (BSPT)	A	B	L	S1
H-07-04	7/16" - 20	1/4" - 19	9.2	14.9	29.7	15.8
H-09-04	9/16" - 18	1/4" - 19	9.93	14.5	30	19
H-09-06	9/16" - 18	3/8" - 19	9.93	15	30.5	19
H-09-08	9/16" - 18	1/2" - 20	9.93	20	34	22
H-12-04	3/4" - 16	1/4" - 19	11.13	14.5	33.5	22
H-12-06	3/4" - 16	3/8" - 19	11.13	15	34	22
H-12-08	3/4" - 16	1/2" - 20	11.13	20	38	22
H-14-04	7/8" - 14	1/4" - 19	12.7	14.5	35	27
H-14-06	7/8" - 14	3/8" - 19	12.7	15	37.5	27
H-14-08	7/8" - 14	1/2" - 14	12.7	20	42.5	27
H-17-08	1.1/16" - 12	1/2" - 14	15.09	20	46	32
H-17-12	1.1/16" - 12	3/4" - 14	15.09	20	46	32
H-17-16	1.1/16" - 12	1" - 11	15.09	25.5	51	32
H-21-08	1.5/16" - 12	1/2" - 14	15.09	20	46	32
H-21-12	1.5/16" - 12	3/4" - 14	15.09	20	46	38
H-21-16	1.5/16" - 12	1" - 11	15.09	25.5	51	38

HN SERIES

UN'O' MALE x NPT MALE



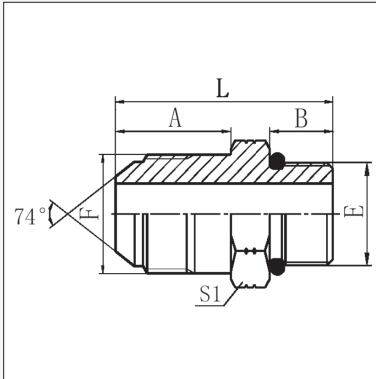
Product Code	Thread		Dimensions mm			
	E (UN'O')	F (NPT)	A	B	L	S1
HN-07-02	7/16" - 20	1/8" - 27	10.5	9.1	27.5	14
HN-12-04	3/4" - 16	1/4" - 18	14.5	11.5	34	22
HN-17-16	1.1/16" - 12	1" - 11	24.7	15.3	54.2	35
HN-21-16	1.5/16" - 12	1" - 11	25.5	15.1	52.8	38

STRAIGHT CONNECTORS



J SERIES

UN'O' MALE x JIC MALE



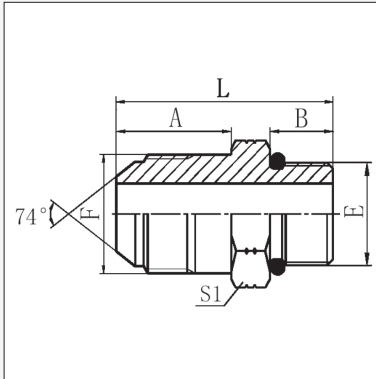
Product Code	Thread		Dimensions mm			
	E (UN'O')	F (JIC)	A	B	L	S1
J-07-07	7/16" - 20	7/16" - 20	14	9.14	29	14
J-07-08	7/16" - 20	1/2" - 20	14	9.14	29	14
J-07-09	7/16" - 20	9/16" - 18	14.1	9.14	29	17
J-08-07	1/2" - 20	7/16" - 20	14	9.14	29	17
J-08-08	1/2" - 20	1/2" - 20	14	9.14	29	17
J-08-09	1/2" - 20	9/16" - 18	14.1	9.14	29.5	17
J-09-07	9/16" - 18	7/16" - 20	14	9.93	30	17
J-09-08	9/16" - 18	1/2" - 20	14	9.93	30	17
J-09-09	9/16" - 18	9/16" - 18	14.1	9.93	30	17
J-09-12	9/16" - 18	3/4" - 16	16.7	9.93	35	22
J-09-14	9/16" - 18	7/8" - 14	19.3	9.93	37	24
J-12-07	3/4" - 16	7/16" - 20	14	11.13	33	22
J-12-08	3/4" - 16	1/2" - 20	14	11.13	33	22
J-12-09	3/4" - 16	9/16" - 18	14.1	11.13	33	22
J-12-12	3/4" - 16	3/4" - 16	16.7	11.13	36	22
J-12-14	3/4" - 16	7/8" - 14	19.3	11.13	39	24
J-12-17	3/4" - 16	1.1/16" - 12	21.9	11.13	43	30
J-14-09	7/8" - 14	9/16" - 18	14.1	12.7	37	27
J-14-12	7/8" - 14	3/4" - 16	16.7	12.7	40	27
J-14-14	7/8" - 14	7/8" - 14	19.3	12.7	42.5	27
J-14-17	7/8" - 14	1.1/16" - 12	21.9	12.7	45	30
J-17-07	1.1/16" - 12	7/16" - 20	14	15.09	40	32
J-17-09	1.1/16" - 12	9/16" - 18	14.1	15.09	40	32
J-17-12	1.1/16" - 12	3/4" - 16	16.7	15.09	43	32
J-17-14	1.1/16" - 12	7/8" - 14	19.3	11.13	39	24
J-17-17	1.1/16" - 12	1.1/16" - 12	21.9	15.09	48	32
J-17-19	1.1/16" - 12	1.3/16" - 12	22.6	15.09	48.5	32
J-17-21	1.1/16" - 12	1.5/16" - 12	21.9	15.09	48	38
J-19-12	1.3/16" - 12	3/4" - 16	16.7	15.09	43	36
J-19-14	1.3/16" - 12	7/8" - 14	19.3	15.09	45.5	36
J-19-17	1.3/16" - 12	1.1/16" - 12	21.9	15.09	48	36
J-19-19	1.3/16" - 12	1.3/16" - 12	22.6	15.09	48.5	36
J-19-21	1.3/16" - 12	1.5/16" - 12	22.6	15.09	50.5	38
J-21-12	1.5/16" - 12	3/4" - 16	16.7	15.09	42.5	38
J-21-14	1.5/16" - 12	7/8" - 14	19.3	15.09	45.5	38
J-21-17	1.5/16" - 12	1.1/16" - 12	21.9	15.09	48	38
J-21-19	1.5/16" - 12	1.3/16" - 12	22.6	15.09	50.5	38
J-21-21	1.5/16" - 12	1.5/16" - 12	23.1	15.09	49	38
J-21-26	1.5/16" - 12	1.5/8" - 12	24.3	15.09	52.5	46
J-26-17	1.5/8" - 12	1.1/16" - 12	21.9	15.09	52	50
J-26-21	1.5/8" - 12	1.5/16" - 12	23.1	15.09	53	50
J-26-26	1.5/8" - 12	1.5/8" - 12	24.3	15.09	54.5	50
J-26-30	1.5/8" - 12	1.7/8" - 12	27.5	15.09	57.5	50
J-30-26	1.7/8" - 12	1.5/8" - 12	24.3	15.09	54.5	55
J-30-30	1.7/8" - 12	1.7/8" - 12	27.5	15.09	57.5	55

STRAIGHT CONNECTORS



K SERIES

UN'O' MALE x JIC MALE EXT.

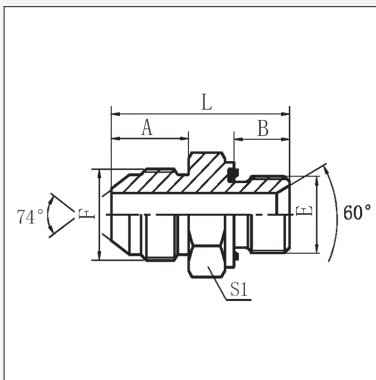


Product Code	Thread		Dimensions mm			
	E (UN'O')	F (JIC)	A	B	L	S1
K-07-07 †	7/16" - 20	7/16" - 20	35	9.1	50.5	14
K-08-08 †	1/2" - 20	1/2" - 20	37	9.1	52.5	17
K-09-09	9/16" - 18	9/16" - 18	39	9.9	55	17
K-12-12 †	3/4" - 16	3/4" - 16	48	11.1	67.5	22
K-14-14 †	7/8" - 14	7/8" - 14	53	12.7	76	27
K-17-17 †	1.1/16" - 12	1.1/16" - 12	63	15.1	89	32
K-21-21 †	1.5/16" - 12	1.5/16" - 12	72	15.1	100	38

† Non stocked, available on request

L SERIES

METRIC MALE x JIC MALE



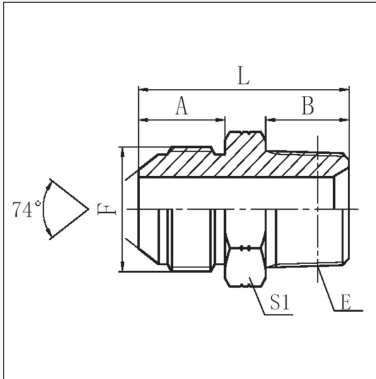
Product Code	Thread		Dimensions mm			
	E (METRIC)	F (JIC)	A	B	L	S1
L-10-07	M10 - 1	7/16" - 20	14	8	29.5	17
L-12-07	M12 - 1.5	7/16" - 20	14	10	31	17
L-12-09	M12 - 1.5	9/16" - 18	14	12	33.5	17
L-14-07	M14X1.5	7/16"X20	14	12	33.4	19
L-14-09	M14 - 1.5	9/16" - 18	14	12	34	19
L-14-12	M14 - 1.5	3/4" - 16	16.7	12	38.5	22
L-16-09	M16 - 1.5	9/16" - 18	14	12	36	22
L-16-12	M16 - 1.5	3/4" - 16	16.7	12	38.5	22
L-18-09	M18 - 1.5	9/16" - 18	14.1	12	36.5	24
L-18-12	M18 - 1.5	3/4" - 16	16.7	12	39	24
L-18-14	M18 - 1.5	7/8" - 14	19.3	12	41.5	24
L-18-17	M18 - 1.5	1.1/16" - 12	21.9	12	46.5	30
L-20-09	M20 - 1.5	9/16" - 18	14.1	14	40.5	27
L-20-12	M20 - 1.5	3/4" - 16	16.7	14	43	27
L-20-14	M20 - 1.5	7/8" - 14	19.3	14	45.5	27
L-22-12	M22 - 1.5	3/4" - 16	16.7	14	43.5	27
L-22-14	M22 - 1.5	7/8" - 14	19.3	14	46	27
L-22-17	M22 - 1.5	1.1/16" - 12	21.9	14	48.5	30
L-26-17	M26 - 1.5	1.1/16" - 12	21.9	16	52	32
L-26-21	M26 - 1.5	1.5/16" - 12	23.1	16	53	36
L-27-17	M27 - 2	1.1/16" - 12	21.9	16	52	32
L-33-17	M33 - 2	1.1/16" - 12	21.9	18	52	38
L-33-21	M33 - 2	1.5/16" - 12	23.1	18	57	41
L-33-26	M33 - 2	1.5/8" - 12	24.3	18	58.2	46
L-42-26	M42 - 2	1.5/8" - 12	24.3	20	62	50
L-42-30	M42 - 2	1.7/8" - 12	27.5	20	64	50
L-48-26	M48 - 2	1.5/8" - 12	24.3	22	67.5	55
L-48-30	M48 - 2	1.7/8" - 12	27.5	22	67.5	55

STRAIGHT CONNECTORS



M SERIES

NPTF MALE x JIC MALE



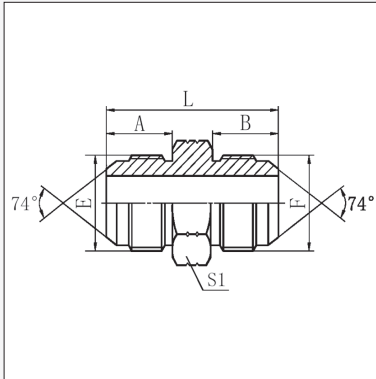
Product Code	Thread		Dimensions mm			
	E (NPTF)	F (JIC)	A	B	L	S1
M-02-07	1/8" - 27	7/16" - 20	14	10	30.5	12
M-02-08	1/8" - 27	1/2" - 20	14	10.5	30.5	14
M-02-09	1/8" - 27	9/16" - 18	14.1	10.5	30.5	17
M-04-07	1/4" - 18	7/16" - 20	14	15	35	17
M-04-08	1/4" - 18	1/2" - 20	14	15	35	17
M-04-09	1/4" - 18	9/16" - 18	14.1	15	34.5	17
M-04-10 †	1/4" - 18	5/8" - 18 †				
M-04-12	1/4" - 18	3/4" - 16	16.7	15	39	22
M-06-07	3/8" - 18	7/16" - 20	14	15	36	19
M-06-08	3/8" - 18	1/2" - 20	14	15	35	19
M-06-09	3/8" - 18	9/16" - 18	14.1	16	36	19
M-06-10 †	3/8" - 18	5/8" - 18 †				
M-06-12	3/8" - 18	3/4" - 16	16.7	16	40	22
M-06-14	3/8" - 18	7/8" - 14	19.3	16	43.5	24
M-06-17	3/8" - 18	1.1/16" - 12	21.9	16	48	30
M-08-07	1/2" - 14	7/16" - 20	14	19.5	40	22
M-08-09	1/2" - 14	9/16" - 18	14.1	19.5	41.5	22
M-08-10	1/2" - 14	5/8" - 18 †				
M-08-12	1/2" - 14	3/4" - 16	16.7	19.5	44	24
M-08-14	1/2" - 14	7/8" - 14	19.3	19.5	47	24
M-08-17	1/2" - 14	1.1/16" - 12	21.9	19.5	51	30
M-12-09	3/4" - 14	9/16" - 18	15	19.5	44.5	30
M-12-12	3/4" - 14	3/4" - 16	16.7	19.5	46.5	30
M-12-14	3/4" - 14	7/8" - 14	19.3	19.5	49	30
M-12-17	3/4" - 14	1.1/16" - 12	21.9	19.5	51.5	30
M-12-19	3/4" - 14	1.3/16" - 12	22.6	19.5	53	32
M-12-21	3/4" - 14	1.5/16" - 12	23.1	19.5	53.5	36
M-16-17	1" - 11.5	1.1/16" - 12	21.9	25.5	58.5	36
M-16-19	1" - 11.5	1.3/16" - 12				
M-16-21	1" - 11.5	1.5/16" - 12	23.1	25.5	58.5	36
M-16-26	1" - 11.5	1.5/8" - 12	24.3	25.5	63	46
M-20-21	1.1/4" - 11.5	1.5/16" - 12	23.1	26.5	62.5	46
M-20-26	1.1/4" - 11.5	1.5/8" - 12	24.3	26.5	63.5	46
M-20-30	1.1/4" - 11.5	1.7/8" - 12	27.5	26.5	69	50
M-24-26	1.1/2" - 11.5	1.5/8" - 12	24.3	27.5	67	50
M-24-30	1.1/2" - 11.5	1.7/8" - 12	27.5	27.5	70	50
M-24-40	1.1/2" - 11.5	2.1/2" - 12	33.9	27.5	78.5	65
M-32-30	2" - 11.5	1.7/8" - 12	27.5	27.5	78.5	65
M-32-40	2" - 11.5	2.1/2" - 12	33.9	27.5	80	65

† SAE Thread Form

STRAIGHT CONNECTORS



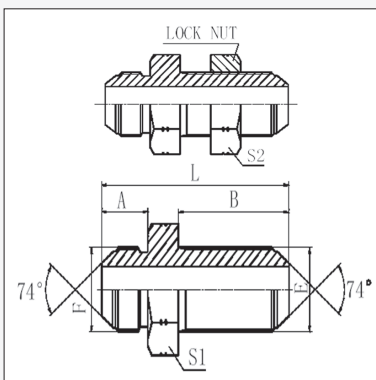
P SERIES JIC MALE x JIC MALE



Product Code	Thread		Dimensions mm				
	E (JIC)	F (JIC)	A	B	L	S1	
P-07-07	7/16" - 20	7/16" - 20	14	14	34	12	
P-08-08	1/2" - 20	1/2" - 20	14	14	34	14	
P-09-07	9/16" - 18	7/16" - 20	14.1	14	34.1	17	
P-09-09	9/16" - 18	9/16" - 18	14.4	14.1	34.2	17	
P-10-10 †	5/8" - 18	5/8" - 18 †					
P-12-07	3/4" - 16	7/16" - 20	16.7	14	38.5	22	
P-12-09	3/4" - 16	9/16" - 18	16.7	14.1	38.5	22	
P-12-12	3/4" - 16	3/4" - 16	16.7	16.7	42	22	
P-14-09	7/8" - 14	9/16" - 18	19.3	14.1	41.5	24	
P-14-12	7/8" - 14	3/4" - 16	19.3	16.7	44	24	
P-14-14	7/8" - 14	7/8" - 18	19.3	19.3	46.5	24	
P-17-09	1.1/16" - 12	9/16" - 18	21.9	14.1	46	30	
P-17-12	1.1/16" - 12	3/4" - 16	21.9	16.7	48.5	30	
P-17-14	1.1/16" - 12	7/8" - 14	21.9	19.3	51	30	
P-17-17	1.1/16" - 12	1.1/16" - 12	21.9	21.9	54	30	
P-19-19	1.3/16" - 12	1.3/16" - 12	22.6	22.6	56	32	
P-21-14	1.5/16" - 12	7/8" - 14	23.1	19.3	53.5	36	
P-21-17	1.5/16" - 12	1.1/16" - 12	23.1	21.9	56	36	
P-21-19	1.5/16" - 12	1.3/16" - 12	23.1	22.6	56.5	36	
P-21-21	1.5/16" - 12	1.5/16" - 12	23.1	23.1	57	36	
P-26-21	1.5/8" - 12	1.5/16" - 12	24.3	23.1	60.5	46	
P-26-26	1.5/8" - 12	1.5/8" - 12	24.3	24.3	62	46	
P-30-30	1.7/8" - 12	1.7/8" - 12	27.5	27.5	70	50	
P-40-40	2.1/2" - 12	2.1/2" - 12	33.9	33.9	85	65	

† SAE Thread Form

R SERIES JIC MALE x JIC MALE BULKHEAD



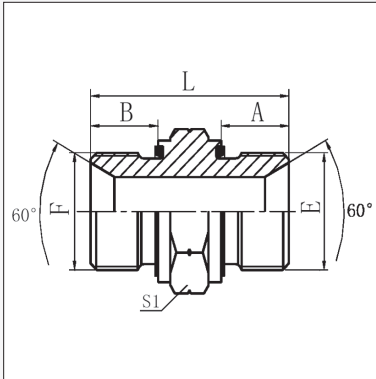
Product Code	Thread		Dimensions mm				
	E (JIC)	F (JIC)	A	B	L	S1	S2
R-07-07	7/16" - 20	7/16" - 20	14	32.5	52.5	17	17
R-08-08	1/2" - 20	1/2" - 20	14	32.5	52.5	19	19
R-09-09	9/16" - 18	9/16" - 18	14.1	32.5	54.5	22	22
R-10-10 †	5/8" - 18	5/8" - 18	15.7	36.0	60	24	24
R-12-12	3/4" - 16	3/4" - 16	16.7	36.5	61.5	24	24
R-14-14	7/8" - 14	7/8" - 14	19.3	40	69.5	30	30
R-17-17	1.1/16" - 12	1.1/16" - 12	21.9	44.5	78.5	36	36
R-21-21	1.5/16" - 12	1.5/16" - 12	23.1	44.5	79.8	41	41
R-26-26	1.5/8" - 12	1.5/8" - 12	24.3	45.7	84	50	50
R-30-30	1.7/8" - 12	1.7/8" - 12	27.5	46	89.5	55	55

† SAE Thread Form

STRAIGHT CONNECTORS

**AH** SERIES

BSPP MALE x BSPP MALE

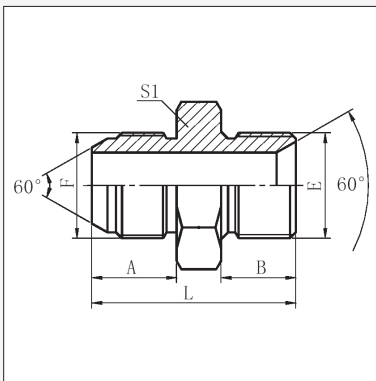


Product Code	Thread		Dimensions mm			
	E (BSPP)	F (BSPP)	A	B	L	S1
AH-02-02	1/8" - 28	1/8" - 28	7.8	7.8	25.5	14
AH-04-02	1/4" - 19	1/8" - 28	12	8	29.5	19
AH-04-04	1/4" - 19	1/4" - 19	12	12	34	19
AH-06-04	3/8" - 19	1/4" - 19	12	12	34.5	22
AH-06-06	3/8" - 19	3/8" - 19	12	12	37	22
AH-08-04	1/2" - 14	1/4" - 19	14	12	39	27
AH-08-06	1/2" - 14	3/8" - 19	14	13.5	40.5	27
AH-08-08	1/2" - 14	1/2" - 14	14	14	44	27
AH-12-04	3/4" - 14	1/4" - 19	16	12	42	32
AH-12-06	3/4" - 14	3/8" - 19	16	12	42.5	32
AH-12-08	3/4" - 14	1/2" - 14	16	16	46	32
AH-12-12	3/4" - 14	3/4" - 14	16	16	47	32
AH-16-08	1" - 11	1/2" - 14	18	14	51	41
AH-16-12	1" - 11	3/4" - 14	18	18.5	52.5	41
AH-16-16	1" - 11	1" - 11	18	18	55	41
AH-20-16	1.1/4" - 11	1" - 11	20.5	20	58.5	50
AH-20-20	1.1/4" - 11	1.1/4" - 11	20	20	61	50
AH-24-20	1.1/2" - 11	1.1/4" - 11	22	20.5	60.5	55
AH-24-24	1.1/2" - 11	1.1/2" - 11	22	22	65	55
AH-32-24	2" - 11	1.1/2" - 11	22	22	66	75
AH-32-32*	2" - 11	2" - 11	22	22	66	70

* Encapsulated seal one end only

AM SERIES

BSPP MALE x JIS (BSPP) MALE



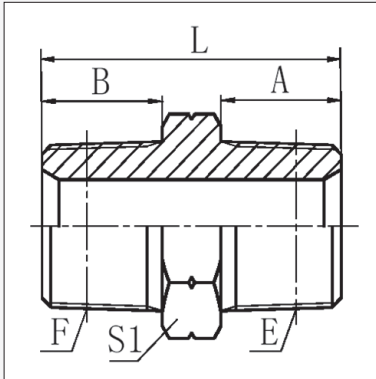
Product Code	Thread		Dimensions mm			
	E (BSPP)	F (JISBSPP)	A	B	L	S1
AM-04-04	1/4" x 19	1/4" x 19	16	12	34	19
AM-06-06	3/8" x 19	3/8" x 19	18	13.5	39.5	22
AM-08-08	1/2" x 14	1/2" x 14	20	16	46	27
AM-12-12	3/4" - 14	3/4" - 14	22	18	51.5	32
AM-16-16	1" x 11	1" x 11	24	20.5	57.5	41

STRAIGHT CONNECTORS



AN / ANHD SERIES

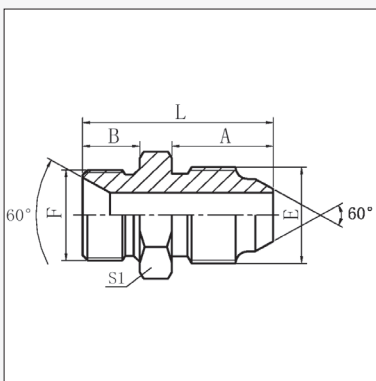
NPTF MALE x NPTF MALE



Product Code	Thread		Dimensions mm				
	E (NPTF)	F (NPTF)	A	B	L	S1	
AN-02-02	1/8" - 27	1/8" - 27	10.5	10.5	27	12	
AN-04-02	1/4" - 18	1/8" - 27	15	10.5	31	17	
AN-04-04	1/4" - 18	1/4" - 18	15	15	36	17	
AN-06-04	3/8" - 18	1/4" - 18	16	15	37	19	
AN-06-06	3/8" - 18	3/8" - 18	16	16	38	19	
AN-08-04	1/2" - 14	1/4" - 18	19.5	15	41.5	22	
AN-08-06	1/2" - 14	3/8" - 18	19.5	16	43.5	22	
AN-08-08	1/2" - 14	1/2" - 14	19.5	19.5	47	22	
AN-12-04	3/4" - 14	1/4" - 18	19.5	15	43.5	30	
AN-12-06	3/4" - 14	3/8" - 18	19.5	16	45.5	30	
AN-12-08	3/4" - 14	1/2" - 14	19.5	19.5	49	30	
AN-12-12	3/4" - 14	3/4" - 14	19.5	19.5	49	30	
AN-16-08	1" - 11.5	1/2" - 14	25.5	19.5	56	36	
AN-16-12	1" - 11.5	3/4" - 14	25.5	19.5	55	36	
AN-16-16	1" - 11.5	1" - 11.5	25.5	25.5	62	36	
AN-20-16	1.1/4" - 11.5	1" - 11.5	26.5	25.5	64	46	
AN-20-20	1.1/4" - 11.5	1.1/4" - 11.5	26.5	26.5	66	46	
AN-24-16	1.1/2" - 11.5	1" - 11.5					
AN-24-20	1.1/2" - 11.5	1.1/4" - 11.5	27.5	26.5	69	50	
AN-24-24	1.1/2" - 11.5	1.1/2" - 11.5	27.5	27.5	70	50	
AN-32-24	2" - 11.5	1.1/2" - 11.5	27.5	27.5	72	65	
AN-32-32	2" - 11.5	2" - 11.5	27.5	27.5	72	65	
HEAVY DUTY 10,000 PSI (700 BAR) HIGH PRESSURE SERIES							
ANHD-04-04	1/4" - 18	1/4" - 18	15	15	38	16	
ANHD-06-06	3/8" - 18	3/8" - 18	15	15	38	19	

KA SERIES

JIS (METRIC) MALE x BSPP MALE

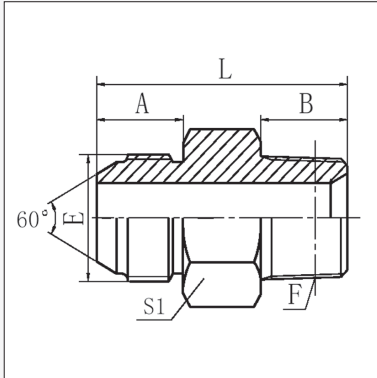


Product Code	Thread		Dimensions mm				
	E (METRIC)	F (BSPP)	A	B	L	S1	
KA-14-04	M14 - 1.5	1/4" - 19	15.5	12	33.5	19	
KA-18-06	M18 - 1.5	3/8" - 19	18	13.5	39.5	22	
KA-22-06	M22 - 1.5	3/8" - 19	20	13.5	41.5	24	
KA-22-08	M22 - 1.5	1/2" - 14	20	16	46	27	
KA-24-08	M24 - 1.5	1/2" - 14	22	16	48	27	
KA-24-12	M24 - 1.5	3/4" - 14	22	18.5	51.5	32	

STRAIGHT CONNECTORS

**KF** SERIES

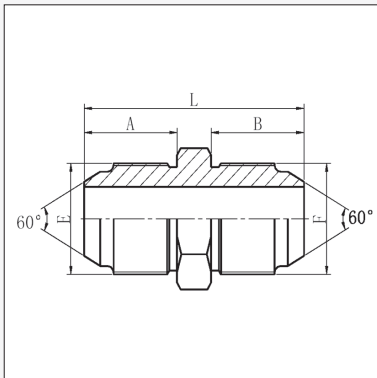
JIS METRIC MALE x BSPT MALE



Product Code	Thread		Dimensions mm			
	E (METRIC)	F (BSPT)	A	B	L	S1
KF-14-04	M14 - 1.5	1/4" - 19	17	14.5	37.5	17
KF-14-06	M14 - 1.5	3/8" - 19	17	15	38	19
KF-16-06	M16 - 1.5	3/8" - 19	18	15	38	19
KF-18-06	M18 - 1.5	3/8" - 19	18	15	38	19
KF-20-06	M20 - 1.5	3/8" - 19	20	15	43	22
KF-22-06	M22 - 1.5	3/8" - 19	20	15	43	24
KF-22-08	M22 - 1.5	1/2" - 14	20	20	48	24
KF-24-08	M24 - 1.5	1/2" - 14	21.5	20	51.5	27
KF-24-12	M24 - 1.5	3/4" - 14	21.5	20	51.5	30
KF-30-12	M30 - 1.5	3/4" - 14	26	20	57	32
KF-33-16	M33 - 1.5	1" - 11	30	25.5	66.5	36

KP SERIES

JIS METRIC MALE x JIS METRIC MALE



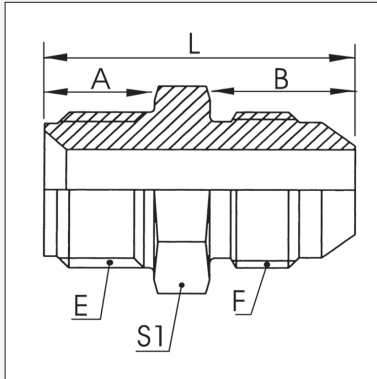
Product Code	Thread		Dimensions mm			
	E (METRIC)	F (METRIC)	A	B	L	S1
KP-14-14	M14 - 1.5	M14 - 1.5	17	17	40	17
KP-16-16	M16 - 1.5	M16 - 1.5	18	18	42	19
KP-18-18	M18 - 1.5	M18 - 1.5	18	18	42	19
KP-20-20	M20 - 1.5	M20 - 1.5	20	20	48	22
KP-22-22	M22 - 1.5	M22 - 1.5	20	20	48	24
KP-24-24	M24 - 1.5	M24 - 1.5	21.5	21.5	53	27
KP-30-30	M30 - 1.5	M30 - 1.5	26	26	63	32
KP-33-33	M33 - 1.5	M33 - 1.5	30	30	71	36

STRAIGHT CONNECTORS



PS SERIES

SAE INVERTED FLARE x JIC MALE

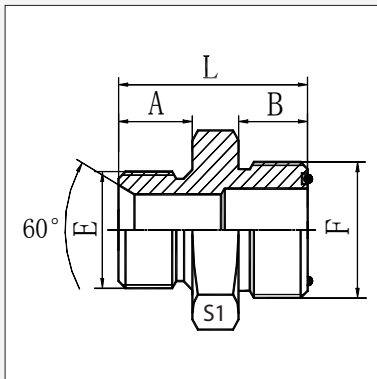


Product Code	Thread		Dimensions mm			
	E(SAEFlare)	F (JIC)	A	B	L	S1
PS-06-07	3/8" - 24	7/16" - 20	9	14	30	12
PS-07-07	7/16" - 24	7/16" - 20	9	14	30	12
PS-08-08	1/2" - 20	1/2" - 20	10	14	31	14.3
PS-08-09	1/2" - 20	9/16" - 18	10	14	31	17.5
PS-08-10 †	1/2" - 20	5/8" - 18 †	10	16	32	17.5
PS-10-09	5/8" - 18	9/16" - 18	10	14	31	17.5
PS-10-10 †	5/8" - 18	5/8" - 18 †	10	16	33	17.5
PS-10-12	5/8" - 18	3/4" - 16	10	17	35	22.2
PS-11-12	11/16" - 18	3/4" - 16	13	17	37	22.2
PS-12-12	3/4" - 18	3/4" - 16	13	17	37	22.2

† SAE Thread Form

FF1201 SERIES

BSPM MALE x ORFS MALE



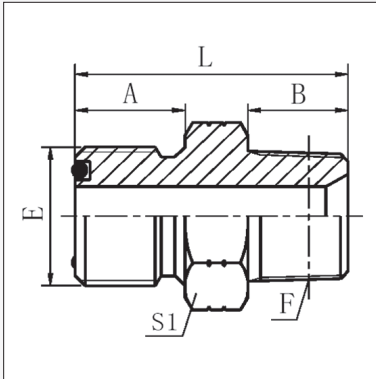
Product Code	Thread		Dimensions mm			
	E (BSPM)	F (ORFS)	A	B	L	S1
FF1201-0204	1/8" - 19	9/16" - 18	8	26	26	17
FF1201-0404	1/4" - 19	9/16" - 18	12	10	31	19
FF1201-0406	1/4" - 19	11/16" - 16	12	11	32	19
FF1201-0408	1/4" - 19	13/16" - 16	12	13	37	19
FF1201-0604	3/8" - 19	9/16" - 18	12	10	31.5	22
FF1201-0606	3/8" - 19	11/16" - 16	12	11	33.5	22
FF1201-0608	3/8" - 19	13/16" - 16	12	13	34.5	22
FF1201-0806	1/2" - 14	11/16" - 16	14	11	38.5	22
FF1201-0808	1/2" - 14	13/16" - 16	14	13	40	27
FF1201-0810	1/2" - 14	1" - 14	14	15.5	41	27
FF1201-0812	1/2" - 14	1.3/16" - 12	14	17	48.5	27
FF1201-1208	3/4" - 14	13/16" - 16	16	12	43	32
FF1201-1210	3/4" - 14	1" - 14	16	15.5	44.5	32
FF1201-1212	3/4" - 14	1.3/16" - 12	16	17	46	32
FF1201-1612	1" - 11	1.3/16" - 12	17	16	47	41
FF1201-1616	1" - 11	1.7/16" - 12	18	17.5	50	41
FF1201-2016	1.1/4" - 11	1.7/16" - 12	20	18	55	50
FF1201-2020	1.1/4" - 11	1.11/16" - 12	20	17.5	54	50
FF1201-2424	1.1/2" - 11	2" - 12	22	17.5	57.5	55

STRAIGHT CONNECTORS



FF1202 SERIES

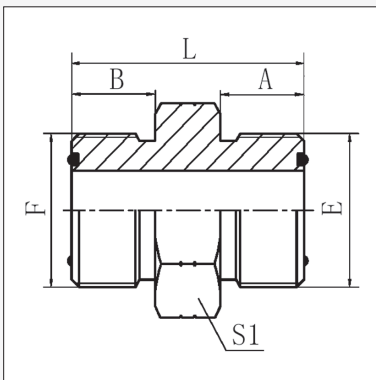
ORFS MALE x NPTF MALE



Product Code	Thread		Dimensions mm			
	E (ORFS)	F (NPT)	A	B	L	S1
FF1202-0402	9/16" - 18	1/8" - 27	9.8	10.5	26.5	17
FF1202-0404	9/16" - 18	1/4" - 18	9.8	15	30.5	17
FF1202-0406	9/16" - 18	3/8" - 18	9.8	16	30.5	19
FF1202-0602	11/16" - 16	1/8" - 27				
FF1202-0604	11/16" - 16	1/4" - 18	11.2	15	32	19
FF1202-0606	11/16" - 16	3/8" - 18	11.2	16	33.5	19
FF1202-0608	11/16" - 16	1/2" - 14	11.2	19.5	39	24
FF1202-0804	13/16" - 16	1/4" - 18	12.8	15	36	22
FF1202-0806	13/16" - 16	3/8" - 18	12.8	16	36.5	22
FF1202-0808	13/16" - 16	1/2" - 14	12.8	19.5	40	24
FF1202-0812	13/16" - 16	3/4" - 14	12.8	19.5	40	24
FF1202-1008	1" - 14	1/2" - 14	15.5	19.5	45	27
FF1202-1012	1" - 14	3/4" - 14	15.5	19.5	45	30
FF1202-1208	1.3/16" - 12	1/2" - 14	17	19.5	49	32
FF1202-1212	1.3/16" - 12	3/4" - 14	17	19.5	46.5	32
FF1202-1216	1.3/16" - 12	1" - 11.5	17	25.5	53.5	38
FF1202-1612	1.7/16" - 12	3/4" - 14	17.5	19.5	48	38
FF1202-1616	1.7/16" - 12	1" - 11.5	17.5	25.5	53.5	36
FF1202-1620	1.7/16" - 12	1.1/4" - 11.5	17.5	26.5	56.5	46
FF1202-2020	1.11/16" - 12	1.1/4" - 11.5	17.5	27.5	59.5	50
FF1202-2424	2" - 12	1.1/2" - 11.5	17.5	27.5	59.5	55

FF1204 SERIES

ORFS MALE x ORFS MALE

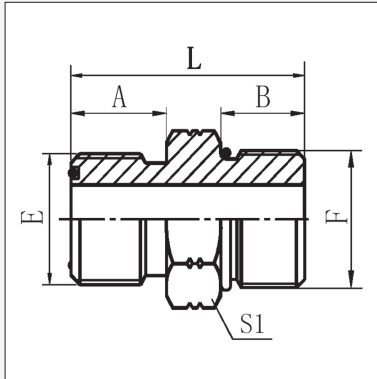


Product Code	Thread		Dimensions mm			
	E (ORFS)	F (ORFS)	A	B	L	S1
FF1204-0404	9/16" - 18	9/16" - 18	9.8	9.8	27.5	17
FF1204-0604	11/16" - 16	9/16" - 18	11.2	9.8	29.7	19
FF1204-0606	11/16" - 16	11/16" - 16	11.2	11.2	31.1	19
FF1204-0806	13/16" - 16	11/16" - 16	11.2	12.8	33.8	22
FF1204-0808	13/16" - 16	13/16" - 16	12.8	12.8	35.4	22
FF1204-1008	1" - 14	13/16" - 16	15.5	12.8	40	27
FF1204-1010	1" - 14	1" - 14	15.5	15.5	42.5	27
FF1204-1210	1.3/16" - 12	1" - 14	17	15.5	45.5	32
FF1204-1212	1.3/16" - 12	1.3/16" - 12	17	17	47.1	32
FF1204-1612	1.7/16" - 12	1.3/16" - 12	17.5	17	45.5	38
FF1204-1616	1.7/16" - 12	1.7/16" - 12	17.5	17.5	49.3	38
FF1204-2020	1.11/16" - 12	1.11/16" - 12	17.5	17.5	51.3	46
FF1204-2424	2" - 12	2" - 12	17.5	17.5	53	55

STRAIGHT CONNECTORS

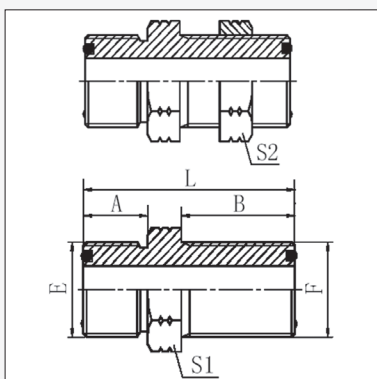


FF1231 SERIES ORFS MALE x UN'O' MALE



Product Code	Thread		Dimensions mm			
	E (ORFS)	F (UN'O')	A	B	L	S1
FF1231-0404	9/16" - 18	7/16" - 20	9.8	11	28.7	17
FF1231-0405	9/16" - 18	1/2" - 20	9.8	11	28.7	17
FF1231-0406	9/16" - 18	9/16" - 18	9.8	12	29.5	17
FF1231-0408	9/16" - 18	3/4" - 16	9.8	14	33.5	22
FF1231-0604	11/16" - 16	7/16" - 20	11.2	11	31	19
FF1231-0605	11/16" - 16	1/2" - 20	11.2	11	30.9	19
FF1231-0606	11/16" - 16	9/16" - 18	11.2	12	31.9	19
FF1231-0608	11/16" - 16	3/4" - 16	11.2	14	35	22
FF1231-0610	11/16" - 16	7/8" - 14	11.2	16	38.5	27
FF1231-0806	13/16" - 16	9/16" - 18	12.8	12	34.5	22
FF1231-0808	13/16" - 16	3/4" - 16	12.8	14	36.6	22
FF1231-0810	13/16" - 16	7/8" - 14	12.8	16	40.5	27
FF1231-0812	13/16" - 16	1.1/16" - 12	12.8	18.5	44.5	32
FF1231-0816	13/16" - 16	1.5/16" - 12	12.8	18.5	44.5	38
FF1231-1008	1" - 14	3/4" - 16	15.5	14	41	27
FF1231-1010	1" - 14	7/8" - 14	15.5	16	43.1	27
FF1231-1012	1" - 14	1.1/16" - 12	15.5	18.5	47	32
FF1231-1208	1.3/16" - 12	3/4" - 16	17	14	44	32
FF1231-1210	1.3/16" - 12	7/8" - 14	17	16	46	32
FF1231-1212	1.3/16" - 12	1.1/16" - 12	17	18.5	48.6	32
FF1231-1214	1.3/16" - 12	1.3/16" - 12				
FF1231-1216	1.3/16" - 12	1.5/16" - 12	17	18.5	49.8	38
FF1231-1612	1.7/16" - 12	1.1/16" - 12	17.5	18.5	50	38
FF1231-1616	1.7/16" - 12	1.5/16" - 12	17.5	18.5	50.3	38
FF1231-1620	1.7/16" - 12	1.5/8" - 12	17.5	18.5	52	50
FF1231-2016	1.11/16" - 12	1.5/16" - 12	17.5	18.5	52.3	50
FF1231-2020	1.11/16" - 12	1.5/8" - 12	17.5	18.5	52.3	50
FF1231-2024	1.11/16" - 12	1.7/8" - 12	17.5	18.5	52	55
FF1231-2420	2" - 12	1.5/8" - 12	17.5	18.5	54.1	55
FF1231-2424	2" - 12	1.7/8" - 12	17.5	18.5	54.1	55

FF1260LN SERIES ORFS MALE x ORFS MALE BULKHEAD



Product Code	Thread		Dimensions mm				
	E (ORFS)	F (ORFS)	A	B	L	S1	S2
FF1260LN-0404	9/16" - 18	9/16" - 18	9.8	31.5	48.2	22	22
FF1260LN-0606	11/16" - 16	11/16" - 16	11.2	34	53.2	27	27
FF1260LN-0808	13/16" - 16	13/16" - 16	12.8	36.5	58.3	30	30
FF1260LN-1010	1" - 14	1" - 14	15.5	40.6	66.6	36	36
FF1260LN-1212	1.3/16" - 12	1.3/16" - 12	17	41.7	69.2	38	38
FF1260LN-1616	1.7/16" - 12	1.7/16" - 12	17.5	42.2	70.2	46	46
FF1260LN-2020	1.11/16" - 12	1.11/16" - 12	17.5	42.2	70.2	50	50
FF1260LN-2424	2" - 12	2" - 12	17.5	42.2	70.2	60	60





SECTION 2 TEES / CROSSES

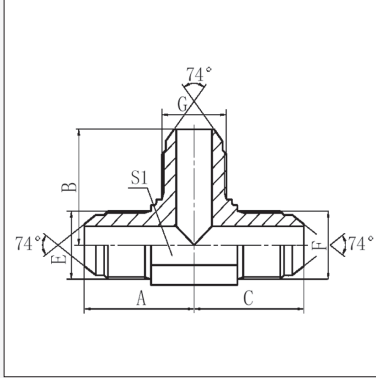
PAGE

CBA	JIC x JIC x JIC	M / M / M	D 19
CBB / CBBI	JIC x JIC x JIC	M / M / F _{SW}	D 19
CBH	JIC x JIC x JIC BULKHEAD	M / M / M	D 20
CBJ	JIC x JIC x BSPT	M / M / M	D 20
CBJP	JIC MALE x JIC MALE x BSPT MALE	M / M / M	D 20
CBJN	JIC x JIC x NPTF	M / M / M	D 21
CBM	JIC x JIC x UN'O'	M / M / M	D 21
CMA / CMAI	JIC x JIC x JIC	M / F _{SW} / M	D 22
CXA	JIC x JIC BULKHEAD X JIC	M / M / M	D 22
CTA	JIC x BSPT x JIC	M / M / M	D 23
CTAN	JIC x NPT x JIC	M / M / M	D 23
CTP	JIC x BSPP x JIC	M / M / M	D 23
CYA	JIC x UN'O' x JIC	M / M / M	D 24
EPD / EPDP	BSP x BSPP x BSP	M / F / M	D 24
EPF	BSPT x BSPT x BSPT	F / F / F	D 24
EPFFM	BSPP x BSPP x BSPT	F _{SW} / F _{SW} / M	D 25
EPFLF	BSPT x BSPT x BSPT	F / M / F	D 25
EPJ	BSPT x BSPT x BSPT	M / M / M	D 25
EPK / EPKHD	NPTF x NPTF x NPTF	F / F / F	D 26
EPKKL	NPTF / NPTF / NPTF	F / F / M	D 26
EPKLK	NPTF x NPTF x NPTF	F / M / F	D 26
EPP	BSPT x BSPP x BSPT	M / M / M	D 27
FF1220	ORFS x ORFS x ORFS	M / M / M	D 27
FF1221	ORFS x ORFS x NPTF	M / M / M	D 28
FF1265	ORFS x ORFS x UN'O'	M / M / M	D 28
FF1266	ORFS x UN'O' x ORFS	M / M / M	D 28
FF1248	ORFS x ORFS x ORFS	M / F _{SW} / M	D 29
FF1227	ORFS x ORFS x ORFS	M / M / F _{SW}	D 29
KMA	JIS MET x JIS MET x JIS MET	M / F _{SW} / M	D 29
KYA	JIS MET x JIS MET 'O' x JIS MET	M / M / M	D 30
MFBB/ MFFB/ MFJB/MFJU	TEST POINT ADAPTORS	M/F/M	D 30
FF1229	ORFS Cross	M/M/M/M	D30



CBA SERIES

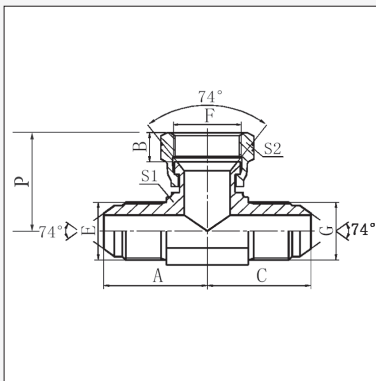
JIC MALE x JIC MALE x JIC MALE



Product Code	Thread			Dimensions mm					
	E (JIC)	F (JIC)	G (JIC)	A	B	C	S1		
CBA-07-07-07	7/16" - 20	7/16" - 20	7/16" - 20	24.5	24.5	24.5	11		
CBA-08-08-08	1/2" - 20	1/2" - 20	1/2" - 20	26	26	26	14		
CBA-09-09-09	9/16" - 18	9/16" - 18	9/16" - 18	26.9	26.9	26.9	14		
CBA-12-12-12	3/4" - 16	3/4" - 16	3/4" - 16	32	32	32	19		
CBA-12-12-14	3/4" - 16	3/4" - 16	7/8" - 14	34.8	37.8	34.8	22		
CBA-12-12-17	3/4" - 16	3/4" - 16	1.1/16" - 12	38	38	44.2	27		
CBA-14-14-14	7/8" - 14	7/8" - 14	7/8" - 14	37.8	37.8	37.8	22		
CBA-17-17-17	1.1/16" - 12	1.1/16" - 12	1.1/16" - 12	44.2	44.2	44.2	27		
CBA-17-17-21	1.1/16" - 12	1.1/16" - 12	1.5/16" - 12	46	46.5	46	33		
CBA-21-17-17	1.5/16" - 12	1.1/16" - 12	1.1/16" - 12	46	46	46	33		
CBA-21-21-21	1.5/16" - 12	1.5/16" - 12	1.5/16" - 12	49	49	49	33		
CBA-26-26-26	1.5/8" - 12	1.5/8" - 12	1.5/8" - 12	56.5	56.5	56.5	41		
CBA-30-30-30	1.7/8" - 12	1.7/8" - 12	1.7/8" - 12	63	63	63	48		

CBB SERIES

JIC MALE x JIC MALE x JIC FEMALE



Product Code	Thread			Dimensions mm					
	E (JIC)	F (JIC)	G (JIC)	A	B	C	S1	S2	P
CBB-07-07-07^a	7/16" - 20	7/16" - 20	7/16" - 20	22.5	9	22.5	11	15	25.5
CBB-08-08-08	1/2" - 20	1/2" - 20	1/2" - 20	24	9.5	24	14	17	27
CBB-09-09-09^a	9/16" - 18	9/16" - 18	9/16" - 18	27	10.5	27	14	19	32
CBB-10-10-10[†]	5/8" x 18	5/8" x 18	5/8" x 18	30	11.3	30	16	22	
CBB-12-12-12^a	3/4" - 16	3/4" - 16	3/4" - 16	31.5	11	31.5	19	24	35
CBB-14-14-14	7/8" - 14	7/8" - 14	7/8" - 14	36.5	14	36.5	22	27	41
CBB-17-17-17	1.1/16" - 12	1.1/16" - 12	1.1/16" - 12	42	15	42	27	32	44.5
CBB-21-21-21^a	1.5/16" - 12	1.5/16" - 12	1.5/16" - 12	46	16	46	33	41	51
CBB-26-26-26^a	1.5/8" - 12	1.5/8" - 12	1.5/8" - 12	52	17	52	41	50	59
CBB-30-30-30	1.7/8" - 12	1.7/8" - 12	1.7/8" - 12	59	20	59	48	55	66

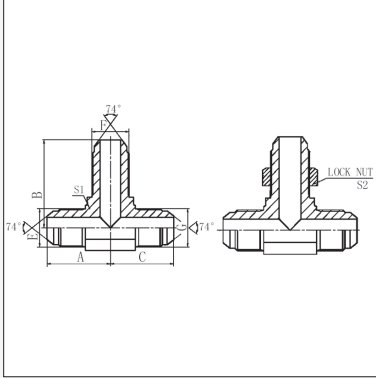
[†] SAE Thread Form

^a Also available with Imperial dimensioned hex nut. **Product Code CBB1**



CBH SERIES

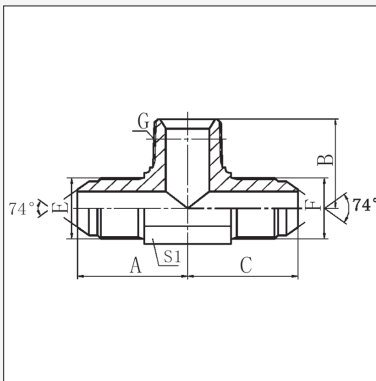
JIC MALE x JIC MALE x JIC MALE BULKHEAD



Product Code	Thread			Dimensions mm				
	E (JIC)	F (JIC)	G (JIC)	A	B	C	S1	S2
CBH-07-07-07	7/16" - 20	7/16" - 20	7/16" - 20	24.5	40.4	24.5	11	17
CBH-09-09-09	9/16" - 18	9/16" - 18	9/16" - 18	26.9	46	26.9	14	22
CBH-12-12-12	3/4" - 16	3/4" - 16	3/4" - 16	32	53.5	32	19	24
CBH-14-14-14	7/8" - 14	7/8" - 14	7/8" - 14	37.8	60.7	37.8	22	30
CBH-17-17-17	1.1/16" - 12	1.1/16" - 12	1.1/16" - 12	44.2	67.8	44.2	27	36
CBH-21-21-21	1.5/16" - 12	1.5/16" - 12	1.5/16" - 12	49	71	49	33	41

CBJ SERIES

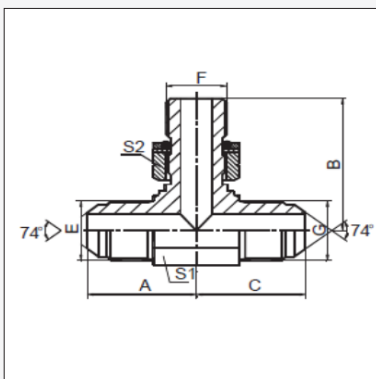
JIC MALE x JIC MALE x BSPT MALE



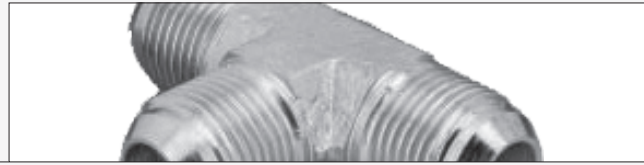
Product Code	Thread			Dimensions mm				
	E (JIC)	F (JIC)	G (BSPT)	A	B	C	S1	S2
CBJ-07-07-02	7/16" - 20	7/16" - 20	1/8" - 28	24.5	21	24.5	11	
CBJ-07-07-04	7/16" - 20	7/16" - 20	1/4" - 19	26.5	25.5	26.5	14	
CBJ-09-09-04	9/16" - 18	9/16" - 18	1/4" - 19	26.9	25.5	26.9	14	
CBJ-09-09-06	9/16" - 18	9/16" - 18	3/8" - 19	28.5	28.5	28.5	16	
CBJ-12-12-06	3/4" - 16	3/4" - 16	3/8" - 19	32	30.5	32	19	
CBJ-12-12-08	3/4" - 16	3/4" - 16	1/2" - 14	34.8	36	34.8	22	
CBJ-14-14-08	7/8" - 14	7/8" - 14	1/2" - 14	37.8	36	37.8	22	
CBJ-17-17-12	1.1/16" - 12	1.1/16" - 12	3/4" - 14	44.2	43.5	44.2	27	
CBJ-21-21-16	1.5/16" - 12	1.5/16" - 12	1" - 11	49	50	49	33	
CBJ-26-26-20	1.5/8" - 12	1.5/8" - 12	1.1/4" - 11	55.5	56.5	55.5	41	

CBJP SERIES

JIC MALE x JIC MALE x BSPP MALE

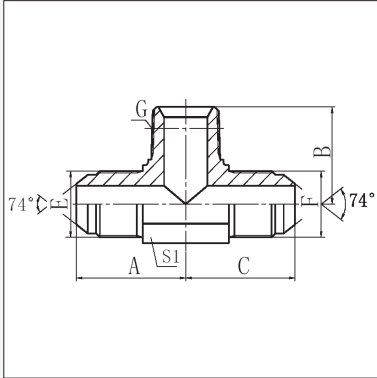


Product Code	Thread			Dimensions (mm)				
	E (JIC)	G (JIC)	F (BSPP)	A	B	C	S1	S2
CBJP-09-09-04	9/16"-18	9/16"-18	1/4"-19	37	31	27	14	19



CBJN SERIES

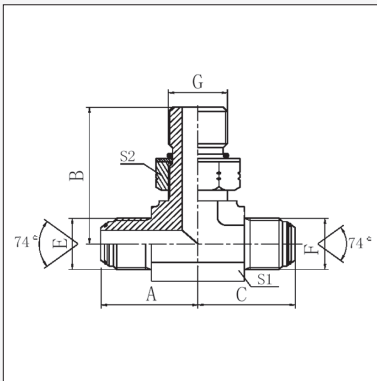
JIC MALE x JIC MALE x NPT MALE



Product Code	Thread			Dimensions mm				
	E (JIC)	F (JIC)	G (NPT)	A	B	C	S1	
CBJN-07-07-02	7/16" - 20	7/16" - 20	1/8" - 27	24.5	21	24.5	11	
CBJN-07-07-04	7/16" - 20	7/16" - 20	1/4" - 18	26.6	25.5	26.6	14	
CBJN-09-09-04	9/16" - 18	9/16" - 18	1/4" - 18	26.9	25.5	26.9	14	
CBJN-09-09-06	9/16" - 18	9/16" - 18	3/8" - 18	30	31	30	19	
CBJN-12-12-06	3/4" - 16	3/4" - 16	3/8" - 18	32	31	32	19	
CBJN-12-12-08	3/4" - 16	3/4" - 16	1/2" - 14	34.8	37.3	34.8	22	
CBJN-14-14-08	7/8" - 14	7/8" - 14	1/2" - 14	37.8	36.7	37.8	22	
CBJN-17-17-12	1.1/16" - 12	1.1/16" - 12	3/4" - 14	44.2	44	44.2	27	
CBJN-21-21-16	1.5/16" - 12	1.5/16" - 12	1" - 11.5	49	50	49	33	

CBM SERIES

JIC MALE x JIC MALE x UN'O' MALE

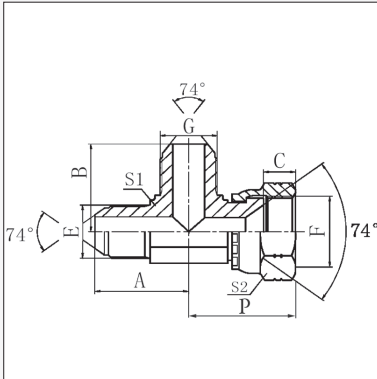


Product Code	Thread			Dimensions mm					
	E (JIC)	F (JIC)	G (UN'O')	A	B	C	S1	S2	
CBM-07-07-07	7/16" - 20	7/16" - 20	7/16" - 20	24.5	27.2	24.5	11	17	
CBM-09-09-09	9/16" - 18	9/16" - 18	9/16" - 18	26.9	31.8	26.9	14	19	
CBM-12-12-09	3/4" - 16	3/4" - 16	9/16" - 18						
CBM-12-12-12	3/4" - 16	3/4" - 16	3/4" - 16	33	36.8	33	19	24	
CBM-12-12-14	3/4" - 16	3/4" - 16	7/8" - 14	34.5	43	34.5	22	26	
CBM-14-14-14	7/8" - 14	7/8" - 14	7/8" - 14	37.8	44	37.8	22	27	
CBM-17-17-17	1.1/16" - 12	1.1/16" - 12	1.1/16" - 12	44.2	51	44.2	27	32	
CBM-21-21-17	1.5/16" - 12	1.5/16" - 12	1.1/16" - 12						
CBM-21-21-21	1.5/16" - 12	1.5/16" - 12	1.5/16" - 12	48.8	54.5	48.8	33	41	
CBM-26-26-26	1.5/8" - 12	1.5/8" - 12	1.5/8" - 12	55.3	59	55.3	41	50	
CBM-30-30-30	1.7/8" - 12	1.7/8" - 12	1.7/8" - 12	62.5	63	62.5	48	55	



CMA SERIES

JIC MALE x JIC FEMALE x JIC MALE



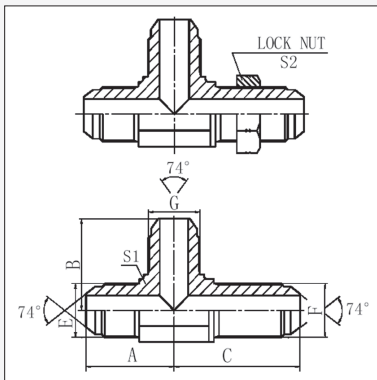
Product Code	Thread			Dimensions mm					
	E (JIC)	F (JIC)	G (JIC)	A	B	C	S1	S2	P
CMA-07-07-07 ^a	7/16" - 20	7/16" - 20	7/16" - 20	22.5	22.5	9	11	15	25.5
CMA-08-08-08	1/2" - 20	1/2" - 20	1/2" - 20	24	24	9.5	14	17	27
CMA-09-09-09 ^a	9/16" - 18	9/16" - 18	9/16" - 18	27	27	10.5	14	19	32
CMA-10-10-10 [†]	5/8" - 18	5/8" - 18	5/8" - 18	30	30	11.3	16	22	
CMA-12-12-09	3/4" - 16	3/4" - 16	9/16" - 18						
CMA-12-12-12 ^a	3/4" - 16	3/4" - 16	3/4" - 16	31.5	31.5	9.5	19	24	35
CMA-14-14-14	7/8" - 14	7/8" - 14	7/8" - 14	36.5	36.5	13	22	27	41
CMA-17-17-17	1.1/16" - 12	1.1/16" - 12	1.1/16" - 12	42	42	15	27	32	44.5
CMA-21-17-21	1.5/16" - 12	1.1/16" - 12	1.5/16" - 12						
CMA-21-21-17	1.5/16" - 12	1.5/16" - 12	1.1/16" - 12						
CMA-21-21-21 ^a	1.5/16" - 12	1.5/16" - 12	1.5/16" - 12	46	46	16	33	41	51
CMA-26-26-26	1.5/8" - 12	1.5/8" - 12	1.5/8" - 12	52	52	17	41	50	59
CMA-30-30-30	1.7/8" - 12	1.7/8" - 12	1.7/8" - 12	59	59	20	48	55	66

[†] SAE Thread Form

^a Also available with Imperial dimensioned hex nut. **Product Code CMAI**

CXA SERIES

JIC MALE x JIC MALE BULKHEAD x JIC MALE



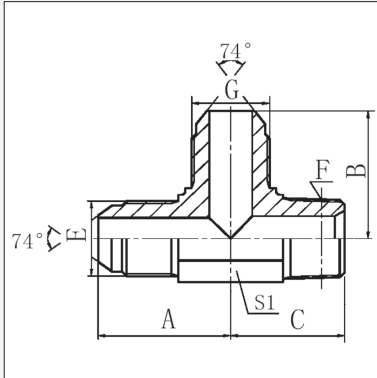
Product Code	Thread			Dimensions mm					
	E (JIC)	F (JIC)	G (JIC)	A	B	C	S1	S2	
CXA-07-07-07	7/16" - 20	7/16" - 20	7/16" - 20	24.5	24.5	40.4	11	17	
CXA-09-09-09	9/16" - 18	9/16" - 18	9/16" - 18	26.9	26.9	46	14	22	
CXA-12-12-12	3/4" - 16	3/4" - 16	3/4" - 16	32	32	53.5	19	24	
CXA-14-14-14	7/8" - 14	7/8" - 14	7/8" - 14	37.8	37.8	60.7	22	30	
CXA-17-17-17	1.1/16" - 12	1.1/16" - 12	1.1/16" - 12	44.2	44.2	67.8	27	36	
CXA-21-21-21	1.5/16" - 12	1.5/16" - 12	1.5/16" - 12	49	49	71	33	41	

TEES



CTA SERIES

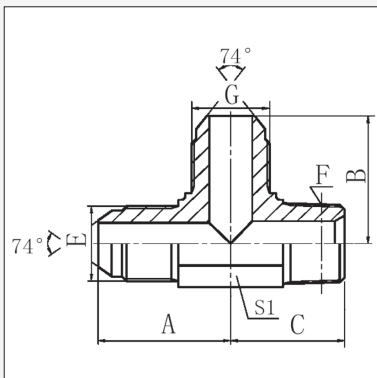
JIC MALE x BSPT MALE x JIC MALE



Product Code	Thread			Dimensions mm			
	E (JIC)	F (BSPT)	G (JIC)	A	B	C	S1
CTA-07-02-07	7/16" - 20	1/8" - 28	7/16" - 20	24.5	24.5	21	11
CTA-07-04-07	7/16" - 20	1/4" - 19	7/16" - 20	26.6	26.6	25.5	14
CTA-09-04-09	9/16" - 18	1/4" - 19	9/16" - 18	26.9	26.9	25.5	14
CTA-09-06-09	9/16" - 18	3/8" - 19	9/16" - 18	28.5	28.5	28.5	16
CTA-12-06-12	3/4" - 16	3/8" - 19	3/4" - 16	32	32	30.5	19
CTA-12-08-12	3/4" - 16	1/2" - 14	3/4" - 16	34.8	34.8	36	22
CTA-14-08-14	7/8" - 14	1/2" - 14	7/8" - 14	37.8	37.8	36	22
CTA-17-12-17	1.1/16" - 12	3/4" - 14	1.1/16" - 12	44.2	44.2	43.5	27
CTA-21-16-21	1.5/16" - 12	1" - 11	1.5/16" - 12	49	49	50	33
CTA-26-20-26	1.5/8" - 12	1.1/4" - 11	1.5/8" - 12	55.5	55.5	56.5	41

CTAN SERIES

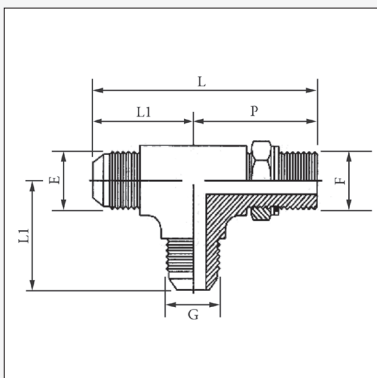
JIC MALE x NPT MALE x JIC MALE



Product Code	Thread			Dimensions mm			
	E (JIC)	F (NPT)	G (JIC)	A	B	C	S1
CTAN-07-02-07	7/16" - 20	1/8" - 27	7/16" - 20	24.5	24.5	21	11
CTAN-09-04-09	9/16" - 18	1/4" - 18	9/16" - 18	26.9	26.9	25.5	14
CTAN-12-06-12	3/4" - 16	3/8" - 18	3/4" - 16	32	32	31	19
CTAN-12-08-12	3/4" - 16	1/2" - 14	3/4" - 16	34.8	34.8	36.7	22
CTAN-17-12-17	1.1/16" - 12	3/4" - 14	1.1/16" - 12	44.2	44.2	44	27
CTAN-21-16-21	1.5/16" - 12	1" - 11.5	1.5/16" - 12	49	49	50	33

CTP SERIES

JIC MALE x BSPP MALE x JIC MALE

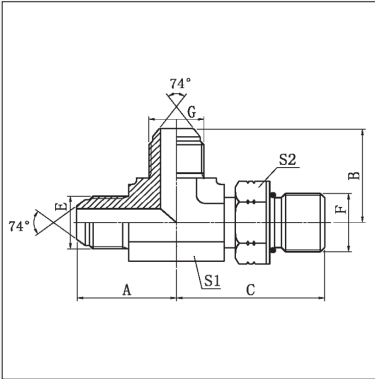


Product Code	Thread			Dimensions mm		
	E (JIC)	F (BSPP)	G (JIC)	L	L1	P
CTP-07-04-07	7/16" - 20	1/4" - 19	7/16" - 20	54	27	31.5
CTP-09-06-09	9/16" - 18	3/8" - 19	9/16" - 18	57	28.5	36.5
CTP-12-08-12	3/4" - 16	1/2" - 14	3/4" - 16	68	34	43
CTP-14-08-14	7/8" - 14	1/2" - 14	7/8" - 14	81.8	37.8	44
CTP-17-12-17	1.1/16" - 12	3/4" - 14	1.1/16" - 12	84	42	49
CTP-21-16-21	1.5/16" - 12	1" - 11½	1.5/16" - 12	92	46	52



CYA SERIES

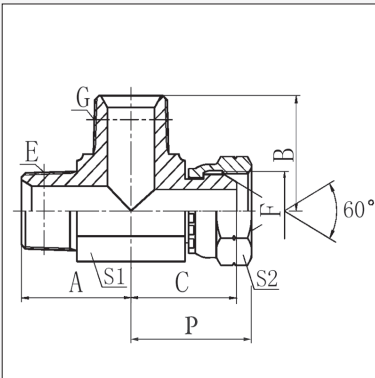
JIC MALE x UN'O' MALE x JIC MALE



Product Code	Thread			Dimensions mm				
	E (JIC)	F (UN'O')	G (JIC)	A	B	C	S1	S2
CYA-07-07-07	7/16" - 20	7/16" - 20	7/16" - 20	24.5	24.5	27.2	11	17
CYA-07-09-07	7/16" - 20	9/16" - 18	7/16" - 20	26.6	26.6	31.8	14	19
CYA-08-08-08	1/2" - 20	1/2" - 20	1/2" - 20	26.6	26.6	29	14	17
CYA-09-09-09	9/16" - 18	9/16" - 18	9/16" - 18	26.9	26.9	31.8	14	19
CYA-12-12-12	3/4" - 16	3/4" - 16	3/4" - 16	33	33	36.8	19	24
CYA-14-14-14	7/8" - 14	7/8" - 14	7/8" - 14	37.8	37.8	44	22	27
CYA-17-17-17	1.1/16" - 12	1.1/16" - 12	1.1/16" - 12	44.2	44.2	51	27	32
CYA-21-21-21	1.5/16" - 12	1.5/16" - 12	1.5/16" - 12	48.8	48.8	54.5	33	41
CYA-26-26-26	1.5/8" - 12	1.5/8" - 12	1.5/8" - 12	55.3	55.3	59	41	50
CYA-30-30-30	1.7/8" - 12	1.7/8" - 12	1.7/8" - 12	62.5	62.5	63	48	55

EPD / EPDP SERIES

BSP MALE x BSPP FEMALE x BSP MALE

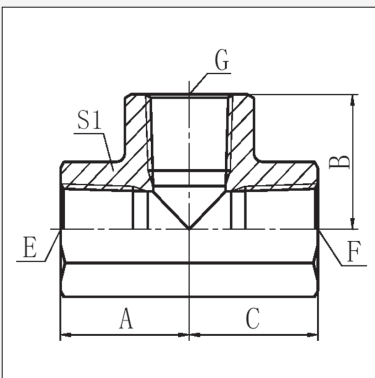


Product Code	Thread			Dimensions mm					
	E (BSPT)	F (BSPP)	G (BSPT)	A	B	C	S1	S2	P
EPD-02-02-02	1/8" - 28	1/8" - 28	1/8" - 28	22.5	22.5				32
EPD-04-04-04	1/4" - 19	1/4" - 19	1/4" - 19	27	27	28.5	14	14	34
EPDP-04-04-04†	1/4" - 19	1/4" - 19	1/4" - 19	27	27	28.5	14	14	34
EPD-06-06-06	3/8" - 19	3/8" - 19	3/8" - 19	29	29	30.7	16	16	37
EPD-08-08-08	1/2" - 14	1/2" - 14	1/2" - 14	34	34	36.5	22	22	44
EPD-12-12-12	3/4" - 14	3/4" - 14	3/4" - 14	41	41	44.1	27	27	55
EPD-16-16-16	1" - 11	1" - 11	1" - 11	46	46	49.3	33	33	61
EPD-20-20-20	1.1/4" - 11	1.1/4" - 11	1.1/4" - 11	51	51				66

† All threads are BSPP for this adaptor

EPF SERIES

BSPT FEMALE x BSPT FEMALE x BSPT FEMALE



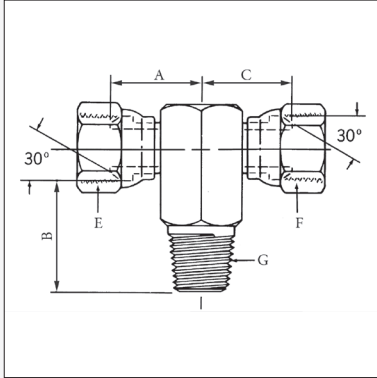
Product Code	Thread			Dimensions mm				
	E (BSPT)	F (BSPT)	G (BSPT)	A	B	C	S1	
EPF-02-02-02	1/8" - 28	1/8" - 28	1/8" - 28	20	20	20	16	
EPF-04-04-04	1/4" - 19	1/4" - 19	1/4" - 19	22.5	22.5	22.5	19	
EPF-06-06-06	3/8" - 19	3/8" - 19	3/8" - 19	26	26	26	24	
EPF-08-08-08	1/2" - 14	1/2" - 14	1/2" - 14	31	31	31	27	
EPF-12-12-12	3/4" - 14	3/4" - 14	3/4" - 14	34	34	34	33	
EPF-16-16-16	1" - 11	1" - 11	1" - 11	42	42	42	41	
EPF-20-20-20	1.1/4" - 11	1.1/4" - 11	1.1/4" - 11	48	48	48	50	
EPF-24-24-24	1.1/2" - 11	1.1/2" - 11	1.1/2" - 11	53	53	53	60	
EPF-32-32-32	2" - 11	2" - 11	2" - 11	62	62	62	70	

TEES



EPFFM SERIES

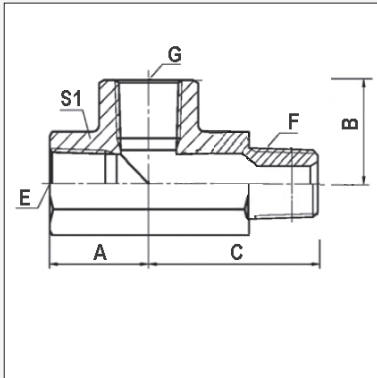
BSPP FEMALE_{SW} x BSPP FEMALE_{SW} x BSPT MALE



Product Code	Thread			Dimensions mm			
	E (BSPP _{SW})	F (BSPP _{SW})	G (BSPT)	A	B	C	
EPFFM-04-04-04	1/4" - 19	1/4" - 19	1/4" - 19	23.1	31.2	23.1	
EPFFM-06-06-06	3/8" - 19	3/8" - 19	3/8" - 19	27.7	38.9	27.7	
EPFFM-08-08-08	1/2" - 14	1/2" - 14	1/2" - 14	25.4	46	25.4	
EPFFM-12-12-12	3/4" - 14	3/4" - 14	3/4" - 14	34.5	51.6	34.5	
EPFFM-16-16-16	1" - 11	1" - 11	1" - 11	34	60.5	34	

EPFLF SERIES

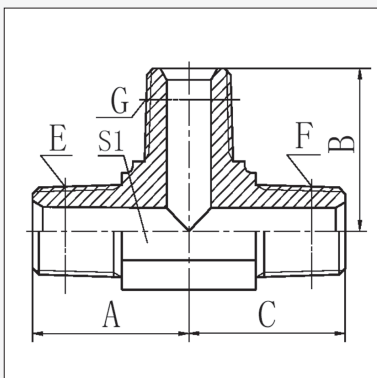
BSPT FEMALE x BSPT MALE x BSPT FEMALE



Product Code	Thread			Dimensions mm			
	E (BSPT)	F (BSPT)	G (BSPT)	A	B	C	S1
EPFLF-04-04-04	1/4" - 19	1/4" - 19	1/4" - 19	22	22	29	19
EPFLF-06-06-06	3/8" - 19	3/8" - 19	3/8" - 19	26	26	31.5	22
EPFLF-08-08-08	1/2" - 14	1/2" - 14	1/2" - 14	31	31	38	27

EPJ SERIES

BSPT MALE x BSPT MALE x BSPT MALE

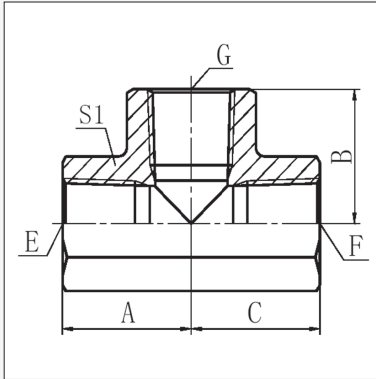


Product Code	Thread			Dimensions mm			
	E (BSPT)	F (BSPT)	G (BSPT)	A	B	C	S1
EPJ-02-02-02	1/8" - 28	1/8" - 28	1/8" - 28	21	21	21	11
EPJ-04-04-04	1/4" - 19	1/4" - 19	1/4" - 19	25.5	25.5	25.5	14
EPJ-06-06-06	3/8" - 19	3/8" - 19	3/8" - 19	28.5	28.5	28.5	16
EPJ-08-08-08	1/2" - 14	1/2" - 14	1/2" - 14	36	36	36	22
EPJ-12-12-12	3/4" - 14	3/4" - 14	3/4" - 14	43.5	43.5	43.5	27
EPJ-16-16-16	1" - 11	1" - 11	1" - 11	50	50	50	33
EPJ-20-20-20	1.1/4" - 11	1.1/4" - 11	1.1/4" - 11	57.5	57.5	57.5	41
EPJ-24-24-24	1.1/2" - 11	1.1/2" - 11	1.1/2" - 11	62.5	62.5	62.5	48
EPJ-32-32-32	2" - 11	2" - 11	2" - 11	75	75	75	63



EPK / EPKHD SERIES

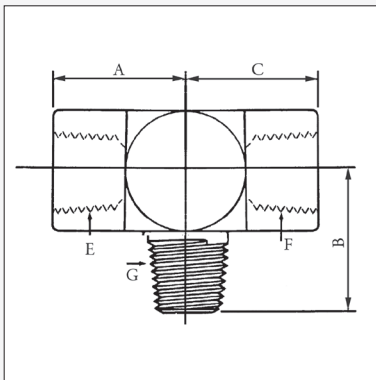
NPT FEMALE x NPT FEMALE x NPT FEMALE



Product Code	Thread			Dimensions mm			
	E (NPT)	F (NPT)	G (NPT)	A	B	C	S1
EPK-02-02-02	1/8" - 27	1/8" - 27	1/8" - 27	20	20	20	16
EPK-04-04-04	1/4" - 18	1/4" - 18	1/4" - 18	22.5	22.5	22.5	19
EPK-06-06-06	3/8" - 18	3/8" - 18	3/8" - 18	26	26	26	24
EPK-08-08-08	1/2" - 14	1/2" - 14	1/2" - 14	31	31	31	27
EPK-12-12-12	3/4" - 14	3/4" - 14	3/4" - 14	34	34	34	33
EPK-16-16-16	1" - 11½	1" - 11½	1" - 11½	42	42	42	41
EPK-20-20-20	1.1/4" - 11½	1.1/4" - 11½	1.1/4" - 11½				
HEAVY DUTY 10,000 PSI (700 BAR) HIGH PRESSURE SERIES							
EPKHD-04-04-04	1/4" - 18	1/4" - 18	1/4" - 18	22.5	22.5	22.5	24
EPKHD-06-06-06	3/8" - 18	3/8" - 18	3/8" - 18	22.5	22.5	22.5	27

EPKKL SERIES

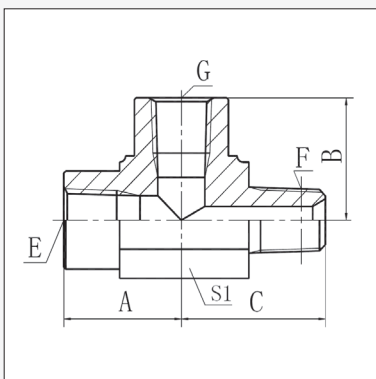
NPT FEMALE x NPT FEMALE x NPT MALE



Product Code	Thread			Dimensions mm			
	E (NPT)	F (NPT)	G (NPT)	A	B	C	
EPKKL-04-04-04	1/4" - 18	1/4" - 18	1/4" - 18	22.4	27.7	22.4	

EPKLK SERIES

NPT FEMALE x NPT MALE x NPT FEMALE

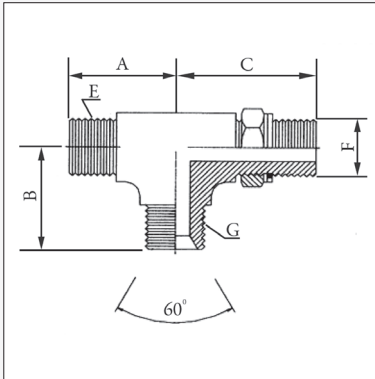


Product Code	Thread			Dimensions mm			
	E (NPT)	F (NPT)	G (NPT)	A	B	C	S1
EPKLK-02-02-02	1/8" - 27	1/8" - 27	1/8" - 27	20	20	24.5	16
EPKLK-04-04-04	1/4" - 18	1/4" - 18	1/4" - 18	25	25	28.5	19
EPKLK-06-06-06	3/8" - 18	3/8" - 18	3/8" - 18	27	27	33.5	24
EPKLK-08-08-08	1/2" - 14	1/2" - 14	1/2" - 14	35	35	42.5	30
EPKLK-12-12-12	3/4" - 14	3/4" - 14	3/4" - 14	37	37	45.2	33
EPKLK-16-16-16	1" - 11½	1" - 11½	1" - 11½	41	44	54.7	41
EPKLK-20-20-20	1.1/4" - 11½	1.1/4" - 11½	1.1/4" - 11½	48	48	58.5	48



EPP SERIES

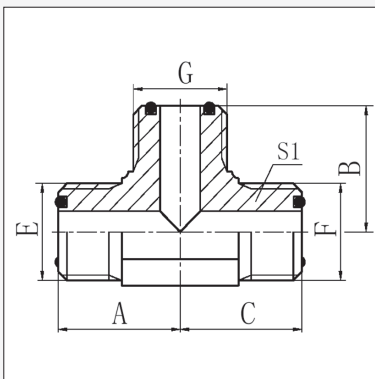
BSPT MALE x BSPP MALE x BSPT MALE



Product Code	Thread			Dimensions mm			
	E (BSPT)	F (BSPP)	G (BSPT)	A	B	C	
EPP-04-04-04	1/4" - 19	1/4" - 19	1/4" - 19	27	27	31.5	

FF1220 SERIES

ORFS MALE x ORFS MALE x ORFS MALE

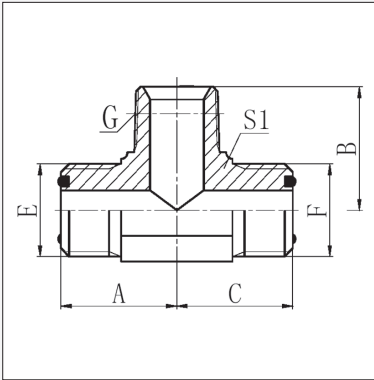


Product Code	Thread			Dimensions mm			
	E (ORFS)	F (ORFS)	G (ORFS)	A	B	C	S1
FF1220-040404	9/16" - 18	9/16" - 18	9/16" - 18	23	23	23	14
FF1220-060606	11/16" - 16	11/16" - 16	11/16" - 16	27	27	27	19
FF1220-080808	13/16" - 16	13/16" - 16	13/16" - 16	31	31	31	22
FF1220-101010	1" - 14	1" - 14	1" - 14	36.5	36.5	36.5	27
FF1220-121212	1.3/16" - 12	1.3/16" - 12	1.3/16" - 12	40.3	40.3	40.3	30
FF1220-161616	1.7/16" - 12	1.7/16" - 12	1.7/16" - 12	44.5	44.5	44.5	36
FF1220-202020	1.11/16" - 12	1.11/16" - 12	1.11/16" - 12	47.5	47.5	47.5	41
FF1220-242424	2" - 12	2" - 12	2" - 12	53.5	53.5	53.5	50



FF1221 SERIES

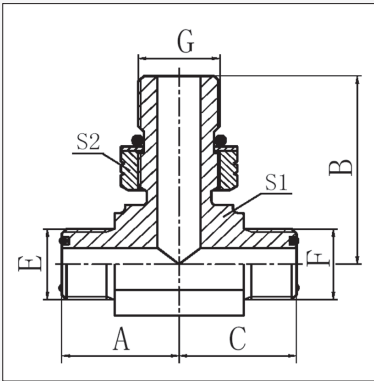
ORFS MALE x ORFS MALE x NPT MALE



Product Code	Thread			Dimensions mm			
	E (ORFS)	F (ORFS)	G (NPT)	A	B	C	S1
FF1221-040404	9/16" - 18	9/16" - 18	1/4" - 18	23	25.5	23	14
FF1221-060606	11/16" - 16	11/16" - 16	3/8" - 18	27	31	27	19
FF1221-080806	13/16" - 16	13/16" - 16	3/8" - 18	31	33.5	31	22
FF1221-101008	1" - 14	1" - 14	1/2" - 14	36.5	40	36.5	27
FF1221-242424	2" - 12	2" - 12	1.1/2" - 11.5	53.5	64.5	53.5	50

FF1265 SERIES

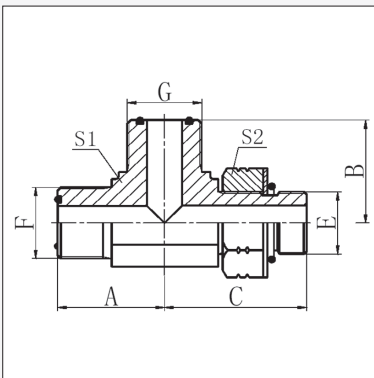
ORFS MALE x ORFS MALE x UN'O' MALE



Product Code	Thread			Dimensions mm				
	E (ORFS)	F (ORFS)	G (UN'O')	A	B	C	S1	S2
FF1265-040404	9/16" - 18	9/16" - 18	7/16" - 20	23	30.3	23	14	17
FF1265-060606	11/16" - 16	11/16" - 16	9/16" - 18	27.5	35.5	27.5	19	19
FF1265-080808	13/16" - 16	13/16" - 16	3/4" - 16	31	40.5	31	22	24
FF1265-101010	1" - 14	1" - 14	7/8" - 14	36.5	50.8	36.5	27	27
FF1265-121212	1.3/16" - 12	1.3/16" - 12	1.1/16" - 12	40.3	55.3	40.3	30	32
FF1265-161616	1.7/16" - 12	1.7/16" - 12	1.5/16" - 12	44.5	59.3	44.5	36	41

FF1266 SERIES

UN'O' MALE x ORFS MALE x ORFS MALE



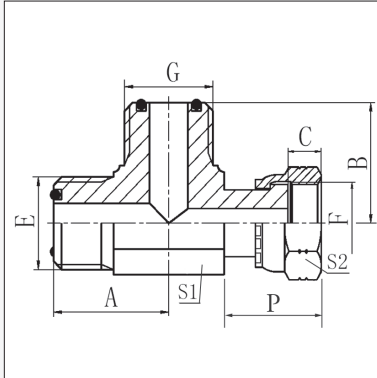
Product Code	Thread			Dimensions mm				
	E (UN'O')	F (ORFS)	G (ORFS)	A	B	C	S1	S2
FF1266-040404	7/16" - 20	9/16" - 18	9/16" - 18	23	23	30	14	17
FF1266-060606	9/16" - 18	11/16" - 16	11/16" - 16	27.5	27.5	35.5	19	19
FF1266-080808	3/4" - 16	13/16" - 16	13/16" - 16	31	31	40.5	22	24
FF1266-101010	7/8" - 14	1" - 14	1" - 14	36.5	36.5	50.8	27	27
FF1266-121212	1.1/16" - 12	1.3/16" - 12	1.3/16" - 12	40.3	40.3	55.3	30	32
FF1266-161616	1.5/16" - 12	1.7/16" - 12	1.7/16" - 12	44.5	44.5	59.3	36	41
FF1266-202020	1.5/8" - 12	1.11/16" - 12	1.11/16" - 12	47.5	46.7	59.7	40.8	50.0
FF1266-242424	1.7/8" - 12	2" - 12	2" - 12	46	47.6	64	50.8	53.9

TEES



FF1248 SERIES

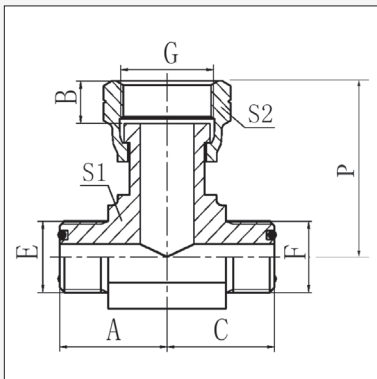
ORFS MALE x ORFS FEMALE x ORFS MALE



Product Code	Thread			Dimensions mm					
	E (ORFS)	F (ORFS)	G (ORFS)	A	B	C	S1	S2	P
FF1248-040404	9/16" - 18	9/16" - 18	9/16" - 18	23	23	8.5	14	19	37
FF1248-060606	11/16" - 16	11/16" - 16	11/16" - 16	27.5	27.5	10	19	22	42
FF1248-080808	13/16" - 16	13/16" - 16	13/16" - 16	31	31	11	22	27	54
FF1248-101010	1" - 14	1" - 14	1" - 14	36.5	36.5	13.5	27	30	59
FF1248-121212	1.3/16" - 12	1.3/16" - 12	1.3/16" - 12	40.3	40.3	15	30	36	66
FF1248-161616	1.7/16" - 12	1.7/16" - 12	1.7/16" - 12	44.5	44.5	15	36	41	74
FF1248-202020	1.11/16" - 12	1.11/16" - 12	1.11/16" - 12	47.5	47.5	15	41	50	79
FF1248-242424	2" - 12	2" - 12	2" - 12	53.5	53.5	15	50	60	83

FF1227 SERIES

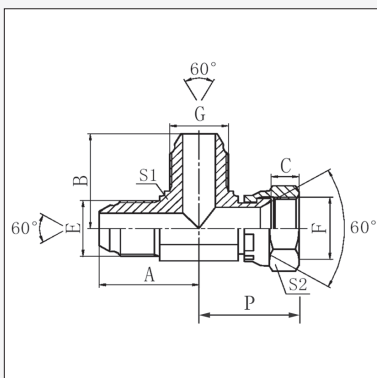
ORFS MALE x ORFS MALE x ORFS FEMALE



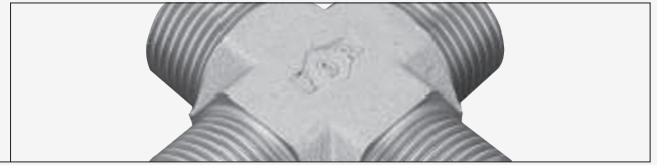
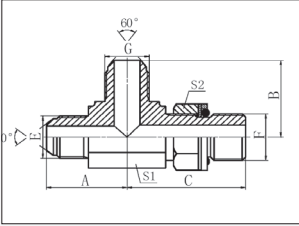
Product Code	Thread			Dimensions mm					
	E (ORFS)	F (ORFS)	G (ORFS)	A	B	C	S1	S2	P
FF1227-040404	9/16" - 18	9/16" - 18	9/16" - 18	23	8.5	23	14	19	37
FF1227-060606	11/16" - 16	11/16" - 16	11/16" - 16	27.5	10	27.5	19	22	42
FF1227-080808	13/16" - 16	13/16" - 16	13/16" - 16	31	11	31	22	27	54
FF1227-101010	1" - 14	1" - 14	1" - 14	36.5	13.5	36.5	27	30	59
FF1227-121212	1.3/16" - 12	1.3/16" - 12	1.3/16" - 12	40.3	15	40.3	30	36	66
FF1227-161616	1.7/16" - 12	1.7/16" - 12	1.7/16" - 12	44.5	15	44.5	36	41	74
FF1227-202020	1.11/16" - 12	1.11/16" - 12	1.11/16" - 12	47.5	15	47.5	41	50	79
FF1227-242424	2" - 12	2" - 12	2" - 12	53.5	15	53.5	50	60	83

KMA SERIES

METRIC JIS MALE x JIS FEMALE x JIS MALE

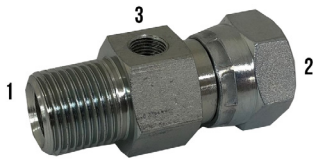


Product Code	Thread			Dimensions mm					
	E (JISMet)	F (JISMet)	G (JISMet)	A	B	C	S1	S2	P
KMA-14-14-14	M14 -1.5	M14 -1.5	M14 -1.5	26.5	26.5	10.5	14	19	32
KMA-16-16-16	M16 -1.5	M16 -1.5	M16 -1.5	29.5	29.5	10	16	22	33
KMA-18-18-18	M18 -1.5	M18 -1.5	M18 -1.5	30.8	30.8	11.5	19	24	35
KMA-22-22-22	M22 -1.5	M22 -1.5	M22 -1.5	35.5	35.5	14	22	27	41

TEES / TEST POINT/
CROSS ADAPTORS**KYA** SERIES METRIC JIS MALE x METRIC O-RING MALE x JIS MALE

Product Code	Thread			Dimensions mm				
	E (JISMet)	F (METRIC)	G (JISMet)	A	B	C	S1	S2
KYA-14-14-20	M14 -1.5	M14 -1.5	M20 -1.5	30	30	37	19	27
KYA-18-18-14	M18 -1.5	M18 -1.5	M14 -1.5	30.5	30.5	35.5	19	19
KYA-22-22-20	M22 -1.5	M22 -1.5	M20 -1.5	45.5		40	22	27
KYA-22-22-22	M22 -1.5	M22 -1.5	M22 -1.5	45.5	45.5	40	22	27

TEST POINT ADAPTORS

MFBB BSP In-Line Test Point Adaptor

Product Code	BSPT MALE ①	BSP FEMALE ②	BSPT FEMALE ③
MFBB-04-04-02	1/4" - 19	1/4" - 19	1/8"
MFBB-06-06-02	3/8" - 19	3/8" - 19	1/8" - 28
MFBB-08-08-02	1/2" - 14	1/2" - 14	1/8" - 28
MFBB-12-12-02	3/4" - 14	3/4" - 14	1/8" - 28

Note :- that the Test Point is installed via a 1/8" BSPT port & is ordered separately

MFFB ORFS In-Line Test Point Adaptor

Product Code	ORFS MALE ①	ORFS FEMALE ②	BSPT FEMALE ③
MFFB-04-04-02	9/16" - 18	9/16" - 18	1/8" - 28
MFFB-06-06-02	11/16" - 16	11/16" - 16	1/8" - 28
MFFB-08-08-02	13/16" - 16	13/16" - 16	1/8" - 28
MFFB-10-10-02	1" - 14	1" - 14	1/8" - 28
MFFB-12-12-02	1.3/16" - 12	1.3/16" - 12	1/8" - 28
MFFB-16-16-02	1.7/16" - 12	1.7/16" - 12	1/8" - 28

Note:- that the Test Point is installed via a 1/8" BSPT port & is ordered separately

MFJB JIC In-Line Test Point Adaptor

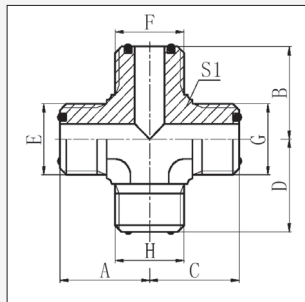
Product Code	JIC MALE ①	JIC FEMALE ②	BSPT FEMALE ③
MFJB-07-07-02	7/16" - 20	7/16" - 20	1/8" - 28
MFJB-09-09-02	9/16" - 18	9/16" - 18	1/8" - 28
MFJB-12-12-02	3/4" - 16	3/4" - 16	1/8" - 28
MFJB-14-14-02	7/8" - 14	7/8" - 14	1/8" - 28
MFJB-17-17-02	1.1/16" - 12	1.1/16" - 12	1/8" - 28
MFJB-21-21-02	1.5/16" - 12	1.5/16" - 12	1/8" - 28

Note:- that the Test Point is installed via a 1/8" BSPT port & is ordered separately

MFJU JIC In-Line Test Point (UNO) Adaptor

Product Code	JIC MALE ①	JIC FEMALE ②	UNO FEMALE ③
MFJU-07-07-07	7/16" - 20	7/16" - 20	7/16" - 20
MFJU-09-09-07	9/16" - 18	9/16" - 18	7/16" - 20
MFJU-12-12-07	3/4" - 16	3/4" - 16	7/16" - 20
MFJU-14-14-07	7/8" - 14	7/8" - 14	7/16" - 20
MFJU-17-17-07	1.1/16" - 12	1.1/16" - 12	7/16" - 20
MFJU-21-21-07	1.5/16" - 12	1.5/16" - 12	7/16" - 20

Note:- that the test point is installed via a 7/16" UNO port & is ordered separately

FF1229 SERIES 4-WAY EQUAL ORFS MALE

Product Code	Thread	Dimensions mm				
	E, F, G, H (ORFS)	A	B	C	D	S1
FF1229-04040404	9/16" - 18	23	23	23	23	14
FF1229-06060606	11/16" - 16	27	27	27	27	19
FF1229-08080808	13/16" - 16	31	31	31	31	22
FF1229-10101010	1" - 14	36.5	36.5	36.5	36.5	27
FF1229-12121212	1.3/16" - 12	40.3	40.3	40.3	40.3	30
FF1229-16161616	1.7/16" - 12	44.5	44.5	44.5	44.5	36

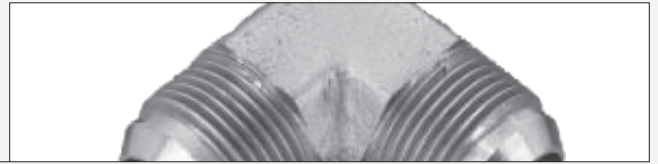


SECTION 3 90° ELBOWS

PAGE

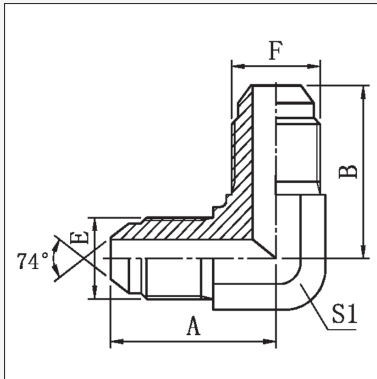
CAA	JIC x JIC	M / M	D 32
CAB / CABI	JIC x JIC	M / F _{SW}	D 32
CAH	JIC BULKHEAD	M / M	D 32
CMJ	METRIC x JIC	M / M	D33
CEA	UN`O´ x JIC	M / M	D 33
CEAS	UN`O´ SWIVEL x JIC	M / M	D 34
CED	UN`O´ x BSPP	M / F _{SW}	D 34
CEPN	UN`O´ x NPT FIXED	M / F	D 34
CEJ	UN`O´ x BSPT	M / M	D 35
CFA	BSPP x JIC	M / M	D 35
CFJ	BSPP x BSPT	M / M	D 36
CLA	BSPT FIXED x JIC	F / M	D 36
CLAN	NPT FIXED x JIC	F / M	D 37
CLF	NPTF x NPTF LOW PROFILE	M / F	D 37
CLJ	BSPT x BSPT FIXED	M / F	D 37
CLJN	NPT x NPT FIXED	M / F	D 38
CLP	BSPT FIXED x BSPT FIXED	F / F	D 38
CLPN	NPT FIXED x NPT FIXED	F / F	D 38
CSA	UN`O´ EXTENDED x JIC	M / M	D 39
CVA	BSPT x JIC	M / M	D 39
CVAN	NPT x JIC	M / M	D 40
CVD	BSPT x BSPP	M / F _{SW}	D 41
CVDN	NPT x NPSM	M / F _{SW}	D 42
CVDPA	BSPP x BSPP	M / F _{SW}	D 42
CVE	BSPT x SAE	M / M	D 42
CVF	BSPT x JIC	M / F _{SW}	D 43
CVJ / CVJN	BSPT x BSPT / NPT x NPT	M / M	D 43
FF1208	ORFS x NPT	M / M	D 44
FF1236	ORFS x ORFS	M / F _{SW}	D 44
FF1238	ORFS x UN`O´	M / M	D 45
FF1239	UN`O´ x ORFS	M / F _{SW}	D 45
FF1291	BSPP x ORFS	M / M	D 46
CVDJ	JIS BSP x JIS BSP	M / F	D 46
KAB	JIS MET x JIS MET	M / F _{SW}	D 46
KEA	JIS MET x JIS MET `O´ RING	M / M	D 47

90° ELBOWS



CAA SERIES

JIC MALE x JIC MALE

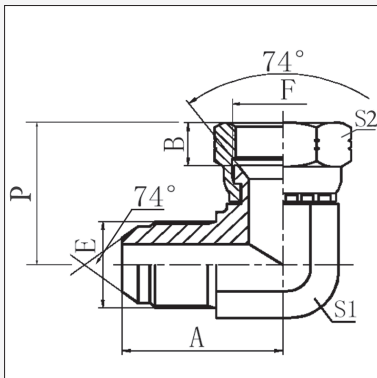


Product Code	Thread		Dimensions mm			
	E (JIC)	F (JIC)	A	B	S1	
CAA-07-07	7/16" - 20	7/16" - 20	24.5	24.5	11	
CAA-08-08	1/2" - 20	1/2" - 20	26.6	26.6	14	
CAA-09-09	9/16" - 18	9/16" - 18	26.9	26.9	14	
CAA-10-10 †	5/8" - 18	5/8" - 18				
CAA-12-12	3/4" - 16	3/4" - 16	32	32	19	
CAA-14-12	7/8" - 14	3/4" - 16	37.8	34.8	22	
CAA-14-14	7/8" - 14	7/8" - 14	37.8	37.8	22	
CAA-17-14	1.1/16" - 12	7/8" - 14	44.2	41	27	
CAA-17-17	1.1/16" - 12	1.1/16" - 12	44.2	44.2	27	
CAA-21-17	1.5/16" - 12	1.1/16" - 12	49	44.2	33	
CAA-21-21	1.5/16" - 12	1.5/16" - 12	49	49	33	
CAA-26-26	1.5/8" - 12	1.5/8" - 12	55.5	55.5	41	
CAA-30-30	1.7/8" - 12	1.7/8" - 12	62.5	62.5	48	

† SAE Thread Form

CAB SERIES

JIC MALE x JIC FEMALE



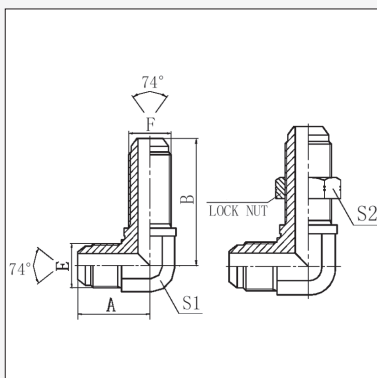
Product Code	Thread		Dimensions mm				
	E (JIC)	F (JIC)	A	B	S1	S2	P
CAB-07-07 ^a	7/16" - 20	7/16" - 20	22.5	9	11	15	25.5
CAB-08-08	1/2" - 20	1/2" - 20	24	9.5	14	17	27
CAB-09-09 ^a	9/16" - 18	9/16" - 18	27	10.5	14	19	32
CAB-10-10 †	5/8" - 18	5/8" - 18	30	11.3	16	22	
CAB-12-12 ^a	3/4" - 16	3/4" - 16	31.5	11	19	24	35
CAB-14-14	7/8" - 14	7/8" - 14	36.5	13	22	27	41
CAB-17-14	1.1/16" - 12	7/8" - 14	43	12.5	27	27	42
CAB-17-17	1.1/16" - 12	1.1/16" - 12	42	15	27	32	44.5
CAB-19-19	1.3/16" - 12	1.3/16" - 12	44	15	30	36	48
CAB-21-21 ^a	1.5/16" - 12	1.5/16" - 12	46	16	33	41	51
CAB-26-26	1.5/8" - 12	1.5/8" - 12	52	17	41	50	59
CAB-30-30	1.7/8" - 12	1.7/8" - 12	59	20	48	55	66
CAB-40-40	2.1/2"-12	2.1/2"-12	75.5	24.5	63	75	

† SAE Thread Form

^a Also available with Imperial dimensioned hex nut. **Product Code CABI**

CAH SERIES

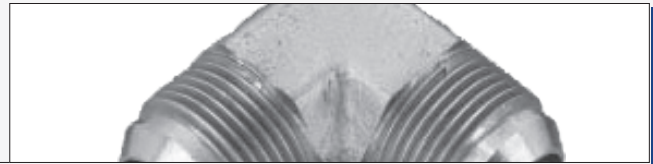
JIC MALE x JIC MALE BULKHEAD



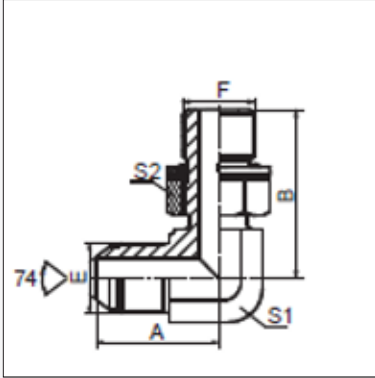
Product Code	Thread		Dimensions mm			
	E (JIC)	F (JIC)	A	B	S1	S2
CAH-07-07	7/16" - 20	7/16" - 20	24.5	40.4	11	17
CAH-09-09	9/16" - 18	9/16" - 18	27.7	46	14	22
CAH-10-10 †	5/8" - 18	5/8" - 18	30.5	54.5	19	24
CAH-12-12	3/4" - 16	3/4" - 16	34.5	53.5	19	24
CAH-14-14	7/8" - 14	5/8" - 18	39.6	60.7	22	30
CAH-17-17	1.1/16" - 12	9/16" - 18	45.2	67.8	27	36
CAH-21-21	1.5/16" - 12	1.5/16" - 12	50	71	33	41
CAH-26-26	1.5/8" - 12	1.5/8" - 12	57.5	79.2	41	50

This page is part of a complete catalogue containing technical and safety data.
All data must be reviewed when selecting a product.
Pirtek reserve the right to change technical specifications without notice

90° ELBOWS

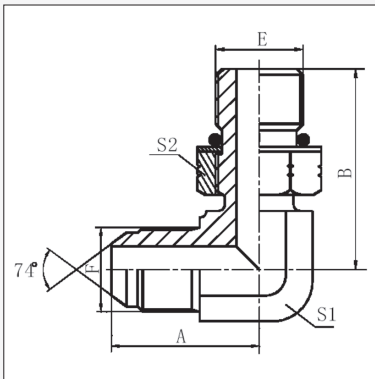


CMJ SERIES METRIC MALE x JIC MALE



Product Code	Thread		Dimensions mm			
	F (METRIC)	E (JIC)	A	B	S1	S2
CMJ-12-07	M12X1.5	7/16"X20	24.5	30.3	11	17
CMJ-14-09	M14X1.5	9/16"X18	26.9	32	14	19
CMJ-18-09	M18X1.5	9/16"X18	30	37	19	24
CMJ-22-12	M22X1.5	3/4"X16	34.8	40.2	22	27
CMJ-22-14	M22X1.5	7/8"X14	38	42.5	22	27
CMJ-27-17	M27X2	1.1/16"X12	44.2	48.5	27	32

CEA SERIES UN'O' MALE x JIC MALE



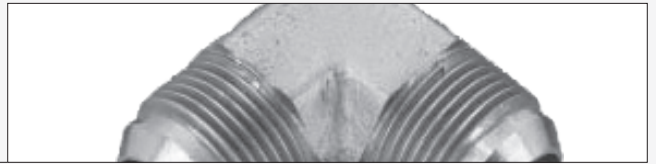
Product Code	Thread		Dimensions mm			
	E (UN'O')	F (JIC)	A	B	S1	S2
CEA-07-07	7/16" - 20	7/16" - 20	24.5	27.2	11	17
CEA-07-09	7/16" - 20	9/16" - 18	26.9	30	14	17
CEA-08-08	1/2" - 20	1/2" - 20	26.6	29	14	17
CEA-08-09	1/2" - 20	9/16" - 18	26.9	29.9	14	17
CEA-09-07	9/16" - 18	7/16" - 20	26.6	31.8	14	19
CEA-09-09	9/16" - 18	9/16" - 18	26.9	31.8	14	19
CEA-09-10	9/16" - 18	5/8" - 18 †				
CEA-09-12	9/16" - 18	3/4" - 16	33	33.5	19	19
CEA-12-09	3/4" - 16	9/16" - 18	30	36.8	19	24
CEA-12-12	3/4" - 16	3/4" - 16	33	36.8	19	24
CEA-12-14	3/4" - 16	7/8" - 14	38	40	22	27
CEA-12-17	3/4" - 16	1.1/16" - 12	45	44	27	24
CEA-14-09	7/8" - 14	9/16" - 18	32	44	22	27
CEA-14-12	7/8" - 14	3/4" - 16	34.8	44	22	27
CEA-14-14	7/8" - 14	7/8" - 14	37.8	44	22	27
CEA-14-17	7/8" - 14	1.1/16" - 12	44.2	47	27	27
CEA-17-09	1.1/16" - 12	9/16" - 18	35.5	51	27	32
CEA-17-12	1.1/16" - 12	3/4" - 16	37.9	51	27	32
CEA-17-14	1.1/16" - 12	7/8" - 14	41	51	27	32
CEA-17-17	1.1/16" - 12	1.1/16" - 12	44.2	51	27	32
CEA-17-19	1.1/16" - 12	1.3/16" - 12				
CEA-17-21	1.1/16" - 12	1.5/16" - 12	48.8	54.5	33	32
CEA-19-19	1.3/16" - 12	1.3/16" - 12	47.5	53	30	36
CEA-21-17	1.5/16" - 12	1.1/16" - 12	47.8	54.5	33	41
CEA-21-21	1.5/16" - 12	1.5/16" - 12	48.8	54.5	33	41
CEA-21-26	1.5/16" - 12	1.5/8" - 12	55.5	59.5	41	41
CEA-26-21	1.5/8" - 12	1.5/16" - 12	53.8	59	41	50
CEA-26-26	1.5/8" - 12	1.5/8" - 12	55.3	59	41	50
CEA-30-30	1.7/8" - 12	1.7/8" - 12	62.5	63	48	55

† SAE Thread Form



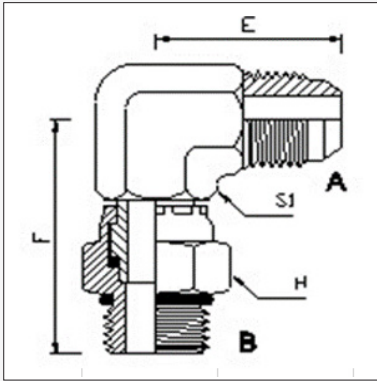
This page is part of a complete catalogue containing technical and safety data.
All data must be reviewed when selecting a product.
Pirtek reserve the right to change technical specifications without notice

90° ELBOWS



CEAS SERIES

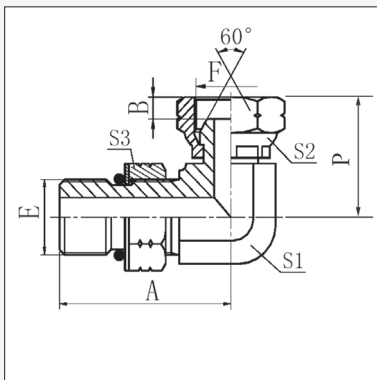
UNO MALE SWIVEL X JIC MALE



Product Code	Thread		Dimensions mm			
	A (JIC)	B (UNO)	E	F	S1	H
CEAS-12-12	3/4" - 16	3/4" - 16	32	48	19	22.2
CEAS-14-12	3/4" - 16	7/8" - 14	34	53	22	25.4
CEAS-17-17	1.1/16" - 16	1.1/16" - 12	42	54	27	31.8

CED SERIES

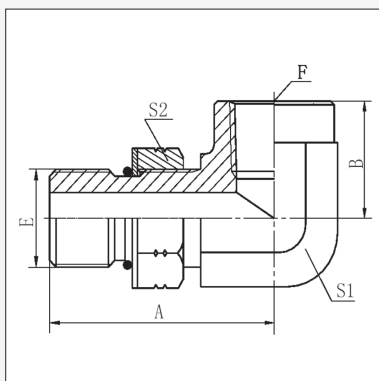
UN'O' MALE x BSPP FEMALE



Product Code	Thread		Dimensions mm					
	E (UN'O')	F (BSPP)	A	B	S1	S2	S3	P
CED-09-04	9/16" - 18	1/4" - 19	31.8	5.5	14	19	19	33
CED-09-06	9/16" - 18	3/8" - 19	33.3	6.3	16	19	22	36
CED-12-06	3/4" - 16	3/8" - 19	36.8	6.3	19	24	22	36
CED-12-08	3/4" - 16	1/2" - 14	36.8	7.5	19	24	27	42
CED-14-08	7/8" - 14	1/2" - 14	44	7.5	22	27	27	42
CED-17-12	1.1/16" - 12	3/4" - 14	51	10.9	27	32	32	50
CED-21-16	1.5/16" - 12	1" - 11	54.5	11.7	33	41	41	59

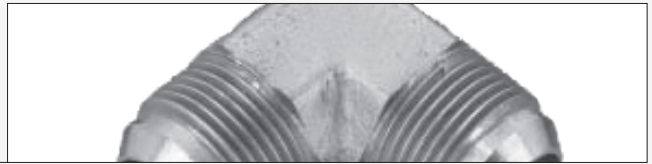
CEPN SERIES

UN'O' MALE x NPT FIXED FEMALE



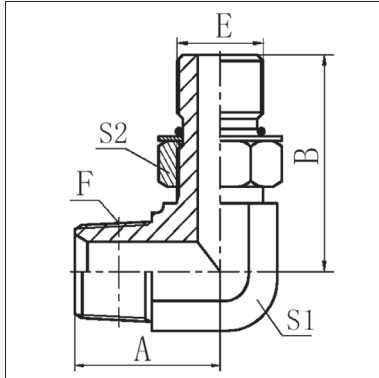
Product Code	Thread		Dimensions mm			
	E (UN'O')	F (NPT)	A	B	S1	S2
CEPN-12-06	3/4" - 16	3/8" - 19	40	26.5	22	24
CEPN-12-08	3/4" - 16	1/2" - 14	43	31.2	27	24
CEPN-12-12	3/4" - 16	3/4" - 14				24
CEPN-14-08	7/8" - 14	1/2" - 14	48	31.2	27	27
CEPN-17-08	1.1/16" - 12	1/2" - 14	51	31.2	27	32
CEPN-17-12	1.1/16" - 12	3/4" - 14	55	34.5	33	32

90° ELBOWS



CEJ SERIES

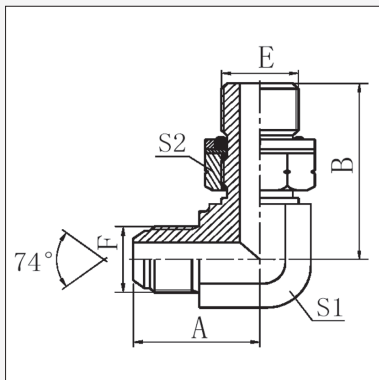
UN'O' MALE x BSPT MALE



Product Code	Thread		Dimensions mm			
	E (UN'O')	F (BSPT)	A	B	S1	S2
CEJ-07-02	7/16" - 20	1/8" - 28				
CEJ-07-04	7/16" - 20	1/4" - 19	26	31	14	17
CEJ-09-04	9/16" - 18	1/4" - 19	26	31.8	14	19
CEJ-09-06	9/16" - 18	3/8" - 19	28.5	33.3	16	19
CEJ-12-06	3/4" - 16	3/8" - 19	31	37	19	24
CEJ-12-08	3/4" - 16	1/2" - 20	37	40.5	22	24
CEJ-14-06	7/8" - 14	3/8" - 19	33.5	44	22	27
CEJ-14-08	7/8" - 14	1/2" - 14	38	44	22	27
CEJ-14-12	7/8" - 14	3/4" - 14	43	47	27	27
CEJ-17-08	1.1/16" - 12	1/2" - 14	41	51	27	32
CEJ-17-12	1.1/16" - 12	3/4" - 14	43.5	51	27	32
CEJ-17-16	1.1/16" - 12	1" - 11				
CEJ-21-12	1.5/16" - 12	3/4" - 14	47.5	54.5	33	41
CEJ-21-16	1.5/16" - 12	1" - 11				
CEJ-26-16	1.5/8" - 12	1" - 11	55.5	59	41	50
CEJ-26-20	1.5/8" - 12	1.1/4" - 11	56.5	59.5	41	50
CEJ-30-24	1.7/8" - 12	1.1/2" - 11				

CFA SERIES

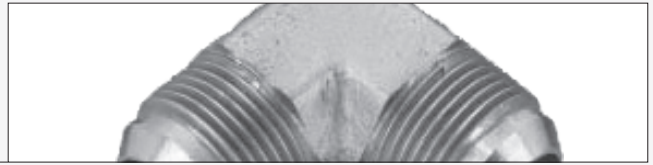
BSPP MALE x JIC MALE



See page D90 for replacement retaining ring and O-Ring for the BSPP thread (Product Codes **RRB** and **RROB**)

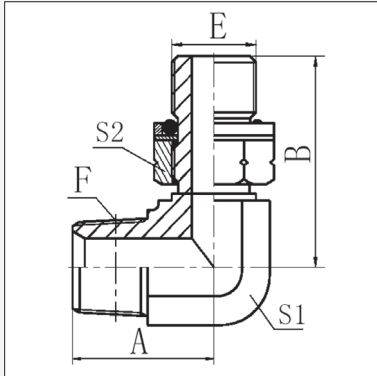
Product Code	Thread		Dimensions mm			
	E (BSPP)	F (JIC)	A	B	S1	S2
CFA-02-07	1/8" - 28	7/16" - 20	24.5	26.2	11	14
CFA-02-09	1/8" X28	9/16" X18	26.9	28	14	14
CFA-04-07	1/4" - 19	7/16" - 20	26.6	31.3	14	19
CFA-04-09	1/4" - 19	9/16" - 18	26.9	31.3	14	19
CFA-04-12	1/4" - 19	3/4" - 16	32	31.3	19	19
CFA-06-07	3/8" - 19	7/16" - 20	28.5	36.5	-	-
CFA-06-09	3/8" - 19	9/16" - 18	28.5	35.8	16	22
CFA-06-09-067	3/8" - 19	9/16" - 18	34	67		
CFA-06-14	3/8" - 19	7/8" - 14				
CFA-08-09	1/2" - 14	9/16" - 18	32.5	43.2	22	27
CFA-08-12	1/2" - 14	3/4" - 16	34.8	43.2	22	27
CFA-08-12-078	1/2" - 14	3/4" - 16	37	78		
CFA-08-14	1/2" - 14	7/8" - 14	37.8	43.2	22	27
CFA-08-17	1/2" - 14	1.1/16" - 12	44.2	46.5	27	27
CFA-12-12	3/4" - 14	3/4" - 16	37.9	49.3	27	32
CFA-12-14	3/4" - 14	7/8" - 14	41	49.3	27	32
CFA-12-17	3/4" - 14	1.1/16" - 12	44.2	49.3	27	32
CFA-12-21	3/4" - 14	1.5/16" - 12	49	53	33	32
CFA-16-17	1" - 11	1.1/16" - 12	48	53	33	41
CFA-16-21	1" - 11	1.5/16" - 12	49	53	33	41
CFA-16-26	1" - 11	1.5/8" - 12	55.5	58	41	41
CFA-20-21	1.1/4" - 11	1.5/16" - 12	53.8	58	41	50
CFA-20-26	1.1/4" - 11	1.5/8" - 12	55.5	58	41	50
CFA-24-30	1.1/2" - 11	1.7/8" - 12	60	60	47.5	54.8

90° ELBOWS



CFJ SERIES

BSPP MALE x BSPT MALE



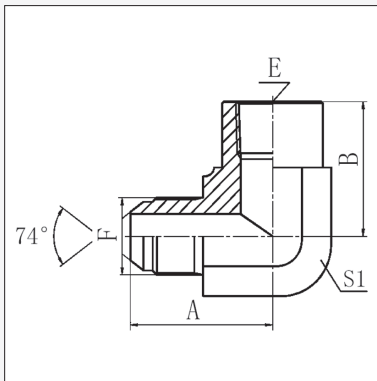
See page D90 for replacement retaining ring and O-Ring for the BSPP thread (Product Codes **RRB** and **RROB**)

Product Code	Thread		Dimensions mm			
	E (BSPP)	F (BSPT)	A	B	S1	S2
CFJ-02-02 †	1/8" - 28	1/8" - 28				
CFJ-04-04	1/4" - 19	1/4" - 19	25.5	31.3	14	19
CFJ-06-04	3/8" - 19	1/4" - 19	26.5	35.8	16	22
CFJ-06-06	3/8" - 19	3/8" - 19	27.5	36.8	16	22
CFJ-06-08	3/8" - 19	1/2" - 14	38	40	21	22
CFJ-08-06	1/2" - 14	3/8" - 19	32.5	43.2	22	27
CFJ-08-08	1/2" - 14	1/2" - 14	37	43.2	22	27
CFJ-08-12	1/2" - 14	3/4" - 14	45	47	26	27
CFJ-12-08	3/4" - 14	1/2" - 14	39.5	49.3	27	32
CFJ-12-12	3/4" - 14	3/4" - 14	43	49.3	27	32
CFJ-12-16	3/4" - 14	1" - 11	50	53	33	27
CFJ-16-12	1" - 11	3/4" - 14	48	53	33	41
CFJ-16-16	1" - 11	1" - 11	50	53	33	41
CFJ-20-16	1.1/4" - 11	1" - 11	55.5	58	41	50
CFJ-20-20	1.1/4" - 11	1.1/4" - 11	57	58	41	50
CFJ-24-24	1.1/2" - 11	1.1/2" - 11	62.5	63	48	55

† Non-Stocked, available on request

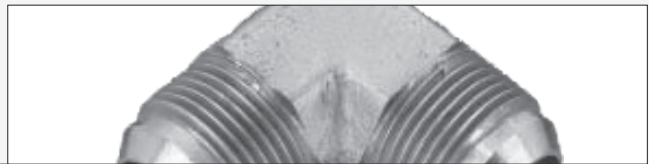
CLA SERIES

BSPT FIXED FEMALE x JIC MALE



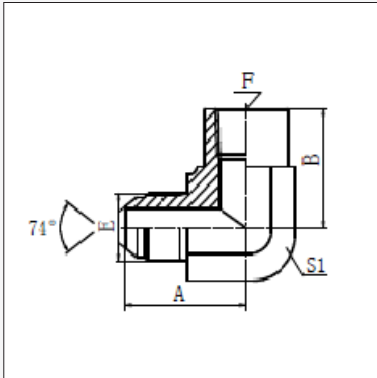
Product Code	Thread		Dimensions mm			
	E (BSPT)	F (JIC)	A	B	S1	
CLA-02-07	1/8" - 28	7/16" - 20	27.5	20	16	
CLA-04-09	1/4" - 19	9/16" - 18	30.5	25	19	
CLA-06-12	3/8" - 19	3/4" - 16	36	27	24	
CLA-08-12	1/2" - 14	3/4" - 16	39.5	31.5	30	
CLA-08-14	1/2" - 14	7/8" - 14	42.5	31.5	30	
CLA-12-17	3/4" - 14	1.1/16" - 12	48	37	33	
CLA-16-21	1" - 11	1.5/16" - 12	53	43	41	

90° ELBOWS



CLAN SERIES

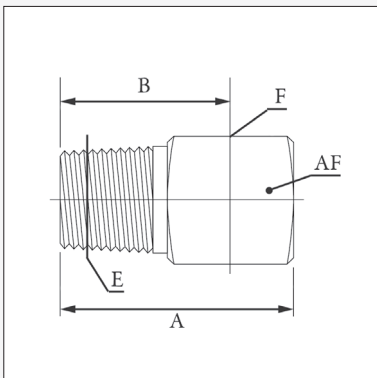
NPT FIXED FEMALE x JIC MALE



Product Code	Thread		Dimensions mm				
	E (NPT)	F (JIC)	A	B	S1		
CLAN-04-07	1/4" - 19	7/16" - 20	30.9	22.4	19		
CLAN-08-12	1/2" - 14	3/4" - 16	39.5	31.2	30		
CLAN-08-17	1/2" - 14	1.1/16" - 12	46	31.2	30		
CLAN-16-21	1" - 11½	1.5/16" - 12	55.1	41.1	41		

CLF SERIES

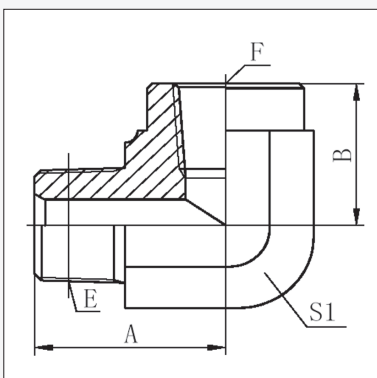
NPT MALE x NPT FEMALE LOW PROFILE



Product Code	Thread		Dimensions mm				
	E (NPT)	F (NPT)	A	B	AF		
CLF-02-02	1/8" - 27	1/8" - 27	25.9	19.1	12.7		
CLF-04-04	1/4" - 18	1/4" - 18	51	39.9	22.2		
CLF-06-06	3/8" - 18	3/8" - 18	50.9	39.8	22.2		
CLF-08-08	1/2" - 14	1/2" - 14	65	50.8	28.5		

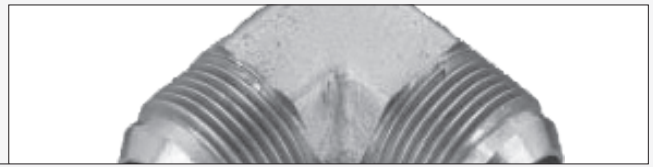
CLJ SERIES

BSPT MALE x BSPT FIXED FEMALE

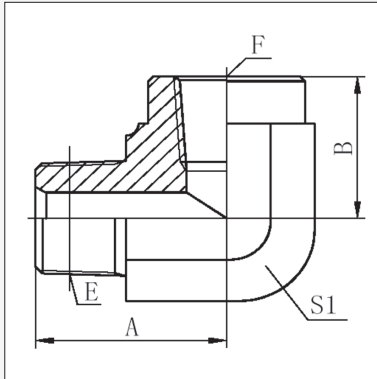


Product Code	Thread		Dimensions mm				
	E (BSPT)	F (BSPT)	A	B	S1		
CLJ-02-02	1/8" - 28	1/8" - 28	24.5	23	16		
CLJ-04-04	1/4" - 19	1/4" - 19	28.5	25	19		
CLJ-06-06	3/8" - 19	3/8" - 19	33.5	25	24		
CLJ-08-06	1/2" - 14	3/8" - 19	40.8	25	30		
CLJ-08-08	1/2" - 14	1/2" - 14	40.8	31.5	30		
CLJ-12-12	3/4" - 14	3/4" - 14	47.5	37	33		
CLJ-16-16	1" - 11	1" - 11	56.5	43	41		
CLJ-20-20	1.1/4" - 11	1.1/4" - 11	61	50	48		

90° ELBOWS

**CLJN** SERIES

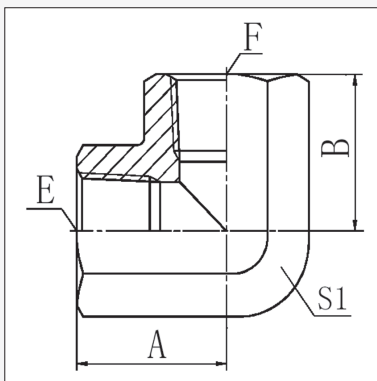
NPT MALE x NPTF FIXED FEMALE



Product Code	Thread		Dimensions mm			
	E (NPT)	F (NPT)	A	B	S1	
CLJN-04-04	1/4" - 18	1/4" - 18	28	22.4	19	
CLJN-06-06	3/8" - 18	3/8" - 18	33.5	25	24	
CLJN-08-08	1/2" - 14	1/2" - 14	41.2	31.2	30	
CLJN-12-12	3/4" - 14	3/4" - 14	45.2	34.5	33	
CLJN-16-16	1" - 11½	1" - 11½	54.5	41.1	41	
CLJN-20-20	1.1/4" - 11½	1.1/4" - 11½	63	43.2	48	
CLJN-24-24	1.1/2" - 11½	1.1/2" - 11½	71.5	52.8	63	

CLP SERIES

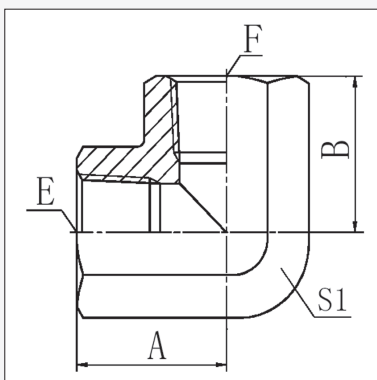
BSPT FIXED FEMALE x BSPT FIXED FEMALE



Product Code	Thread		Dimensions mm			
	E (BSPT)	F (BSPT)	A	B	S1	
CLP-02-02	1/8" - 28	1/8" - 28	20	20	16	
CLP-04-04	1/4" - 19	1/4" - 19	22.5	22.5	19	
CLP-06-06	3/8" - 19	3/8" - 19	26	26	24	
CLP-08-08	1/2" - 14	1/2" - 14	31	31	27	
CLP-12-12	3/4" - 14	3/4" - 14	34	34	33	
CLP-16-16	1" - 11	1" - 11	42	42	41	
CLP-20-20	1.1/4" - 11	1.1/4" - 11	48	48	50	
CLP-24-24	1.1/2" - 11	1.1/2" - 11	53	53	60	
CLP-32-32	2" - 11	2" - 11	62	62	70	

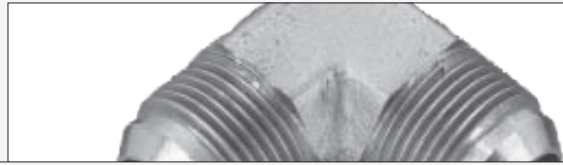
CLPN SERIES

NPT FIXED FEMALE x NPT FIXED FEMALE



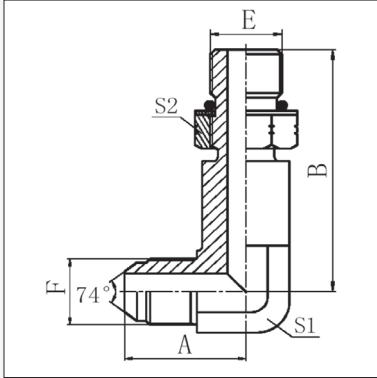
Product Code	Thread		Dimensions mm			
	E (NPT)	F (NPT)	A	B	S1	
CLPN-02-02	1/8" - 28	1/8" - 28	20	20	16	
CLPN-04-04	1/4" - 18	1/4" - 18	22.5	22.5	19	
CLPN-06-06	3/8" - 18	3/8" - 18	26	26	24	
CLPN-08-08	1/2" - 14	1/2" - 14	31	31	27	
CLPN-12-12	3/4" - 14	3/4" - 14	34	34	33	
CLPN-16-16	1" - 11½	1" - 11½	42	42	41	
CLPN-20-20	1.1/4" - 11½	1.1/4" - 11½	48	48	50	

90° ELBOWS



CSA SERIES

UN'O' EXTENDED MALE x JIC MALE

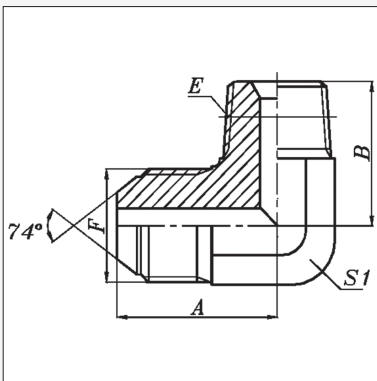


Product Code	Thread		Dimensions mm			
	E (UN'O')	F (JIC)	A	B	S1	S2
CSA-07-07 †	7/16" - 20	7/16" - 20	24.5	44	11	17
CSA-09-09	9/16" - 18	9/16" - 18	26.9	52.8	14	19
CSA-12-12	3/4" - 16	3/4" - 16	33	63.5	19	24
CSA-14-12	7/8" - 14	3/4" - 16	33	73.4	22	24
CSA-14-14 †	7/8" - 14	7/8" - 14	37.8	73.4	22	27
CSA-14-17 †	7/8" - 14	1.1/16" - 12	44.2	73.4	27	27
CSA-17-17 †	1.1/16" - 12	1.1/16" - 12	44.2	84.8	27	32
CSA-17-21	1.1/16" - 12	1.5/16" - 12	44	78	33.3	31.7
CSA-21-21	1.5/16" - 12	1.5/16" - 12	46.5	94.5	33	38

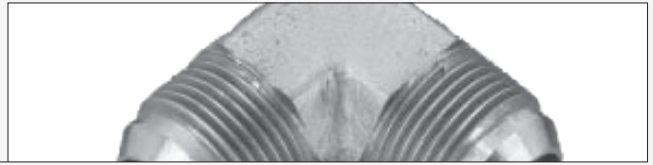
† Non-Stocked, Available on request

CVA SERIES

BSPT MALE x JIC MALE

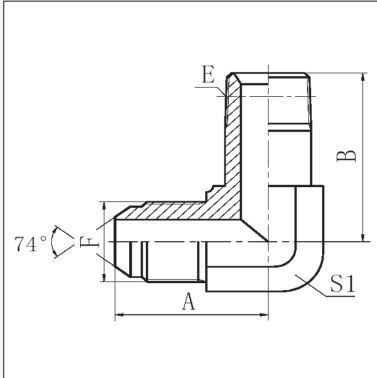


Product Code	Thread		Dimensions mm			
	E (BSPT)	F (JIC)	A	B	S1	
CVA-02-07	1/8" - 28	7/16" - 20	24.5	21	11	
CVA-02-08	1/8" - 28	1/2" - 20	26.6	23.5	14	
CVA-02-09	1/8" - 28	9/16" - 18	26.9	23.5	14	
CVA-04-07	1/4" - 19	7/16" - 20	26.6	25.5	14	
CVA-04-08	1/4" - 19	1/2" - 20	26.6	25.5	14	
CVA-04-09	1/4" - 19	9/16" - 18	26.9	25.5	14	
CVA-04-10	1/4" - 19	5/8" - 18 †				
CVA-04-12	1/4" - 19	3/4" - 16	32	28	19	
CVA-06-07	3/8" - 19	7/16" - 20	27.5	28	16	
CVA-06-08	3/8" - 19	1/2" - 20	27.5	28	16	
CVA-06-09	3/8" - 19	9/16" - 18	28.5	28.5	16	
CVA-06-10	3/8" - 19	5/8" - 18 †				
CVA-06-12	3/8" - 19	3/4" - 16	32	30.5	19	
CVA-06-14	3/8" - 19	7/8" - 14	38	32	22	
CVA-08-07	1/2" - 14	7/16" - 20	31.5	36	22	
CVA-08-09	1/2" - 14	9/16" - 18	32	36	22	
CVA-08-10	1/2" - 14	5/8" - 18 †				
CVA-08-12	1/2" - 14	3/4" - 16	34.8	36	22	
CVA-08-14	1/2" - 14	7/8" - 14	37.8	36	22	
CVA-08-17	1/2" - 14	1.1/16" - 12	44.2	40	27	
CVA-12-09	3/4" - 14	9/16" - 18	35	44	27	
CVA-12-12	3/4" - 14	3/4" - 16	37.9	43.5	27	
CVA-12-14	3/4" - 14	7/8" - 14	41	43.5	27	
CVA-12-17	3/4" - 14	1.1/16" - 12	44.2	43.5	27	
CVA-12-19	3/4" - 14	1.3/16" - 12				
CVA-12-21	3/4" - 14	1.5/16" - 12	49	47.5	33	
CVA-16-12	1" - 11	3/4" - 16	41.5	50	33	
CVA-16-14	1" - 11	7/8" - 14	46	50	33	
CVA-16-17	1" - 11	1.1/16" - 12	47.8	50	33	
CVA-16-21	1" - 11	1.5/16" - 12	49	50	33	
CVA-16-26	1" - 11	1.5/8" - 12	55.5	56.5	41	
CVA-20-21	1.1/4" - 11	1.5/16" - 12	54	56.5	41	
CVA-20-26	1.1/4" - 11	1.5/8" - 12	55.5	56.5	41	
CVA-20-30	1.1/4" - 11	1.7/8" - 12				
CVA-24-30	1.1/2" - 11	1.7/8" - 12	62.5	62.5	48	
CVA-32-40	2" - 11	2.1/2" - 12	75.4	67	63	



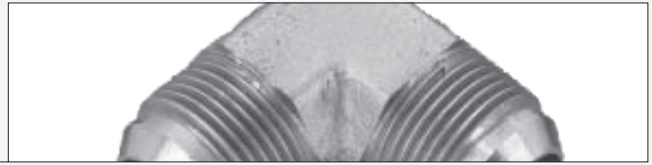
CVAN SERIES

NPT MALE x JIC MALE

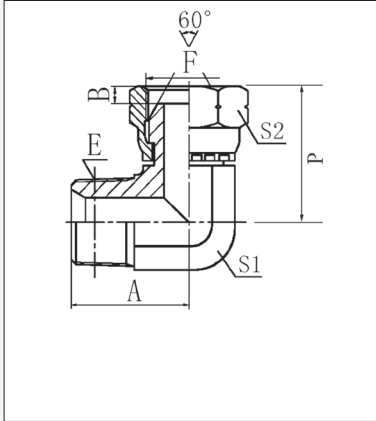


Product Code	Thread		Dimensions mm			
	E (NPT)	F (JIC)	A	B	S1	
CVAN-02-07	1/8" - 27	7/16" - 20	24.5	21	11	
CVAN-02-07-030	1/8" - 27	7/16" - 20	24.5	30	11	
CVAN-02-07-039	1/8" - 27	7/16" - 20	22.5	39.5	11	
CVAN-02-07-058	1/8" - 27	7/16" - 20	22.5	58.0	11	
CVAN-02-08	1/8" - 27	1/2" - 20	26.6	23.5	14	
CVAN-02-09	1/8" - 27	9/16" - 18	26.9	23.5	14	
CVAN-04-07	1/4" - 18	7/16" - 20	26.6	25.5	14	
CVAN-04-07-030	1/4" - 18	7/16" - 20	26.6	30	14	
CVAN-04-07-052	1/4" - 18	7/16" - 20	27	52.5	14	
CVAN-04-08	1/4" - 18	1/2" - 20	26.6	25.5	14	
CVAN-04-09	1/4" - 18	9/16" - 18	26.9	25.5	14	
CVAN-04-09-040	1/4" - 18	9/16" - 18	26.9	40.1	14	
CVAN-04-10	1/4" - 18	5/8" - 18 †	28	26	15	
CVAN-04-12	1/4" - 18	3/4" - 16	32	28.5	19	
CVAN-06-07	3/8" - 18	7/16" - 20	29.5	31	19	
CVAN-06-09	3/8" - 18	9/16" - 18	30	31	19	
CVAN-06-12	3/8" - 18	3/4" - 16	32	31	19	
CVAN-06-12-046	3/8" - 18	3/4" - 16	32	46.2	19	
CVAN-06-14	3/8" - 18	7/8" - 14	37.8	32.5	22	
CVAN-08-07	1/2" - 14	7/16" - 20	33.5	37.3	22	
CVAN-08-09	1/2" - 14	9/16" - 18	32	36.7	22	
CVAN-08-12	1/2" - 14	3/4" - 16	34.8	37.3	22	
CVAN-08-12-055	1/2" - 14	3/4" - 16	34.8	55.1	22	
CVAN-08-14	1/2" - 14	7/8" - 14	37.8	37.3	22	
CVAN-08-17	1/2" - 14	1.1/16" - 12	44.2	40	27	
CVAN-12-12	3/4" - 14	3/4" - 16	37.9	44	27	
CVAN-12-14	3/4" - 14	7/8" - 14	41	44	27	
CVAN-12-17	3/4" - 14	1.1/16" - 12	44.2	44	27	
CVAN-12-21	3/4" - 14	1.5/16" - 12	49	45.2	33	
CVAN-16-17	1" - 11.5	1.1/16" - 12	49	50	33	
CVAN-16-21	1" - 11.5	1.5/16" - 12	49	50	33	
CVAN-20-21	1.1/4" - 11.5	1.5/16" - 12	54	60.5	41	
CVAN-20-26	1.1/4" - 11.5	1.5/8" - 12	55.5	54.5	41	
CVAN-20-30	1.1/4" - 11.5	1.7/8" - 12	62.5	63	48	
CVAN-24-30	1.1/2" - 11.5	1.7/8" - 12	75.4	70	63	
CVAN-32-40	2" - 11.5	2.1/2" - 12	75.4	67.5	63	

90° ELBOWS

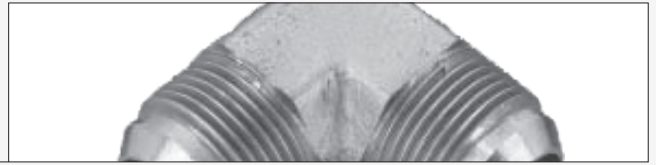


CVD SERIES BSPT MALE x BSPP FEMALE



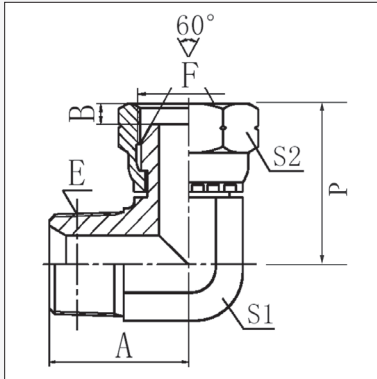
Product Code	Thread		Dimensions mm				
	E (BSPT)	F (BSPP)	A	B	S1	S2	P
CVD-02-02	1/8" - 28	1/8" - 28	21	5.5	11	14	30
CVD-04-04	1/4" - 19	1/4" - 19	25.5	5.5	14	19	33
CVD-06-04	3/8" - 19	1/4" - 19	28.5	5.5	16	19	33
CVD-06-06	3/8" - 19	3/8" - 19	28.5	6.3	16	22	36
CVD-06-08	3/8" - 19	1/2" - 14	30.5	7.5	19	27	36
CVD-08-06	1/2" - 14	3/8" - 19	36	6.3	22	22	42
CVD-08-08	1/2" - 14	1/2" - 14	36	7.5	22	27	42
CVD-08-12	1/2" - 14	3/4" - 14	39.2	10.4	26.6	31.7	42
CVD-12-12	3/4" - 14	3/4" - 14	43.5	10.9	27	32	50
CVD-16-16	1" - 11	1" - 11	50	11.7	33	41	59
CVD-20-20	1.1/4" - 11	1.1/4" - 11	58	11	41	50	62
CVD-24-24	1.1/2" - 11	1.1/2" - 11	62.5	13	48	55	72
CVD-32-32	2"-11	2"-11	70	16	63	70	80

90° ELBOWS



CVDN SERIES

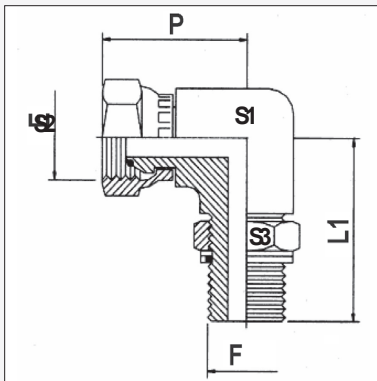
NPT MALE x NPSM FEMALE



Product Code	Thread		Dimensions mm				
	E (NPT)	F (NPSM)	A	B	S1	S2	P
CVDN-02-02	1/8" - 27	1/8" - 27	21	3.5	11	15	30
CVDN-04-04	1/4" - 18	1/4" - 18	25.5	4.6	14	19	33
CVDN-06-06	3/8" - 18	3/8" - 18	31	6	19	22	36
CVDN-06-08	3/8" - 18	1/2" - 14	31	7.5	19	27	36
CVDN-08-08	1/2" - 14	1/2" - 14	37.3	7.5	22	27	42
CVDN-12-12	3/4" - 14	3/4" - 14	43.5	8.9	27	32	50
CVDN-16-16	1" - 11.5	1" - 11.5	50	10.5	33	41	59
CVDN-20-20	1.1/4" - 11.5	1.1/4" - 11.5	54.5	11.2	41	50	62
CVDN-24-24	1.1/2" - 11.5	1.1/2" - 11.5	59	11.2	48	55	72
CVDN-32-32	2" - 11.5	2" - 11.5	73.5	11.2	63	70	87

CVDP / CVDPA SERIES

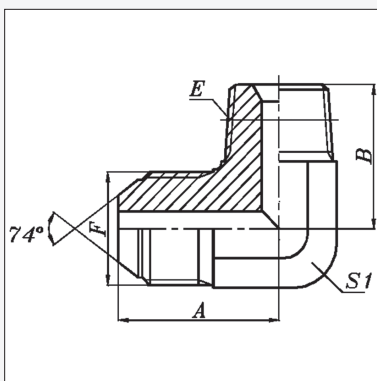
BSPP MALE x BSPP FEMALE



Product Code	Thread		Dimensions mm				
	E (BSPP)	F (BSPP)	L1	P	S1	S2	S3
Non-Adjustable							
CVDP-04-04	1/4" - 28	1/4" - 28	27	28	14	19	-
CVDP-06-06	3/8" - 19	3/8" - 19	28	29	16	22	-
CVDP-08-08	1/2" - 14	1/2" - 14	35	36	22	27	-
CVDP-12-16	3/4" - 14	1" - 11	38.5	36.5	30	41	-
Adjustable Style							
CVDPA-04-04	1/4" - 28	1/4" - 28	31.5	28	14	19	19
CVDPA-06-06	3/8" - 19	3/8" - 19	37	29	16	22	22
CVDPA-08-08	1/2" - 14	1/2" - 14	43	36	22	27	27
CVDPA-12-12	3/4" - 14	3/4" - 14	50	44	27	32	32

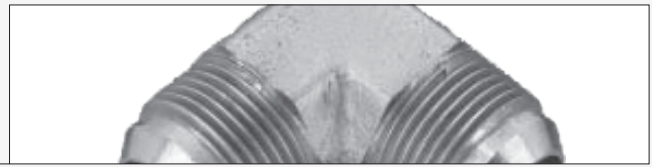
CVE SERIES

BSPT MALE x SAE MALE

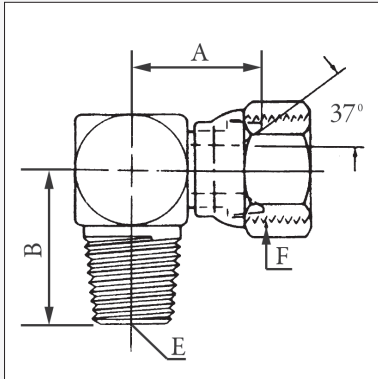


Product Code	Thread		Dimensions mm			
	E (BSPT)	F (SAE)	A	B		
CVE-12-17	3/4" - 16	1.1/16" - 14				

90° ELBOWS

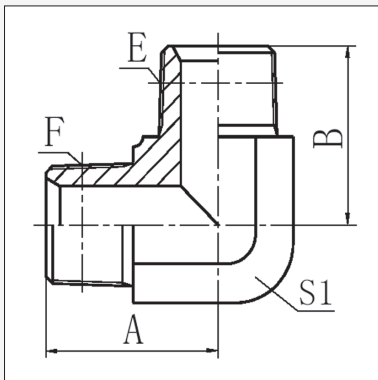


CVF SERIES BSPT MALE x JIC FEMALE



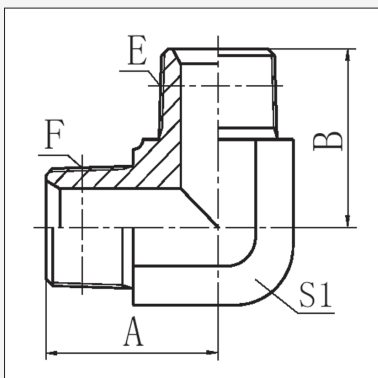
Product Code	Thread		Dimensions mm			
	E (BSPT)	F (JIC)	A	B		
CVF-06-09	3/8" - 19	9/16" - 18	21.6	31		
CVF-12-17	3/4" - 14	1.1 ¹⁶ - 12	28	41		

CVJ SERIES BSPT MALE x BSPT MALE



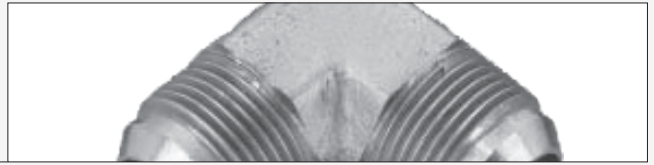
Product Code	Thread		Dimensions mm		
	E (BSPT)	F (BSPT)	A	B	S1
CVJ-02-02	1/8" - 28	1/8" - 28	21	21	11
CVJ-04-02	1/4" - 19	1/8" - 28	23.5	25.5	14
CVJ-04-04	1/4" - 19	1/4" - 19	25.5	25.5	14
CVJ-06-04	3/8" - 19	1/4" - 19	26.5	28.5	16
CVJ-06-06	3/8" - 19	3/8" - 19	28.5	28.5	16
CVJ-08-04	1/2" - 14	1/4" - 19	30.5	36	22
CVJ-08-06	1/2" - 14	3/8" - 19	32.5	36	22
CVJ-08-08	1/2" - 14	1/2" - 14	36	36	22
CVJ-12-08	3/4" - 14	1/2" - 14	39.5	43.5	27
CVJ-12-12	3/4" - 14	3/4" - 14	43.5	43.5	27
CVJ-16-12	1" - 11	3/4" - 14	48	50	33
CVJ-16-16	1" - 11	1" - 11	50	50	33
CVJ-20-16	1.1/4" - 11	1" - 11	56.5	57.5	41
CVJ-20-20	1.1/4" - 11	1.1/4" - 11	56.5	56.5	41
CVJ-24-24	1.1/2" - 11	1.1/2" - 11	62.5	62.5	48
CVJ-32-32	2" - 11	2" - 11	68	75	63

CVJN SERIES NPT MALE x NPT MALE



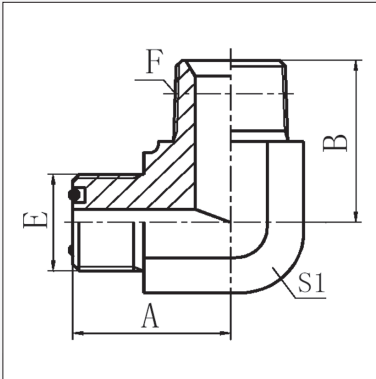
Product Code	Thread		Dimensions mm		
	E (NPT)	F (NPT)	A	B	S1
CVJN-16-16	1" - 11½	1" - 11½	50	50	33

90° ELBOWS



FF1208 SERIES

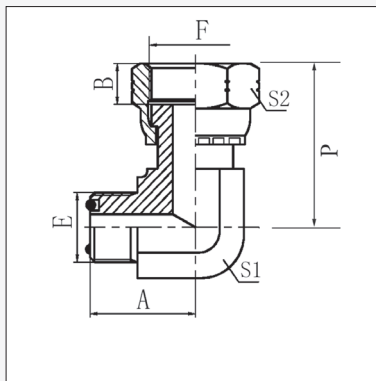
ORFS MALE x NPTF MALE



Product Code	Thread		Dimensions mm			
	E (ORFS)	F (NPT)	A	B	S1	
FF1208-0402	9/16" - 18	1/8" - 27	23	24	14	
FF1208-0404	9/16" - 18	1/4" - 18	23	25.5	14	
FF1208-0604	11/16" - 16	1/4" - 18	27	28.5	19	
FF1208-0606	11/16" - 16	3/8" - 18	27.5	31	19	
FF1208-0806	13/16" - 16	3/8" - 18	31	33.5	22	
FF1208-0808	13/16" - 16	1/2" - 14	31	37.3	22	
FF1208-0812	13/16" - 16	3/4" - 14	34.5	44	27	
FF1208-1008	1" - 14	1/2" - 14	36.5	40	27	
FF1208-1012	1" - 14	3/4" - 14	36.5	44	27	
FF1208-1208	1.3/16" - 12	1/2" - 14	41	41.2	30	
FF1208-1212	1.3/16" - 12	3/4" - 14	41	45.5	30	
FF1208-1612	1.7/16" - 12	3/4" - 14	44.5	49	36	
FF1208-1616	1.7/16" - 12	1" - 11.5	44.5	51.5	36	
FF1208-2020	1.11/16" - 12	1.1/4" - 11.5	47.5	54.5	41	
FF1208-2424	2" - 12	1.1/2" - 11.5	53.5	61	50	

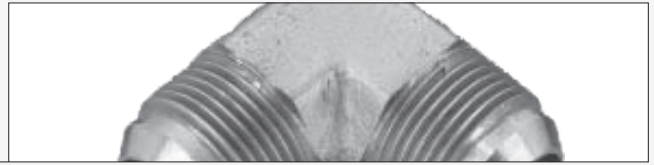
FF1236 SERIES

ORFS MALE x ORFS FEMALE

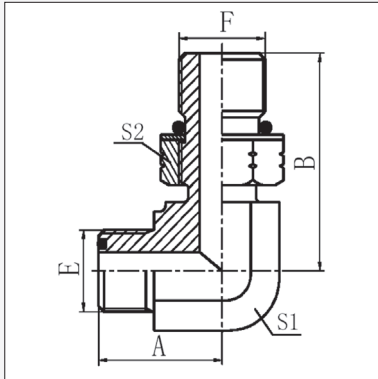


Product Code	Thread		Dimensions mm				
	E (ORFS)	F (ORFS')	A	B	S1	S2	P
FF1236-0404	9/16" - 18	9/16" - 18	23	8.5	14	19	37
FF1236-0606	11/16" - 16	11/16" - 16	27.5	10	19	22	42
FF1236-0808	13/16" - 16	13/16" - 16	31	11	22	27	54
FF1236-1010	1" - 14	1" - 14	36.5	15	27	30	59
FF1236-1212	1.3/16" - 12	1.3/16" - 12	41	15	30	36	66
FF1236-1616	1.7/16" - 12	1.7/16" - 12	48	15	41	41	74
FF1236-2020	1.11/16" - 12	1.11/16" - 12	47.5	15	41	50	79
FF1236-2424	2" - 12	2" - 12	57	66	55	60	83

90° ELBOWS



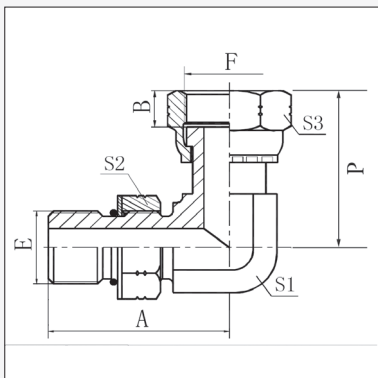
FF1238 SERIES ORFS MALE x UN'O' MALE



Product Code	Thread		Dimensions mm				
	E (ORFS)	F (UN'O')	A	B	S1	S2	
FF1238-0404	9/16" - 18	7/16" - 20	23	30.3	14	17	
FF1238-0406	9/16" - 18	9/16" - 18	23	32	14	19	
FF1238-0408 †	9/16" - 18	3/4" - 16	25.5	38	19	24	
FF1238-0604	11/16" - 16	7/16" - 20	27.5	33.5	19	17	
FF1238-0606	11/16" - 16	9/16" - 18	27.5	34.5	19	19	
FF1238-0608	11/16" - 16	3/4" - 16	27.5	38	19	24	
FF1238-0806	13/16" - 16	9/16" - 18	31	37	22	19	
FF1238-0808	13/16" - 16	3/4" - 16	31	40.5	22	24	
FF1238-0810	13/16" - 16	7/8" - 14	31	45.3	22	27	
FF1238-0812	13/16" - 16	1.1/16" - 12	34.5	52	27	32	
FF1238-1010	1" - 14	7/8" - 14	36.5	50.8	27	27	
FF1238-1012	1" - 14	1.1/16" - 12	36.5	52	27	32	
FF1238-1210 †	1.3/16" - 12	7/8" - 14	41	52.8	30	27	
FF1238-1212	1.3/16" - 12	1.1/16" - 12	41	54	30	32	
FF1238-1214	1.3/16" - 12	1.3/16" - 12					
FF1238-1216	1.3/16" - 12	1.5/16" - 12	43	55.5	33	41	
FF1238-1612	1.7/16" - 12	1.1/16" - 12	48	60	41	32	
FF1238-1616	1.7/16" - 12	1.5/16" - 12	48	60	41	41	
FF1238-2020	1.11/16" - 12	1.5/8" - 12	47.5	60.5	41	50	
FF1238-2424	2" - 12	1.7/8" - 12	53.5	67.5	50	55	

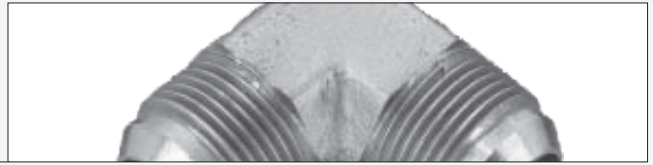
† Available upon request - Non Standard Product

FF1239 SERIES UN'O' MALE x ORFS FEMALE



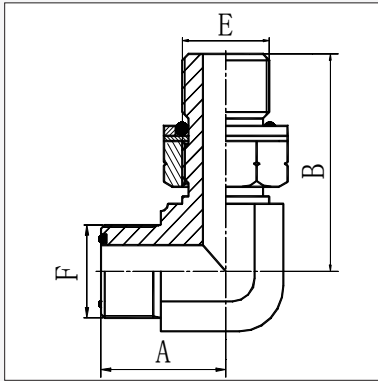
Product Code	Thread		Dimensions mm				
	E (UN'O')	F (ORFS)	A	B	S1	S2	P
FF1239-0404	7/16" - 20	9/16" - 18	30	8.5	14	19	34
FF1239-0606	9/16" - 18	11/16" - 16	34.5	10	16	22	39
FF1239-0808	3/4" - 16	13/16" - 16	37.5	11	19	27	48
FF1239-1010	7/8" - 14	1" - 14	45.2	13.5	22	30	54.5
FF1239-1212	1.1/16" - 12	1.3/16" - 12	52	15	27	36	60.5
FF1239-1616	1.5/16" - 12	1.7/16" - 12	56	15	33	41	68.5
FF1239-2020	1.5/8" - 12	1.11/16" - 12	59	15	41	50	73
FF1239-2424	1.7/8" - 12	2" - 12	63	16	48	55	76

90° ELBOWS



FF1291 SERIES

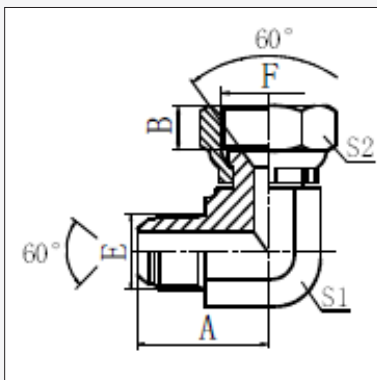
BSPP MALE x ORFS MALE 90° ELBOW



Product Code	Thread		Dimensions mm			
	E (BSPP)	F (ORFS)	A	B		
FF1291-0204	1/8" - 28	9/16" - 18	21.5	30		
FF1291-0404	1/4" - 19	9/16" - 18	23.5	35		
FF1291-0406	1/4" - 19	11/16" - 16	25	36		
FF1291-0408	1/4" - 19	13/16" - 16	28	35		
FF1291-0604	3/8" - 19	9/16" - 18	25	38		
FF1291-0606	3/8" - 19	11/16" - 16	28	38		
FF1291-0608	3/8" - 19	13/16" - 16	28	43		
FF1291-0806	1/2" - 14	11/16" - 16	29.5	43		
FF1291-0808	1/2" - 14	13/16" - 16	31	43		
FF1291-0810	1/2" - 14	1" - 14	33.5	48		
FF1291-0812	1/2" - 14	1.3/16" - 12	37.5	49		
FF1291-1212	3/4" - 14	1.3/16" - 12	37.5	51.5		

CVDJ SERIES

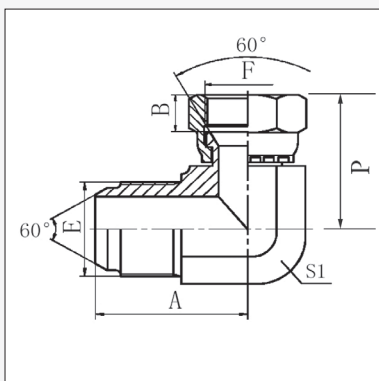
90° JIS BSP MALE X JIS BSP FEMALE



Product Code	Thread		Dimensions mm			
	E (JISBSP)	F (JISBSP)	A	B	S1	S2
CVDJ-06-06	3/8"X19	3/8"X19	31.5	9	16	22

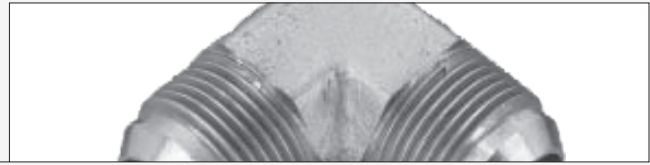
KAB SERIES

JIS METRIC MALE x JIS METRIC FEMALE



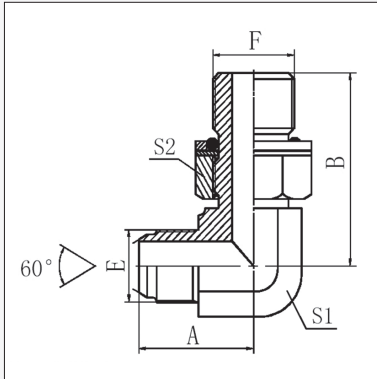
Product Code	Thread		Dimensions mm				
	E (JISMet.)	F (JISMet.)	A	B	S1	NUT	P
KAB-14-14	M14 - 1.5	M14 - 1.5	28.5	10.5	14	19	32
KAB-16-16	M16 - 1.5	M16 - 1.5	31.5	10	16	22	35
KAB-18-18	M18 - 1.5	M18 - 1.5	33.8	11.5	19	24	37
KAB-22-22	M22 - 1.5	M22 - 1.5	38	14	22	27	42
KAB-24-24	M24 - 1.5	M24 - 1.5	41.2	15	24	30	44.5
KAB-30-24	M30 - 1.5	M24 - 1.5	47.5	15	30	30	51
KAB-30-30	M30 - 1.5	M30 - 1.5	48	18.3	30	36	54
KAB-33-33	M33 - 1.5	M33 - 1.5	55	21.3	33	41	64

90° ELBOWS



KEA SERIES

JIS METRIC MALE x JIS METRIC O-RING MALE



Product Code	Thread		Dimensions mm			
	E (JIS Met.)	F (JIS Met.)	A	B	S1	S2
KEA-14-12	M14 - 1.5	M12 - 1.5	25.5	31.5	14	17
KEA-16-14	M16 - 1.5	M14 - 1.5	30.5	34	16	19
KEA-18-14	M18 - 1.5	M14 - 1.5	30.8	35.5	19	19
KEA-18-16	M18 - 1.5	M16 - 1.5	33.8	36	19	22
KEA-18-20	M18 - 1.5	M20 - 1.5	30.8	37	19	27



SECTION 4 45° ELBOWS

PAGE

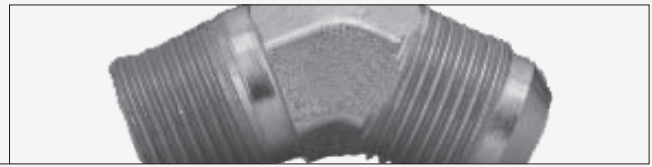
CGB	JIC x JIC	M / F _{sw}	D 49
CJA	BSPT x JIC	M / M	D 49
CJAN	NPT x JIC	M / M	D 50
CJD	BSPT x BSPP	M / F _{sw}	D 50
CJDN	NPT x NPSM	M / F _{sw}	D 51
CJJ	BSPT x BSPT	M / M	D 51
CJP	BSPT FEMALE X BSPT FEMALE	F / F	D 51
CJPN	NPTF x NPTF FIXED	M / F	D 52
CKA	UN'O' x JIC	M / M	D 52
CKB	UN'O' MALE x BSPT MALE	M / M	D 52
FF1206	NPT x ORFS	M / M	D 53
FF1240	ORFS x UN'O'	M / M	D 53
FF1207	ORFS x ORFS	M / F	D 54
CJAP	BSPP X JIC	M / M	D 54



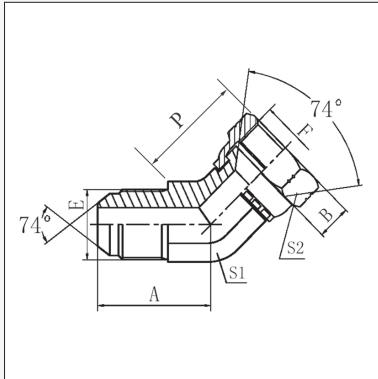
SECTION 5 TUBE WELD

BG	CODE 61 FLANGE x IMP. TUBE	-	D 55
BH	CODE 62 FLANGE x IMP. TUBE	-	D 55
BM	BSPT x IMP. TUBE	M / -	D 56
BP	BSPP x IMP. TUBE	M / -	D 56
BJ	BSPP x IMP. TUBE	F _{sw} / -	D 57
BC	JIC x IMP. TUBE	M / -	D 57
BD	JIC x IMP. TUBE 90° ELBOW	M / -	D 58
BF	JIC x IMP TUBE	F _{sw} / -	D 58
FF3020	ORFS x IMP. TUBE Socket Weld	M / -	D 59
FF3031	ORFS SHOULDER x IMP. TUBE Int.	F / -	D 59
FF3032	ORFS SHOULDER x IMP. TUBE Ext.	F / -	D 60
FF3021	ORFS x ORFS x IMP. TUBE	M / M / -	D 60

45° ELBOWS



CGB SERIES JIC MALE x JIC FEMALE

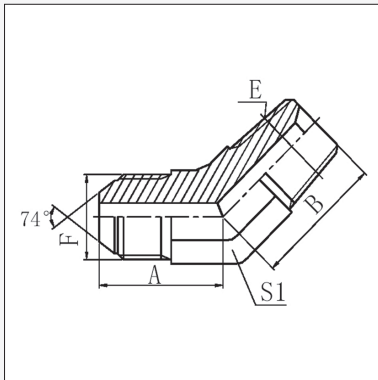


Product Code	Thread		Dimensions mm				
	E (JIC)	F (JIC)	A	B	L	S2	P
CGB-07-07 ^a	7/16" - 20	7/16" - 20	18	9	11	15	24
CGB-08-08	1/2" - 20	1/2" - 20	19.5	9.5	14	17	25.5
CGB-09-09 ^a	9/16" - 18	9/16" - 18	21	10.5	14	19	28.5
CGB-10-10 †	5/8" - 18	5/8" - 18					
CGB-12-12 ^a	3/4" - 16	3/4" - 16	25	11	19	24	32.5
CGB-14-14	7/8" - 14	7/8" - 14	28	13	22	27	36.5
CGB-17-17	1.1/16" - 12	1.1/16" - 12	32.5	15	27	32	38
CGB-21-21 ^a	1.5/16" - 12	1.5/16" - 12	37	16	33	41	44.5
CGB-26-26	1.5/8" - 12	1.5/8" - 12	40.5	17	41	50	51.5
CGB-30-30	1.7/8" - 12	1.7/8" - 12	45	20	48	55	57
CGB-40-40	2.1/2"-12	2.1/2"-12	58	24.5	63	75	

† SAE Thread Form

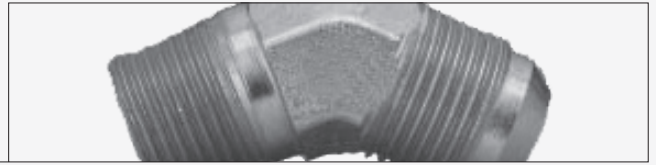
^a Also available with Imperial dimensioned hex nut. **Product Code CGBI**

CJA SERIES BSPT MALE x JIC MALE



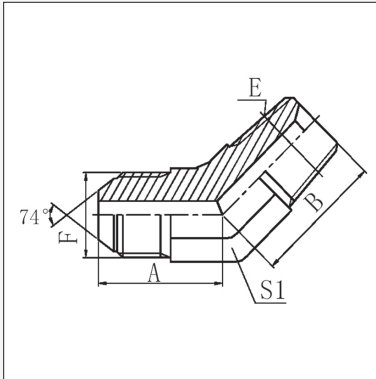
Product Code	Thread		Dimensions mm			
	E (BSPT)	F (JIC)	A	B	S1	
CJA-02-07	1/8" - 28	7/16" - 20	21.5	17	11	
CJA-02-08	1/8" - 28	1/2" - 20	21.5	17.5	14	
CJA-02-09	1/8" - 28	9/16" - 18	22.8	18.2	14	
CJA-04-07	1/4" - 19	7/16" - 20	22.3	21	14	
CJA-04-08	1/4" - 19	1/2" - 20	22.3	21	14	
CJA-04-09	1/4" - 19	9/16" - 18	22.8	21	14	
CJA-04-10	1/4" - 19	5/8" - 18 †	25	21	16	
CJA-04-12	1/4" - 19	3/4" - 16	26.8	22	19	
CJA-06-09	3/8" - 19	9/16" - 18	22	23	16	
CJA-06-10	3/8" - 19	5/8" - 18 †	25	23	16	
CJA-06-12	3/8" - 19	3/4" - 16	26.8	24	19	
CJA-06-14	3/8" - 19	7/8" - 14	31	25	22	
CJA-08-09	1/2" - 14	9/16" - 18	25	29.5	22	
CJA-08-12	1/2" - 14	3/4" - 16	28	29.5	22	
CJA-08-14	1/2" - 14	7/8" - 14	31	29.5	22	
CJA-08-17	1/2" - 14	1.1/16" - 12	35.5	30	27	
CJA-12-12	3/4" - 14	3/4" - 16	29	30.5	27	
CJA-12-14	3/4" - 14	7/8" - 14	32	30.5	27	
CJA-12-17	3/4" - 14	1.1/16" - 12	35.5	30.5	27	
CJA-12-21	3/4" - 14	1.5/16" - 12	38.5	32.5	33	
CJA-16-21	1" - 11	1.5/16" - 12	38.5	38	33	
CJA-20-26	1.1/4" - 11	1.5/8" - 12	43	43	41	
CJA-24-30	1.1/2" - 11	1.7/8" - 12	49	47.5	48	

45° ELBOWS



CJAN SERIES

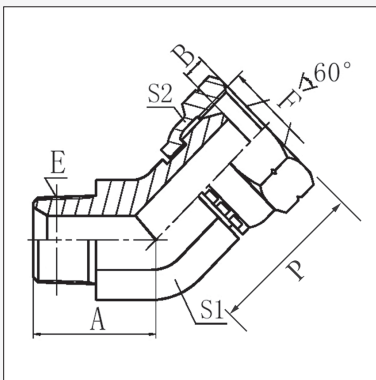
NPT MALE x JIC MALE



Product Code	Thread		Dimensions mm			
	E (NPT)	F (JIC)	A	B	S1	
CJAN-02-07	1/8" - 27	7/16" - 20	21.5	17	11	
CJAN-02-08	1/8" - 27	1/2" - 20	22.3	18	14	
CJAN-04-07	1/4" - 18	7/16" - 20	22.3	21	14	
CJAN-04-08	1/4" - 18	1/2" - 20	22.3	21	14	
CJAN-04-09	1/4" - 18	9/16" - 18	22.8	21	14	
CJAN-04-10	1/4" - 18	5/8" - 18 †	25	21	16	
CJAN-04-12	1/4" - 18	3/4" - 16	26.8	22	19	
CJAN-06-09	3/8" - 18	9/16" - 18	24	24	19	
CJAN-06-12	3/8" - 18	3/4" - 16	26.8	24	19	
CJAN-06-14	3/8" - 18	7/8" - 14	31	26	22	
CJAN-08-09	1/2" - 14	9/16" - 18	25	29.5	22	
CJAN-08-12	1/2" - 14	3/4" - 16	28	29.5	22	
CJAN-08-14	1/2" - 14	7/8" - 14	31	29.5	22	
CJAN-12-12	3/4" - 14	3/4" - 16	29	35	27	
CJAN-12-14	3/4" - 14	7/8" - 14	32	35	27	
CJAN-12-17	3/4" - 14	1.1/16" - 12	35.5	35	27	
CJAN-16-17	1" - 11.5	1.1/16" - 12				
CJAN-16-21	1" - 11.5	1.5/16" - 12	38.5	39	33	
CJAN-20-26	1.1/4" - 11.5	1.5/8" - 12	43	42	41	
CJAN-24-30	1.1/2" - 11.5	1.7/8" - 12	49	47.5	48	

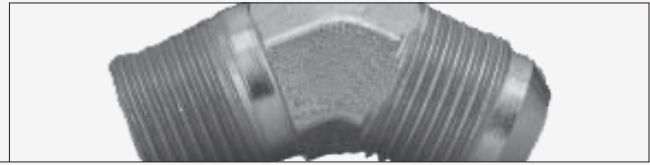
CJD SERIES

BSPT MALE x BSPP FEMALE

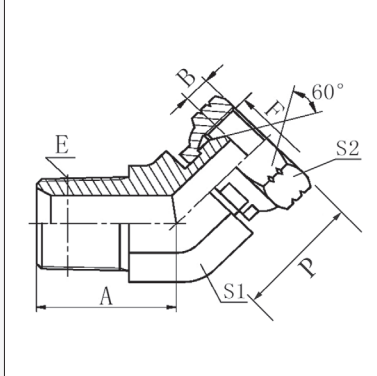


Product Code	Thread		Dimensions mm				
	E (BSPT)	F (BSPP)	A	B	S1	S2	P
CJD-02-02	1/8" - 28	1/8" - 28	17	5.5	11	14	25
CJD-04-04	1/4" - 19	1/4" - 19	21	5.5	14	19	27
CJD-06-06	3/8" - 19	3/8" - 19	23	6.3	16	22	30
CJD-08-08	1/2" - 14	1/2" - 14	29.5	7.5	22	27	33
CJD-12-12	3/4" - 14	3/4" - 14	30.5	10.9	27	32	41
CJD-16-16	1" - 11	1" - 11	38	11.7	33	41	46
CJD-20-20	1.1/4" - 11	1.1/4" - 11	43	11	41	50	48
CJD-24-24	1.1/2" - 11	1.1/2" - 11	47.5	13	48	55	56

45° ELBOWS

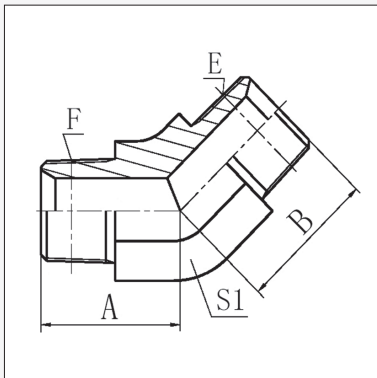


CJDN SERIES NPT MALE x NPSM FEMALE



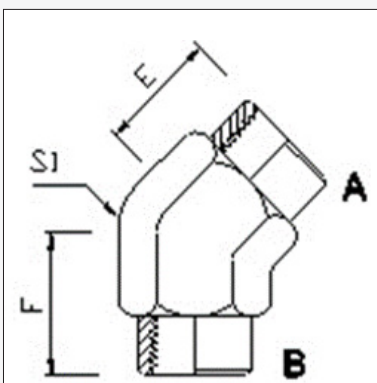
Product Code	Thread		Dimensions mm				
	E (NPT)	F (NPSM)	A	B	S1	S2	P
CJDN-02-02	1/8" - 27	1/8" - 27	17	3.5	11	15	25
CJDN-04-04	1/4" - 18	1/4" - 18	21	4.6	14	19	27
CJDN-06-06	3/8" - 18	3/8" - 18	24	6	19	22	30
CJDN-08-08	1/2" - 14	1/2" - 14	29.5	7.5	22	27	33
CJDN-12-12	3/4" - 14	3/4" - 14	35	8.9	27	32	41
CJDN-16-16	1" - 11.5	1" - 11.5	39	10.5	33	41	46
CJDN-20-20	1.1/4" - 11.5	1.1/4" - 11.5	42.5	11.2	41	50	48
CJDN-24-24	1.1/2" - 11.5	1.1/2" - 11.5	45	11.2	48	55	56
CJDN-32-32	2" - 11.5	2" - 11.5	52.5	11.2	63	70	60

CJJ SERIES BSPT MALE x BSPT MALE



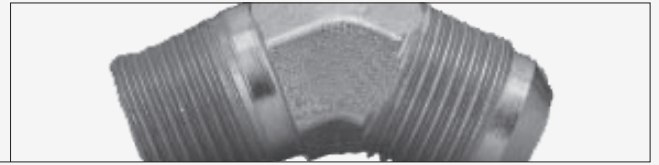
Product Code	Thread		Dimensions mm			
	E (BSPT)	F (BSPT)	A	B	S1	
CJJ-02-02	1/8" - 28	1/8" - 28	17	17	11	
CJJ-04-04	1/4" - 19	1/4" - 19	21	21	14	
CJJ-06-04	3/8" - 19	1/4" - 19	21	23	16	
CJJ-06-06	3/8" - 19	3/8" - 19	23	23	16	
CJJ-08-06	1/2" - 14	3/8" - 19	25	29.5	22	
CJJ-08-08	1/2" - 14	1/2" - 14	29.5	29.5	22	
CJJ-12-08	3/4" - 14	1/2" - 14	30	30.5	27	
CJJ-12-12	3/4" - 14	3/4" - 14	30.5	30.5	27	
CJJ-16-12	1" - 11	3/4" - 14	32.5	38	33	
CJJ-16-16	1" - 11	1" - 11	38	38	33	

CJP SERIES BSPT FEMALE X BSPT FEMALE

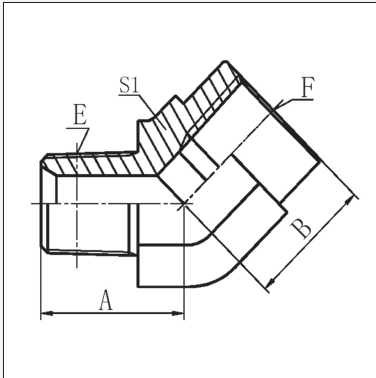


Product Code	Thread		Dimensions mm		
	A (BSPT)	B (BSPT)	E	F	S1
CJP-04-04	1/4"-19	1/4"-19	17.5	17.5	19

45° ELBOWS

**CJPN** SERIES

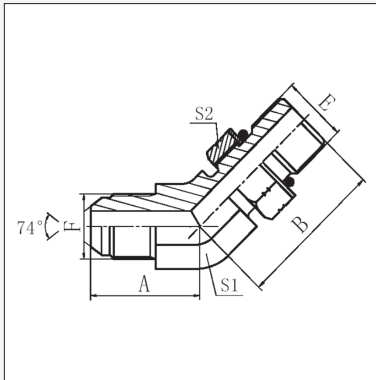
NPT MALE x NPTF FIXED FEMALE



Product Code	Thread		Dimensions mm			
	E (NPT)	F (NPTF)	A	B	S1	
CJPN-02-02	1/8" - 27	1/8" - 27	19	17	16	
CJPN-04-04	1/4" - 18	1/4" - 18	22	20	19	
CJPN-06-06	3/8" - 18	3/8" - 18	27	19	24	
CJPN-08-08	1/2" - 14	1/2" - 14	31.7	28	30	
CJPN-12-12	3/4" - 14	3/4" - 14	36.5	30	33	
CJPN-16-16	1" - 11.5	1" - 11.5	42.5	37.5	41	

CKA SERIES

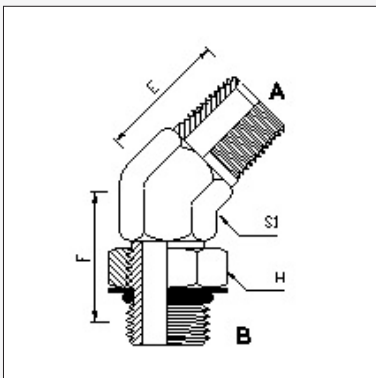
UN'O' MALE x JIC MALE



Product Code	Thread		Dimensions mm			
	E (UN'O')	F (JIC)	A	B	S1	S2
CKA-07-07	7/16" - 20	7/16" - 20	21	24	11	17
CKA-09-07	9/16" - 18	7/16" - 20	22.3	27.5	14	19
CKA-09-09	9/16" - 18	9/16" - 18	23.5	28	14	19
CKA-09-12	9/16" - 18	3/4" - 16	25.8	30	19	19
CKA-12-09	3/4" - 16	9/16" - 18	25.8	30	19	19
CKA-12-12	3/4" - 16	3/4" - 16	25.8	32.5	19	24
CKA-12-14	3/4" - 16	7/8" - 14	29.5	33	22	27
CKA-14-12	7/8" - 14	3/4" - 16	28	38.7	22	27
CKA-14-14	7/8" - 14	7/8" - 14	29.5	38.7	22	27
CKA-14-17	7/8" - 14	1.1/16" - 12	34	42	27	27
CKA-17-12	1.1/16" - 12	3/4" - 16	30	43.9	27	32
CKA-17-14	1.1/16" - 12	7/8" - 14	33	43.9	27	32
CKA-17-17	1.1/16" - 12	1.1/16" - 12	34	43.5	27	32
CKA-21-21	1.5/16" - 12	1.5/16" - 12	38	45.5	33	41
CKA-21-26	1.5/16" - 12	1.5/8" - 12	38	46	40	37.7
CKA-26-26	1.5/8" - 12	1.5/8" - 12	42	48.5	41	50

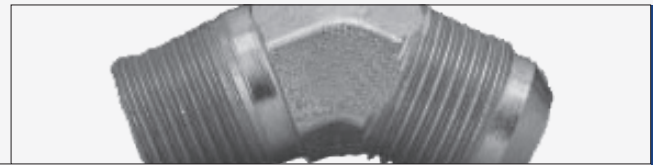
CKB SERIES

UN'O' MALE x BSPT MALE

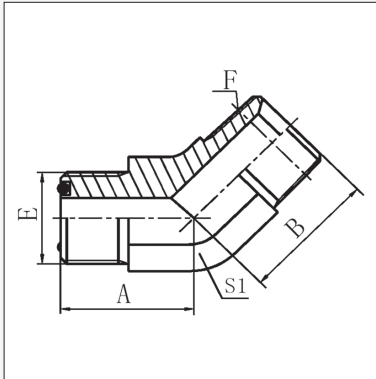


"Product Code"	Thread		Dimensions mm			
	B (UNO)	A (BSPT)	E	F	S1	H
CKB-12-08	3/4"-16	1/2"-14	30	33	22	24

45° ELBOWS

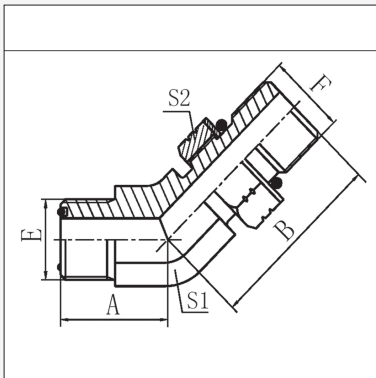


FF1206 SERIES ORFS MALE x NPTF MALE



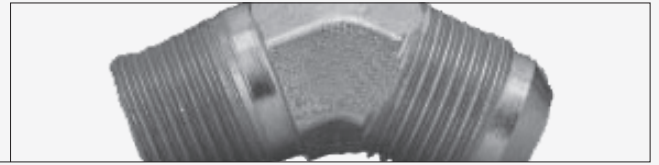
Product Code	Thread		Dimensions mm			
	E (ORFS)	F (NPTF)	A	B	S1	
FF1206-0402	9/16" - 18	1/8" - 27	18.3	18	14	
FF1206-0404	9/16" - 18	1/4" - 18	18.3	21	14	
FF1206-0604	11/16" - 16	1/4" - 18	20.5	22	19	
FF1206-0606	11/16" - 16	3/8" - 18	20.5	24	19	
FF1206-0808	13/16" - 16	1/2" - 14	24	29.5	22	

FF1240 SERIES ORFS MALE x UN'O' MALE



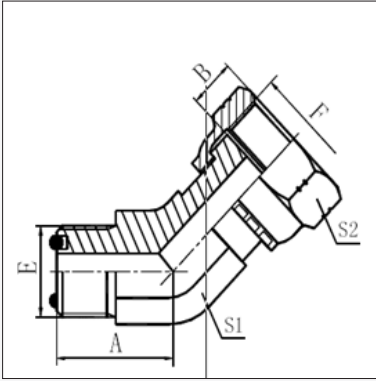
Product Code	Thread		Dimensions mm			
	E (ORFS)	F (UN'O')	A	B	L	S1
FF1240-0404	9/16" - 18	7/16" - 20	18.3	26	14	17
FF1240-0406	9/16" - 18	9/16" - 18	18.3	23	14	19
FF1240-0604	11/16" - 16	7/16" - 20	20.5	27.3	19	17
FF1240-0606	11/16" - 16	9/16" - 18	20.5	29.5	19	19
FF1240-0608	11/16" - 16	3/4" - 16	20.5	32.5	19	24
FF1240-0808	13/16" - 16	3/4" - 16	24	34	22	24
FF1240-0810	13/16" - 16	7/8" - 14	24	39.5	22	27
FF1240-1008	1" - 14	3/4" - 16	28	34	27	24
FF1240-1010	1" - 14	7/8" - 14	28	39.5	27	27
FF1240-1012	1" - 14	1.1/16" - 12	28	44	27	32
FF1240-1210	1.3/16" - 12	7/8" - 14	31.5	43.3	33	27
FF1240-1212	1.3/16" - 12	1.1/16" - 12	31.5	46	33	32
FF1240-1216	1.3/16" - 12	1.5/16" - 12	32.5	47.9	36	41
FF1240-1612	1.7/16" - 12	1.1/16" - 12	33	47.9	36	32
FF1240-1616	1.7/16" - 12	1.5/16" - 12	33	47.9	36	41
FF1240-1620	1.7/16" - 12	1.5/8" - 12	33	47.9	36	32
FF1240-2020	1.11/16" - 12	1.5/8" - 12	35.5	50.5	41	50
FF1240-2424	2" - 12	1.7/8" - 12	39	53.5	50	55

45° ELBOWS



FF1207 SERIES

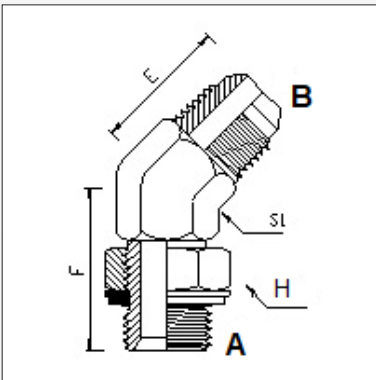
ORFS MALE X ORFS FEMALE



Product Code	Thread		Dimensions mm				
	E (ORFS)	F (ORFS)	E O-Ring	A	B	S1	S2
FF1207-0404	9/16"-18	9/16"-18	O011	20.4	8.2	14	17
FF1207-0606	11/16"-16	11/16"-16	O012	23.9	9	19	22
FF1207-0808	13/16"-16	13/16"-16	O014	24	11	22	27
FF1207-1010	1"-14	1"-14	O016	28	13	27	30

CJAP SERIES

BSPB MALE X JIC MALE

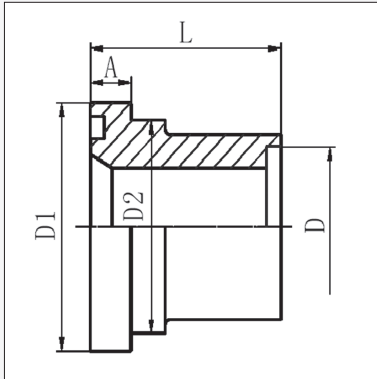


"Product Code"	Thread		Dimensions mm			
	A (BSPB)	B (JIC)	E	F	S1	H
CJAP-04-09	1/4"-19	9/16"-18	22	28	14	19
CJAP-06-09	3/8"-19	9/16"-18	23	32	19	22
CJAP-08-09	1/2"-14	9/16"-18	25	36	22	27

TUBE WELD

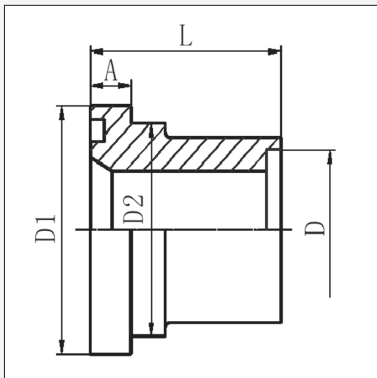


BG SERIES CODE 61 FLANGE x IMPERIAL TUBE



Product Code	Flange Size	Tube Recess	Max.Work. Pressure	Dimensions (mm)			
	ins.	øD mm	bar	A	D1	D2	L
BG-08-08	1/2"	12.7	345	7	30.2	23.9	26
BG-10-10	5/8"	16.0	345				
BG-12-08	3/4"	12.7	345	7	38.1	31.7	28
BG-12-12	3/4"	19.0	345	6.73	38.1	32	30
BG-16-12	1"	19.0	345	8	44.4	38	30
BG-16-16	1"	25.4	345	8	44.4	38	32
BG-20-16	1.1/4"	25.4	276	8	50.8	43	32
BG-20-20	1.1/4"	31.8	276	8.2	50.8	43.2	35
BG-24-16	1.1/2"	25.4	207	8.2	60.3	50.3	30.7
BG-24-20	1.1/2"	31.8	207	8.2	60.3	50.3	37
BG-24-24	1.1/2"	38.1	207	8.2	60.3	50.3	40
BG-32-20	2"	31.8	207	9.8	71.4	62.2	37
BG-32-24	2"	38.1	207	9.8	71.4	62.2	40
BG-32-32	2"	50.8	207	9.8	71.4	62.2	40

BH SERIES CODE 62 FLANGE x IMPERIAL TUBE



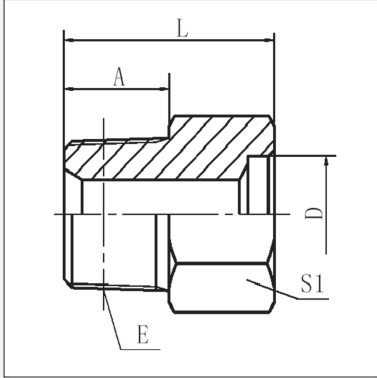
Product Code	Flange Size	Tube Recess	Max.Work. Pressure	Dimensions (mm)			
	ins.	øD mm	bar	A	D1	D2	L
BH-12-12	3/4"	19.0	414	8.9	41.3	31.7	33
BH-16-16	1"	25.4	414	9.6	47.6	38	37
BH-20-20	1.1/4"	31.8	414	10.4	54	43.6	42
BH-24-24	1.1/2"	38.1	414	12.7	63.5	50.8	45
BH-32-32	2"	50.8	414	12.7	79.4	66.5	45

TUBE WELD



BM SERIES

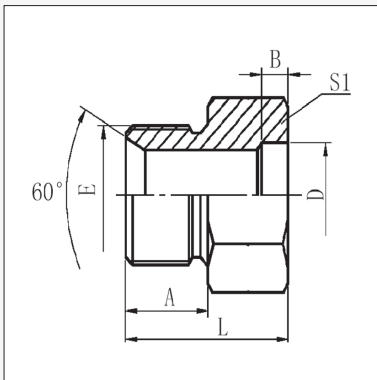
BSPT MALE x IMPERIAL TUBE



Product Code	BSPT Thread	Tube Recess	Dimensions (mm)			
	ins.	øD mm	A	L	S1	
BM-04-04	1/4" - 19	6.25	14.5	23.5	14	
BM-04-06	1/4" - 19	9.6	14.5	24.5	14	
BM-04-08	1/4" - 19	12.7	14.5	24.5	17	
BM-06-06	3/8" - 19	9.6	15	25	19	
BM-06-08	3/8" - 19	12.7	15	25	19	
BM-08-08	1/2" - 14	12.7	20	32	22	
BM-08-10	1/2" - 14	16.0	20	33	22	
BM-08-12	1/2" - 14	19.0	20	36	24	
BM-12-12	3/4" - 14	19.0	20	36	30	
BM-12-16	3/4" - 14	25.4	20	37	32	
BM-16-16	1" - 11	25.4	25.5	42.5	36	
BM-16-20	1" - 11	31.8	25.5	44.2	38	
BM-20-20	1.1/4" - 11	31.8	26.5	45.5	46	
BM-20-24	1.1/4" - 11	38.1	26.5	47.5	46	
BM-24-24	1.1/2" - 11	38.1	26.5	47.5	50	

BP SERIES

BSPF MALE x IMPERIAL TUBE



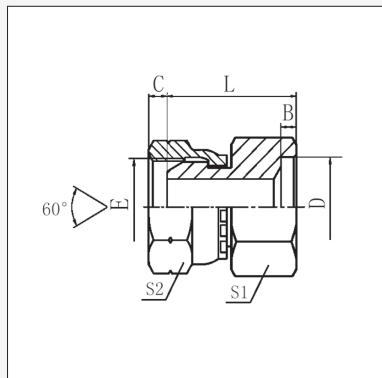
Product Code	BSPF Thread	Tube Recess	Dimensions (mm)			
	ins.	øD mm	A	B	L	S1
BP-04-06	1/4" - 19	9.6	12	4	22	19
BP-04-08	1/4" - 19	12.7	12	4	22	19
BP-06-08	3/8" - 19	12.7	13.5	4	23.5	22
BP-08-08	1/2" - 14	12.7	16	4	30	27
BP-08-12	1/2" - 14	19.0	16	5	32	27
BP-12-12	3/4" - 14	19.0	18.5	5	34.5	32
BP-12-16	3/4" - 14	25.4	18.5	6	35.5	32
BP-16-16	1" - 11	25.4	20.5	6	39.5	41
BP-16-20	1" - 11	31.8	20.5	6	39.5	41
BP-20-20	1.1/4" - 11	31.8	20.5	6	39.5	50
BP-20-24	1.1/4" - 11	38.1	20.5	6	41.5	50
BP-24-24	1.1/2" - 11	38.1	23	6	44	55

TUBE WELD



BJ SERIES

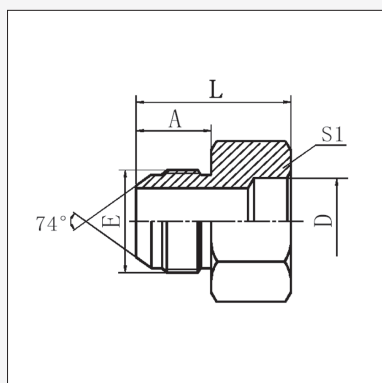
BSPP FEMALE x IMPERIAL TUBE



Product Code	Flange Size	Tube Recess	Dimensions (mm)				
	ins.	øD mm	B	C	L	S1	S2
BJ-04-04	1/4" - 19	6.25	3	5.5	20	12	19
BJ-06-06	3/8" - 19	9.6	4	6.3	22	17	22
BJ-08-08	1/2" - 14	12.7	4	7.5	24	19	27
BJ-12-12	3/4" - 14	19.0	5	10.9	31	27	32
BJ-16-16	1" - 11	25.4	6	11.7	33	32	41
BJ-20-20	1.1/4" - 11	31.8	6	11	37.5	41	50
BJ-24-24	1.1/2" - 11	38.1	6	13	40	50	55

BC SERIES

JIC MALE x IMPERIAL / METRIC TUBE

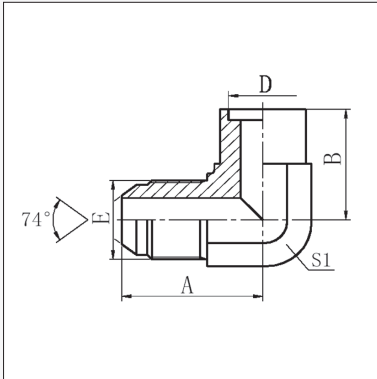


Product Code	JIC Thread Size	Tube Recess	Dimensions (mm)			
	ins.	øD mm	A	L	S1	
TO SUIT IMPERIAL TUBE						
BC-07-04	7/16" - 20	6.25	14	23	14	
BC-09-06	9/16" - 18	9.6	14.1	24	17	
BC-12-08	3/4" - 16	12.7	16.7	29.5	22	
BC-14-10	7/8" - 14	16.0	19.3	32	24	
BC-17-12	1.1/16" - 12	19.0	22	38	30	
BC-21-16	1.5/16" - 12	25.4	23	40	36	
BC-21-20	1.5/16" - 12	31.8	23.1	40	38	
BC-26-20	1.5/8" - 12	31.8	24.3	43	46	
BC-30-24	1.7/8" - 12	38.1	27.5	48.5	50	
TO SUIT METRIC TUBE						
BC-09-M08	9/16" - 18	8.05	14.1	24	17	
BC-09-M10	9/16" - 18	10.06	14.1	24	17	

TUBE WELD

**BD** SERIES

JIC MALE x IMPERIAL TUBE 90° ELBOW

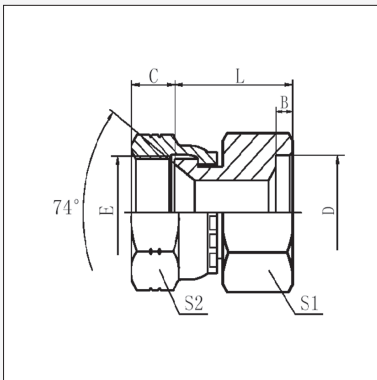


Product Code	JIC Thread	Tube Recess	Dimensions (mm)		
	ins.	øD mm	A	B	S1
BD-09-06	9/16" - 18	9.6	27	9	15.9
BD-12-08	3/4" - 16	12.7	32	10	20.6
BD-14-10 †	7/8" - 14	16.0	37	12	23.8
BD-17-12	1.1/16" - 12	19.1	43	14	28.6
BD-21-16 †	1.5/16" - 12	25.4	46	16	34.9

† Non-stocked, available on request

BF SERIES

JIC FEMALE x IMPERIAL TUBE

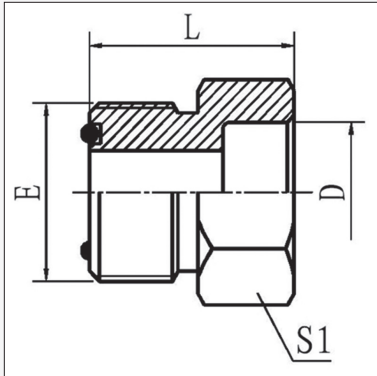


Product Code	JIC Thread	Tube Recess	Dimensions (mm)				
	ins.	øD mm	B	C	L	S1	S2
BF-07-04	7/16" - 20	6.25	3	9	17	12	15
BF-09-06	9/16" - 18	9.6	4	10.5	18.5	14	19
BF-12-08	3/4" - 16	12.7	4	11	20.5	19	24
BF-14-10	7/8" - 14	16.0	5	13	22	22	27
BF-17-12	1.1/16" - 12	19.0	5	15	28.5	27	32
BF-21-16	1.5/16" - 12	25.4	6	16	29.5	32	41
BF-26-20	1.5/8" - 12	31.8	6	17	33	41	50
BF-30-24	1.7/8" - 12	38.1	6	20	35.5	50	55

TUBE WELD



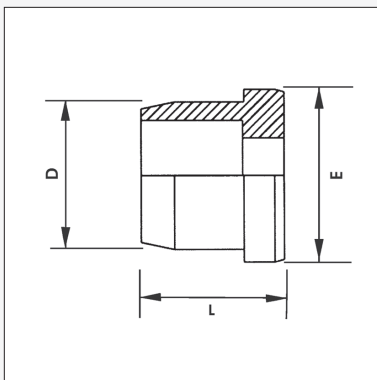
FF3020 SERIES ORFS MALE x SOCKET WELD



Product Code	Tube Size	Tube Recess	ORFS Thread	ORFS Size	Dimensions (mm)			
	ins.	øD ins	ins	Dash	D	E	L	S1
FF3020-0404 †	04	1/4"	9/16" - 18	04	6.25	14.22	22	15.9
FF3020-0606	06	3/8"	11/16" - 16	06	9.6	17.52	23	19
FF3020-0808	08	1/2"	13/16" - 16	08	12.7	20.82	25	22
FF3020-1010	10	5/8"	1" - 14	10	16.0	25.4	27	27
FF3020-1212	12	3/4"	1.3/16" - 12	12	19.0	30.22	34	31.8
FF3020-1616	16	1"	1.7/16" - 12	16	25.4	36.57	39	38.1
FF3020-2020 †	20	1.1/4"	1.11/16" - 12	20	31.8	42.92	39	44.5
FF3020-2424 †	24	1.1/2"	2" - 12	24	38.1	50.8	39	54

† Non-stocked, available on request

FF3031 SERIES ORFS SHOULDER x IMPERIAL TUBE INTERNAL BRAZE



NOTE: Use in conjunction with ORFS Tube Nut FF1311 (see Page D 66)

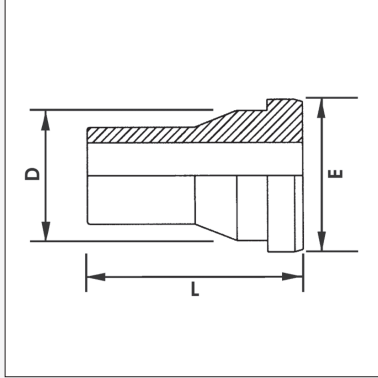
Product Code	Tube Size	Tube Recess	ORFS Thread	ORFS Size	Dimensions (mm)			
	ins.	øD ins	ins	Dash	E	L		
FF3031-0404	04	6.25	9/16" - 18	04	12.5			
FF3031-0604	06	9.6	9/16" - 18	04	12.5			
FF3031-0606	06	9.6	11/16" - 16	06	15.5			
FF3031-0806	08	12.7	11/16" - 16	06	15.5			
FF3031-0808	08	12.7	13/16" - 16	08	18.6			
FF3031-1008	10	16.0	13/16" - 16	08	18.6			
FF3031-1010	10	16.0	1" - 14	10	23.1			
FF3031-1208	12	19.0	13/16" - 16	08	18.6			
FF3031-1210	12	19.0	1" - 14	10	23.1			
FF3031-1212	12	19.0	1.3/16" - 12	12	27.6			
FF3031-1612	16	25.4	1.3/16" - 12	12	27.6			
FF3031-1614	16	25.4		14				
FF3031-1616	16	25.4	1.7/16" - 12	16	33.9			
FF3031-2016	20	31.8	1.7/16" - 12	16	33.9			
FF3031-2020	20	31.8	1.11/16" - 12	20	40.3			
FF3031-2420	24	38.1	1.11/16" - 12	20	40.3			
FF3031-2424	24	38.1	2" - 12	24	48.2			

TUBE WELD



FF3032 SERIES

ORFS SHOULDER x IMPERIAL TUBE EXTERNAL BRAZE

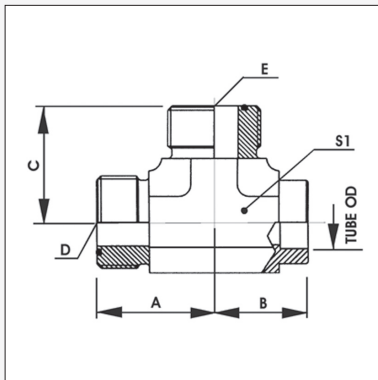


NOTE: Use in conjunction with ORFS Tube Nut FF1311 (see Page D 66)

Product Code	Tube Size	Tube Recess	ORFS	ORFS Size	Dimensions (mm)			
	ins.	øD ins	Thread	Dash	E	L	ins	
FF3032-0404	04	6.25	9/16" - 18	04				
FF3032-0606	06	9.6	11/16" - 16	06				
FF3032-0808	08	12.7	13/16" - 16	08				
FF3032-1010	10	16.0	1" - 14	10				
FF3032-1212	12	19.0	1.3/16" - 12	12				
FF3032-1616	16	25.4	1.7/16" - 12	16				
FF3032-2020	20	31.8	1.11/16" - 12	20				
FF3032-2424	24	38.1	2" - 12	24				

FF3021 SERIES

ORFS x ORFS x BRAZE PORT TEE



Product Code	Tube Size	Tube Recess	ORFS Thread	ORFS Size	Dimensions (mm)			
	Dash	øD ins	D & E	Dash	A	B	C	S1
FF3021-0404	04	6.25	9/16" - 18	04				
FF3021-0604	06	9.6	9/16" - 18	04				
FF3021-0606	06	9.6	11/16" - 16	06				
FF3021-0806	08	12.7	11/16" - 16	06				
FF3021-0808	08	12.7	13/16" - 16	08				
FF3021-1008	10	16.0	13/16" - 16	08				
FF3021-1010	10	16.0	1" - 14	10				
FF3021-1208	12	19.0	13/16" - 16	08				
FF3021-1210	12	19.0	1" - 14	10				
FF3021-1212	12	19.0	1.3/16" - 12	12				
FF3021-1612	16	25.4	1.3/16" - 12	12				
FF3021-1614	16	25.4		14				
FF3021-1616	16	25.4	1.7/16" - 12	16				
FF3021-2016	20	31.8	1.7/16" - 12	16				
FF3021-2020	20	31.8	1.11/16" - 12	20				
FF3021-2420	24	38.1	1.11/16" - 12	20				
FF3021-2424	24	38.1	2" - 12	24				



THIS PAGE IS INTENTIONALLY LEFT BLANK



SECTION 6 TUBE FITTINGS

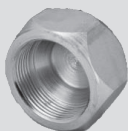
PAGE

BB / BBI	JIC x JIC REDUCER	F / M	D 63
BBJM	BSP BANJO X JIC MALE	M	D 63
BAN	JIC FLARED NUT	F	D 63
BAS	FLARED IMP. TUBE SLEEVE	-	D 64
CAL	JIC SWEPT ELBOW (EXTENDED)	M / F	D 64
CAS	JIC SWEPT ELBOW (COMPACT)	M / F	D 64
FF1311	ORFS TUBE NUT	F	D 65
FF3018	ORFS x ORFS REDUCING INSERT	M / F _{SW}	D 65



SECTION 7 PLUGS

AP	BSPP	M	D 66
AS	BSPT	M	D 66
AT / ATH	NPTF (ATH WITH HOLLOW HEX)	M	D 66 / 67
ASH	BSPT HEX SOCKET PLUG	-	D 66
AU / UCAP	JIC	M	D 67
AV / AVH	UN'O' (AVH WITH HOLLOW HEX)	M	D 67 / 68
FF1254	ORFS	M	D 68
JU	JIS BSPP PLUG	-	D68
KU	JIS METRIC (KOMATSU®)	M	D 68



SECTION 8 CAPS

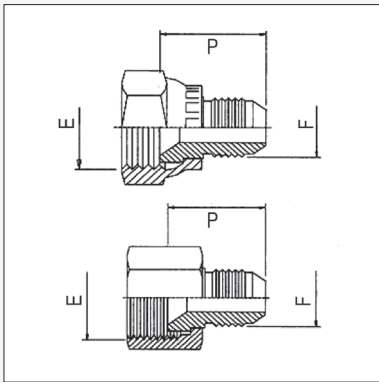
AW / AWI	JIC	F _{SW}	D 69
AX	BSPP	F _{SW}	D 69
FF1319	ORFS CAP	F _{SW}	D 69
KW/JW/UCAP	JIS METRIC / JIS BSPP / RUBBER PLUGS	F _{SW}	D 70

TUBE FITTINGS



BB SERIES

JIC FEMALE x JIC FIXED MALE TUBE REDUCER & *EXPANDERS

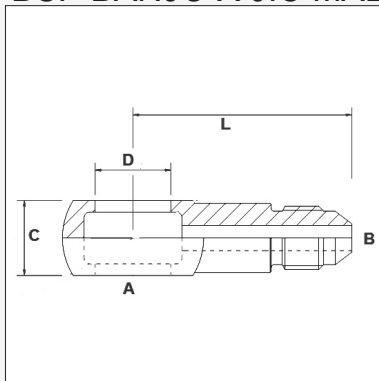


Product Code	JIC Size E		JIC Size F		Dimensions mm	
	Thread	Dash	Thread	Dash	P	Hex
BB-06-07 *	3/8" - 24	06	7/16" - 20	07	18	
BB-07-09	7/16" - 20	07	9/16" - 18	09	23.5	
BB-09-07	9/16" - 18	09	7/16" - 20	07	24.5	
BB-12-07	3/4" - 16	12	7/16" - 20	07	25.5	
BB-12-09	3/4" - 16	12	9/16" - 18	09	25.5	
BB-12-14 *	3/4" - 16	12	7/8" - 14	14	29.5	
BB-14-07	7/8" - 14	14	7/16" - 20	07	26	
BB-14-09	7/8" - 14	14	9/16" - 18	09	26	
BB-14-12	7/8" - 14	14	3/4" - 16	12	29	
BB-17-07	1.1/16" - 12	17	7/16" - 20	07	27.5	
BB-17-09	1.1/16" - 12	17	9/16" - 18	09	27.5	
BB-17-12	1.1/16" - 12	17	3/4" - 16	12	30.5	
BB-17-14	1.1/16" - 12	17	7/8" - 14	14	31	
BB-21-12	1.5/16" - 12	21	3/4" - 16	12	30	
BB-21-14	1.5/16" - 12	21	7/8" - 14	14	30.5	
BB-21-17	1.5/16" - 12	21	1.1/16" - 12	17	37.5	
BB-26-21	1.5/8" - 12	26	1.5/16" - 12	21	40	
BB-30-26	1.7/8" - 12	30	1.5/8" - 12	26	43	
IMPERIAL HEX (BBI)						
BBI-12-07	3/4" - 16	12	7/16" - 20	07	25.5	1"

* Tube Expander

BBJM SERIES

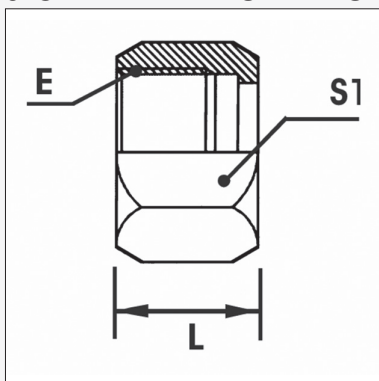
BSP BANJO X JIC MALE



Product Code	A	B	Dimensions (mm)		
	BSPP	JIC	C	D	L
BBJM-04-07	1/4"	7/16" - 20	13	13.1	38
BBJM-04-09	1/4"	9/16" - 18	13	13.1	38.1
BBJM-06-09	3/8"	9/16" - 18	20	16.7	39

BAN SERIES

JIC FLARED TUBE NUT



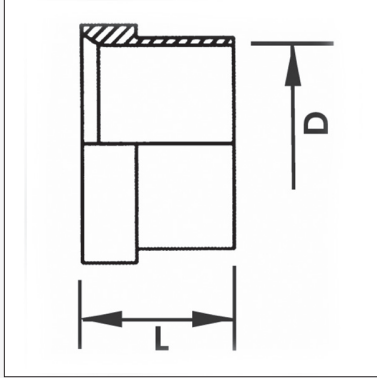
Product Code	Use with Sleeve	JIC Size E		Dimensions (mm)	
		Thread	Dash	L	S1
BAN-07	BAS-04	7/16" - 20	07	15.5	14
BAN-08	BAS-05	1/2" - 20	08	17	16
BAN-09	BAS-06	9/16" - 18	09	18.5	17
BAN-12	BAS-08	3/4" - 16	12	21.5	22
BAN-14	BAS-10	7/8" - 14	14	24.5	27
BAN-17	BAS-12	1.1/16" - 12	17	26	32
BAN-21	BAS-16	1.5/16" - 12	21	28.5	38
BAN-26	BAS-20	1.5/8" - 12	26	31	50
BAN-30	BAS-24	1.7/8" - 12	30	36	57

TUBE FITTINGS



BAS SERIES

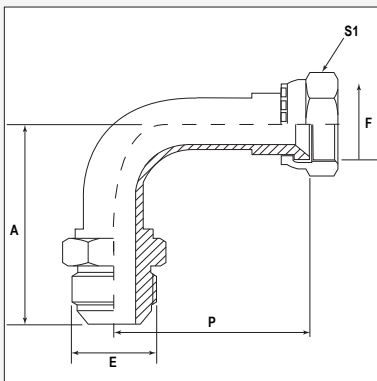
FLARED SLEEVE FOR IMPERIAL TUBE



Product Code	Use with Nut	Tube \varnothing D		Dimensions (mm)	
		Tube	Dash	L	D
BAS-04	BAN-07	6.25	04	10.5	6.27
BAS-05	BAN-08	8.00	05	11.5	8
BAS-06	BAN-09	9.6	06	12.5	9.55
BAS-08	BAN-12	12.7	08	14.5	12.75
BAS-10	BAN-14	16.0	10	16.5	15.9
BAS-12	BAN-17	19.0	12	17	19.1
BAS-16	BAN-21	25.4	16	19.5	25.55
BAS-20	BAN-26	31.8	20	23	31.8
BAS-24	BAN-30	38.1	24	28.5	38.15

CAL SERIES

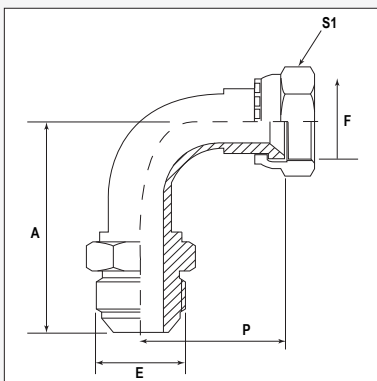
JIC MALE x JIC FEMALE SWEPT ELBOWS (EXTENDED)



Product Code	Thread		Dimensions mm		
	E (JIC)	F (JIC)	A	S1	P
CAL-07-07	7/16" - 20	7/16" - 20	39	14.3	45
CAL-09-09	9/16" - 18	9/16" - 18	42	17.5	55
CAL-12-12	3/4" - 16	3/4" - 16	54	22.2	62
CAL-14-14	7/8" - 14	7/8" - 14	63	25.4	65
CAL-17-17	1.1/16" - 12	1.1/16" - 12	73	32	91
CAL-21-21	1.5/16" - 12	1.5/16" - 12	86	38	105
CAL-26-26	1.5/8" - 12	1.5/8" - 12	101	50	127

CAS SERIES

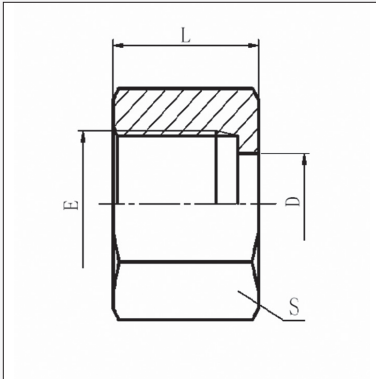
JIC MALE x JIC FEMALE SWEPT ELBOWS (COMPACT)



Product Code	Thread		Dimensions mm		
	E (JIC)	F (JIC)	A	S1	P
CAS-07-07	7/16" - 20	7/16" - 20	39	14.3	29
CAS-09-09	9/16" - 18	9/16" - 18	42	17.5	39
CAS-12-12	3/4" - 16	3/4" - 16	54	22.2	44
CAS-14-14	7/8" - 14	7/8" - 14	63	25.4	50
CAS-17-17	1.1/16" - 12	1.1/16" - 12	73	32	58
CAS-21-21	1.5/16" - 12	1.5/16" - 12	86	38	73
CAS-26-26	1.5/8" - 12	1.5/8" - 12	101	50	85



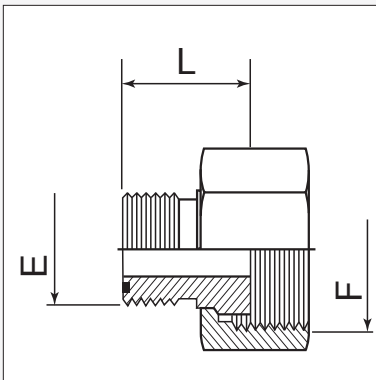
FF1311 SERIES ORFS TUBE NUT



NOTE: Use in conjunction with ORFS Tube Weld insert FF3031, (see Page D 60)

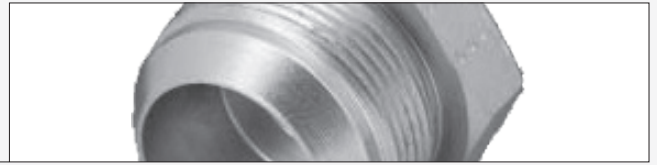
Product Code	ORFS Size E		Dimensions (mm)			
	Thread	Dash	øD	L	S	
FF1311-04	9/16" - 18	04	10.5	14.7	19	
FF1311-06	11/16" - 16	06	13.5	17	22	
FF1311-08	13/16" - 16	08	16.5	21	27	
FF1311-10	1" - 14	10	21	23.5	30	
FF1311-12	1.3/16" - 12	12	24.1	26	36	
FF1311-16	1.7/16" - 12	16	29	27.8	41	
FF1311-20	1.11/16" - 12	20	36	27.8	50	
FF1311-24	2" - 12	24	44	27.8	60	

FF3018 SERIES ORFS MALE x ORFS FEMALE REDUCING INSERT

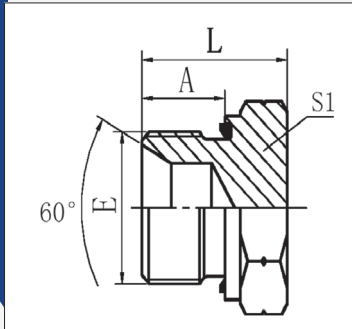


Product Code	ORFS Size E		ORFS Size F		Dimensions (mm)			
	Thread	Dash	Thread	Dash	L			
FF3018-0410	9/16" - 18	04	1" - 14	10	23			
FF3018-0412	9/16" - 18	04	1.3/16" - 12	12	26			
FF3018-0810	13/16" - 16	08	1" - 14	10	26			
FF3018-0812	13/16" - 16	08	1.3/16" - 12	12	28			
FF3018-0816	13/16" - 16	08	1.7/16" - 12	16	29.5			

PLUGS

**AP** SERIES

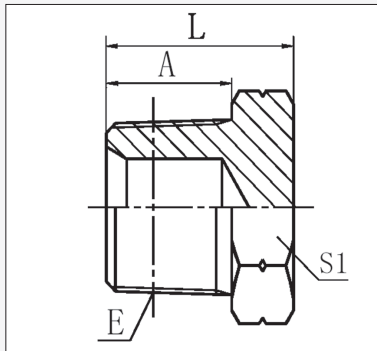
BSPP MALE PLUG WITH CAPTIVE SEAL



Product Code	BSPP Thread E		Dimensions (mm)		
	Thread	Dash	A	L	S1
AP-02	1/8" - 28	02	8	15.5	14
AP-04	1/4" - 19	04	12	20	19
AP-06	3/8" - 19	06	12	22	22
AP-08	1/2" - 14	08	14	26	27
AP-12	3/4" - 14	12	16	29	32
AP-16	1" - 11	16	18	35	41
AP-20	1.1/4" - 11	20	20	37	50
AP-24	1.1/2" - 11	24	22	39	55
AP-32	2" - 11	32	20	40	75

AS SERIES

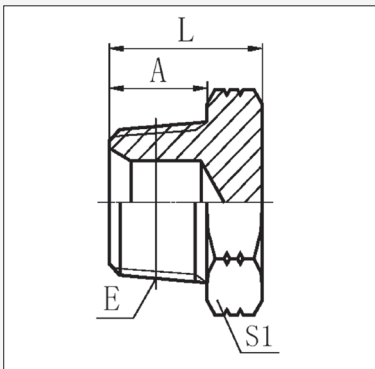
BSPT MALE PLUG



Product Code	BSPT Thread E		Dimensions (mm)		
	Thread	Dash	A	L	S1
AS-02	1/8" - 28	02	10	16	12
AS-04	1/4" - 19	04	14.5	20	17
AS-06	3/8" - 19	06	15	21	19
AS-08	1/2" - 14	08	20	27	22
AS-12	3/4" - 14	12	20	29	30
AS-16	1" - 11	16	25	36.5	36
AS-20	1.1/4" - 11	20	26.5	38.5	46
AS-24	1.1/2" - 11	24	26.5	42	50
AS-32	2" - 11	32	30	46	65

AT SERIES

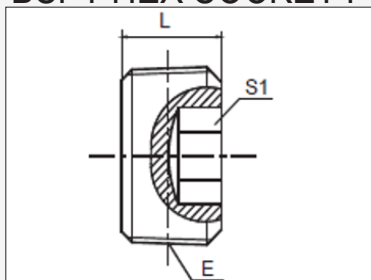
NPTF MALE PLUG



Product Code	NPT Thread E		Dimensions (mm)		
	Thread	Dash	A	L	S1
AT-02	1/8" - 27	02	10.5	16	12
AT-04	1/4" - 18	04	15	20	17
AT-06	3/8" - 18	06	16	21	19
AT-08	1/2" - 14	08	19.5	27	22
AT-12	3/4" - 14	12	19.5	29.5	30
AT-16	1" - 11.5	16	25.5	36.5	36
AT-20	1.1/4" - 11.5	20	26.5	38.5	46
AT-24	1.1/2" - 11.5	24	27.5	43	50
AT-32	2" - 11.5	32	27.5	43.5	65

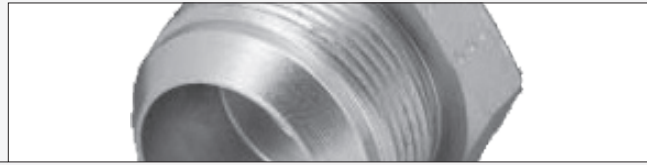
ASH SERIES

BSPT HEX SOCKET PLUG

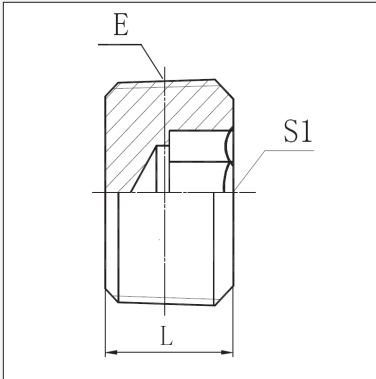


Product Code	Thread	Dimensionsmm	
	E (BSPT)	L	S1
ASH-02	1/8"-28	8	5
ASH-04	1/4"-19	9	6
ASH-06	3/8"-19	10	8
ASH-08	1/2"-14	12	10
ASH-12	3/4"-14	12	12
ASH-16	1"-11	17	17

PLUGS

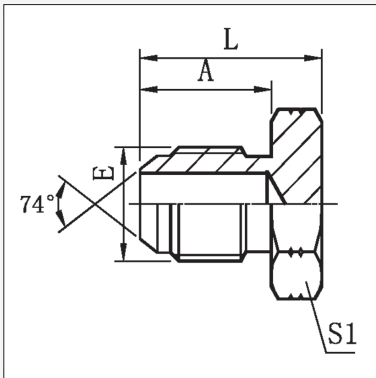


ATH SERIES NPTF MALE PLUG HOLLOW HEX



Product Code	NPT Thread E		Dimensions (mm)		
	Thread	Dash	L	S1	
ATH-02	1/8" - 27	02	8	5	
ATH-04	1/4" - 18	04	10	6	
ATH-06	3/8" - 18	06	12	8	
ATH-08	1/2" - 14	08	15	10	
ATH-12	3/4" - 14	12	16	12	
ATH-16	1" - 11.5	16	18	17	
ATH-20	1.1/4" - 11.5	20			

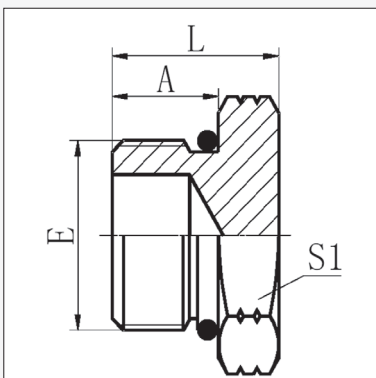
AU SERIES (SEE ALSO UC-P PAGE 71) JIC MALE PLUG



Product Code	JIC Size E		Dimensions (mm)		
	Thread	Dash	A	L	S1
AU-07	7/16" - 20	07	14	20	12
AU-08	1/2" - 20	08	14	20	14
AU-09	9/16" - 18	09	14.1	20	17
AU-10 ^a	5/8" - 18	10			
AU-12	3/4" - 16	12	16.7	25	22
AU-14	7/8" - 14	14	19.3	27.5	24
AU-17	1.1/16" - 12	17	21.9	32	30
AU-19	1.3/16" - 12	19	22.6	33.5	32
AU-21	1.5/16" - 12	21	23.1	34	36
AU-26	1.5/8" - 12	26	24.3	38	46
AU-30	1.7/8" - 12	30	27.5	44.5	50

^a SAE Thread Form

AV SERIES UN'O' MALE PLUG



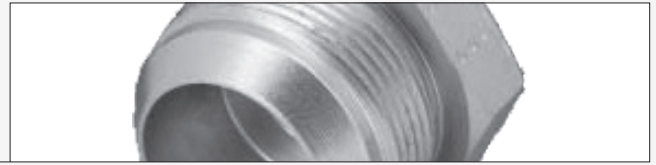
Product Code	UN'O' Size E		Dimensions (mm)		
	Thread	Dash	A	L	S1
AV-07	7/16" - 20	07	9.1	16	14
AV-08	1/2" - 20	08	9.1	16	17
AV-09	9/16" - 18	09	9.9	17.5	17
AV-10 ^a	5/8" - 18	10			
AV-12	3/4" - 16	12	11.1	19.5	22
AV-14	7/8" - 14	14	12.7	23	27
AV-17	1.1/16" - 12	17	15.1	26.5	32
AV-19	1.3/16" - 12	19	15.1	27	36
AV-21	1.5/16" - 12	21	15.1	27.5	38
AV-26	1.5/8" - 12	26	15.1	30	50
AV-30	1.7/8" - 12	30	15.1	30	55

^a SAE Thread Form



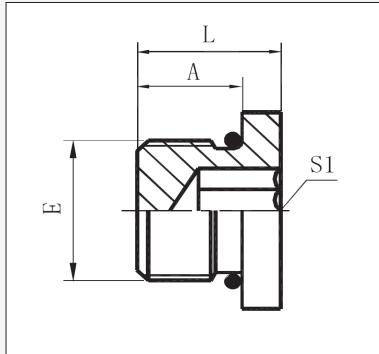
This page is part of a complete catalogue containing technical and safety data.
All data must be reviewed when selecting a product.
Pirtek reserve the right to change technical specifications without notice

PLUGS



AVH SERIES

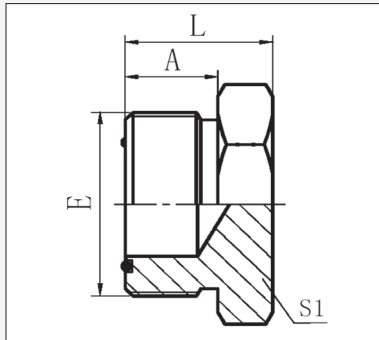
UN'O' MALE PLUG HOLLOW HEX



Product Code	UN'O' Size E		Dimensions (mm)		
	Thread	Dash	A	L	S1
AVH-05	5/16" - 24	05	7.5	10	3
AVH-07	7/16" - 20	07	9.1	11.5	5
AVH-08	1/2" - 20	08	9.5	12	5
AVH-09	9/16" - 18	09	9.9	12.2	6
AVH-12	3/4" - 16	12	11.1	14.3	8
AVH-14	7/8" - 14	14	13	17	9.5
AVH-17	1.1/16" - 12	17	15.1	19	14
AVH-21	1.5/16" - 12	21	15.1	19	16
AVH-26	1.5/8" - 12	26	15.1	19	19

FF1254 SERIES

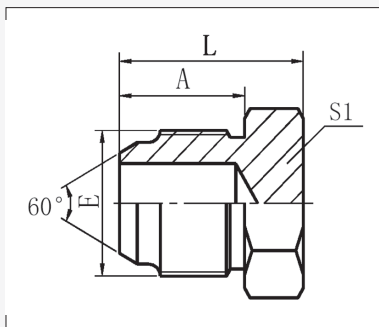
ORFS MALE PLUG



Product Code	ORFS Size E		Dimensions (mm)		
	Thread	Dash	A	L	S1
FF1254-04	9/16" - 18	04	9.8	16.8	17
FF1254-06	11/16" - 16	06	11.2	19.2	19
FF1254-08	13/16" - 16	08	12.8	21.8	22
FF1254-10	1" - 14	10	15.5	25.9	27
FF1254-12	1.316" - 12	12	17	27.4	32
FF1254-16	1.7/16" - 12	16	17.5	27.9	38
FF1254-20	1.11/16" - 12	20	17.5	27.9	46
FF1254-24	2" - 12	24	17.5	27.9	55

JU SERIES

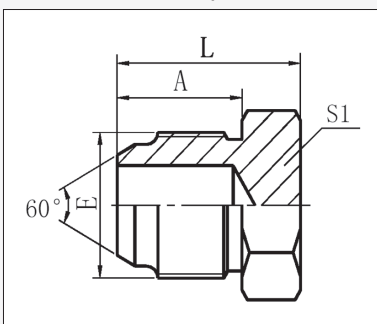
JIS BSPP PLUG



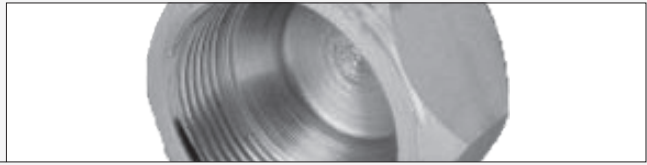
Product Code	BSPP Male 60° Cone Thread E		Dimensions (mm)		
	Thread	Dash	A	L	S1
JU-04	1/4" - 19	04	16	24	17
JU-06	3/8" - 19	06	18	24	19
JU-08	1/2" - 14	08	20	28	22
JU-12	3/4" - 14	12	22	33.5	30
JU-16	1" - 11	16	24	35	36

KU SERIES

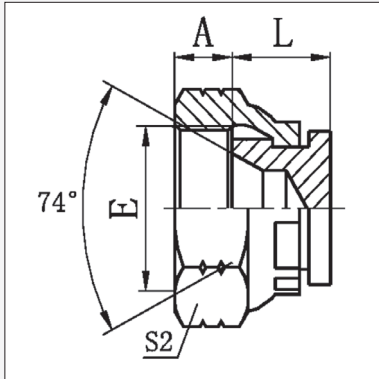
JIS METRIC (KOMATSU®) PLUG



Product Code	JIS Met. Thread E		Dimensions (mm)		
	Thread	Dash	A	L	S1
KU-14	M14 x 1.5	14	17	23	19
KU-16	M16 x 1.5	16	18	24	19
KU-18	M18 x 1.5	18	18	26	22
KU-20	M20 x 1.5	20	20	28	24
KU-22	M22 x 1.5	22	20	30	27
KU-24	M24 x 1.5	24	21.5	32.5	32
KU-30	M30 x 1.5	30	26	37	36
KU-33	M33 x 1.5	33	30	41	41



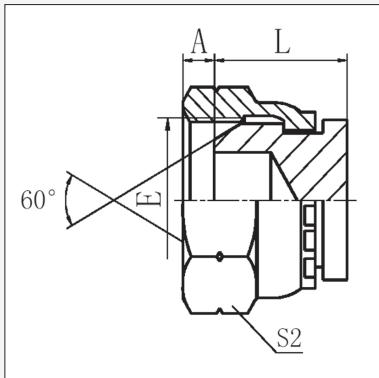
AW / AWI SERIES JIC FEMALE CAP



Product Code	JIC Size E		Dimensions (mm)		
	Thread	Dash	A	L	S2
AW-07	7/16" - 20	07	9	10.5	15
AW-08	1/2" - 20	08	9.5	11	17
AW-09	9/16" - 18	09	10.5	11	19
AU-10 ^a	5/8" - 18	10			
AW-12	3/4" - 16	12	11	13	24
AW-14	7/8" - 14	14	13	14	27
AW-17	1.1/16" - 12	17	15	15.5	32
AW-19	1.3/16" - 12	19	15	16	36
AW-21	1.5/16" - 12	21	16	17	41
AW-26	1.5/8" - 12	26	17	19	50
AW-30	1.7/8" - 12	30	20	21	55
IMPERIAL HEX (AWI)					
AWI-07	7/16" - 20	07	9	10.5	5/8"

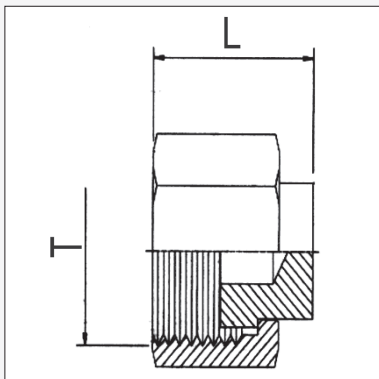
^a SAE Thread Form

AX SERIES BSPF FEMALE CAP



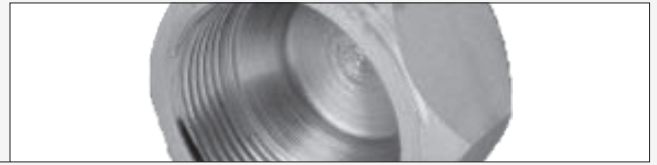
Product Code	BSPF Size E		Dimensions (mm)		
	Thread	Dash	A	L	S2
AX-02	1/8" - 28	02	5.5	12	14
AX-04	1/4" - 19	04	5.5	14	19
AX-06	3/8" - 19	06	6.3	15.5	22
AX-08	1/2" - 14	08	7.5	17.5	27
AX-12	3/4" - 14	12	10.9	18.5	32
AX-16	1" - 11	16	11.7	20	41
AX-20	1.1/4" - 11	20	11	23	50
AX-24	1.1/2" - 11	24	13	25	55
AX-32	2" - 11	32	16	26	70

FF1319 SERIES ORFS CAP

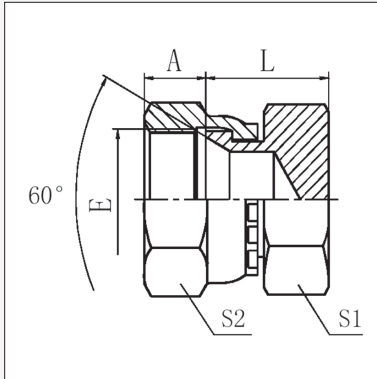


Product Code	ORFS Thread		SuitsTubeSize		Dimensions (mm)	
	Thread T	Dash	mm	ins	L	
FF1319-04	9/16" - 18	04	6	1/4"	16	
FF1319-06	11/16" - 16	06	8-10	5/16"-3/8"	18	
FF1319-08	13/16" - 16	08	12	1/2"	22	
FF1319-10	1" - 14	10	14-16	5/8"	25.5	
FF1319-12	1.3/16" - 12	12	18-20	3/4"	27	
FF1319-16	1.7/16" - 12	16	22-25	7/8"-1"	29	
FF1319-20	1.11/16" - 12	20	28-32	1.1/4"	29	
FF1319-24	2" - 12	24	35-38	1.1/2"	29	

CAPS

**KW** SERIES

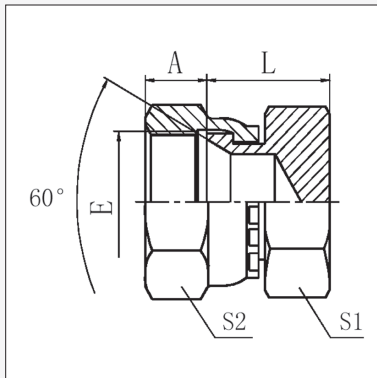
JIS METRIC (KOMATSU®) CAP



Product Code	JIS Met. Thread E		Dimensions (mm)			
	Thread	Dash	A	L	S1	S2
KW-14	M14 x 1.5	14	10.5	15	19	19
KW-16	M16 x 1.5	16	9.3	17.5	22	22
KW-18	M18 x 1.5	18	11.5	18.5	24	24
KW-20	M20 x 1.5	20				
KW-22	M22 x 1.5	22	14	21	27	27
KW-24	M24 x 1.5	24	15.1	22.5	32	32
KW-30	M30 x 1.5	30	18.3	25	36	36
KW-33	M33 x 1.5	33	21.3	25.5	41	41

JW SERIES

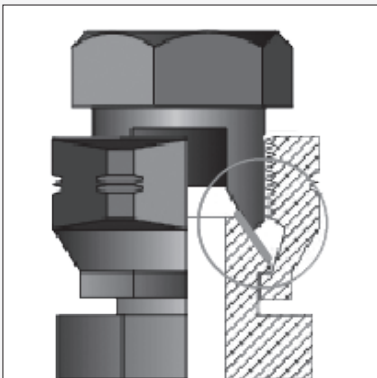
JIS BSPP CAP



Product Code	BSPP Female 60° Cone Thread E		Dimensions (mm)			
	Thread	Dash	A	L	S1	S2
JW-04	1/4" - 19	04	8	15	17	19
JW-06	3/8" - 19	06	9	16	19	22
JW-08	1/2" - 14	08	12.5	19	22	27
JW-12	3/4" - 14	12	13.5	23.5	32	32
JW-16	1" - 11	16	15.5	25	36	41

UC-P SERIES

NBR RUBBER CAP / PLUG



UCAP Product Code	5mm-35mm Size Range		
UC-05P	UC-13P	UC-21P	UC-29P*
UC-06P	UC-14P	UC-22P	UC-30P*
UC-07P	UC-15P	UC-23P	UC-31P*
UC-08P	UC-16P	UC-24P	UC-32P*
UC-09P	UC-17P	UC-25P	UC-33P*
UC-10P	UC-18P	UC-26P*	UC-34P*
UC-11P	UC-19P	UC-27P*	UC-35P*
UC-12P	UC-20P	UC-28P*	* 2 per pack

Pack Contents 5 unless indicated otherwise



SECTION 9 ADAPTOR UNIONS

AAB / AABI	BSPT x JIC	M / F _{SW}	D 72
AABN	NPTF x JIC	M / F _{SW}	D 72
AABP	BSPP x JIC	M / F _{SW}	D 72
AAM	BSPT x BSPP	M / F _{SW}	D 73
AAMG / AAMGT	BSP GAUGE ADAPTORS	M / F _{SW}	D 73
AAMGN	NPT MALE x BSPP FEMALE GAUGE ADAPTOR	M / F	D 74
AAMGJ	JIC MALE x BSPP FEMALE GAUGE ADAPTOR	M / F	D 74
AAMN	NPTF x NPSM	M / F _{SW}	D 74
AAMP	BSPP x BSPP	M / F _{SW}	D 74
AAP	UN'O' x BSPP	M / F _{SW}	D 75
AAU	UN'O' x JIC	M / F _{SW}	D 75
FF1205	BSPP MALE (ED) X ORFS FEMALE	M / F	D 75
FF1209	JIC MALE X ORFS FEMALE	M / F	D 76
FF1214	ORFS MALE X JIC FEMALE	M / F	D 76
AABS	JIC FEMALE X JIC FEMALE	F / F	D 77
AAMF	BSPP FEMALE X BSPP FEMALE	F / F	D 77
AAPJ	JIC MALE X JIC FEMALE	M / F	D 77



SECTION 10 ADAPTORS FIXED

AA	BSPT x BSPT STUD ADAPTOR	M / F	D 78
AB	BSPT x JIC	F / M	D 78
ABH	BSPT FEMALE X JIC MALE BULKHEAD	F / M	D 78
ABN	NPTF x JIC	F / M	D 78
AAN	BSPT x NPTF	M / F	D 79
ANN	NPTF x NPTF	M / F	D 79
ANU	NPTF x UN'O'	F / M	D 79
AUU	UN'O' x UN'O'	F / M	D 79



SECTION 11 REDUCING BUSHES

AQ	BSPT x BSPT STUD ADAPTOR	M / F	D 80
AR	NPTF x NPTF	M / F	D 80
RI	BSPP x BSPP STUD (SOFT SEAL)	M / F	D 81



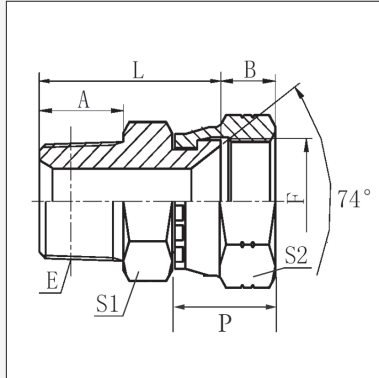
SECTION 12 SOCKETS

W	BSPT x BSPT	F / F	D 82
W_U	UNO FEMALE X UNO FEMALE	F / F	D 82
W (P)	BSPP x BSPP	F / F	D 82
V / VHD	NPTF x NPTF	F / F	D 83

ADAPTOR UNIONS

**AAB / AABI SERIES**

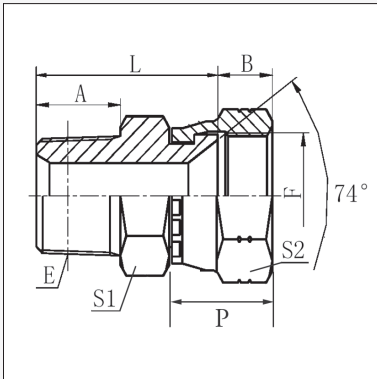
BSPT MALE x JIC FEMALE STRAIGHT UNION



Product Code	Thread		Dimensions mm					
	E (BSPT)	F (JIC)	A	B	L	S1	S2	P
AAB-02-07	1/8" - 28	7/16" - 20	10	9	24	12	17	18.5
AAB-04-09	1/4" - 19	9/16" - 18	14	10.5	28.5	14	19	21.5
AAB-06-09	3/8" - 19	9/16" - 18	15	10.5	29.5	17	19	21.5
AAB-06-12	3/8" - 19	3/4" - 16	15	10.5	31.5	19	24	23
AAB-08-12	1/2" - 14	3/4" - 16	19	10.5	37.5	24	24	23
AAB-08-14	1/2" - 14	7/8" - 14	19	12	38	24	27	26
AAB-08-17	1/2" - 14	1.1/16" - 12	20.3	15	41.5	30	32	27.5
AAB-12-17	3/4" - 14	1.1/16" - 12	19	15	41.5	30	32	27.5
AAB-16-17	1" - 11	1.1/16" - 12	24.5	15	47	36	32	27.5
AAB-16-21	1" - 11	1.5/16" - 12	24	16	47.5	36	41	30
AAB-20-26	1.1/4" - 11	1.5/8" - 12	25	17	52	46	50	33
IMPERIAL HEX SIZES (AABI)								
AABI-02-07	1/8" - 28	7/16" - 20	10	9	24	12	5/8"	18.5
AABI-06-09	3/8" - 19	9/16" - 18	15	10.5	29.5	17	3/4"	21.5
AABI-16-21	1" - 11	1.5/16" - 12	24	16	47.5	36	1.5/8"	30

AABN SERIES

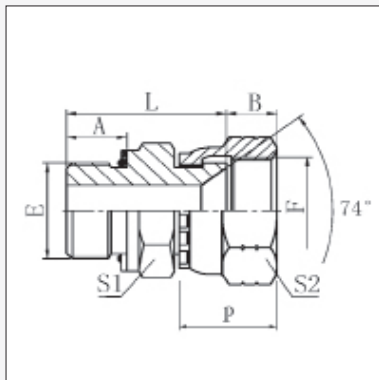
NPT MALE x JIC FEMALE STRAIGHT UNION



Product Code	Thread		Dimensions mm					
	E (NPT)	F (JIC)	A	B	L	S1	S2	P
AABN-02-07	1/8" - 27	7/16" - 20	10.5	9	24.5	12	17	18.5
AABN-04-07	1/4" - 18	7/16" - 20	19	9	29	17	17	17.1
AABN-04-09	1/4" - 18	9/16" - 18	15	10.5	29.5	17	19	21.5
AABN-06-12	3/8" - 18	3/4" - 16	16	10.5	32.5	19	24	23
AABN-06-14	3/8" - 18	7/8" - 14	16	13	35.5	22	27	23
AABN-08-12	1/2" - 14	3/4" - 16	19.5	10.5	37.5	22	24	23
AABN-08-14	1/2" - 14	7/8" - 14	19.5	13	38.5	22	27	23
AABN-12-17	3/4" - 14	1.1/16" - 12	19.5	15	42	30	32	27.5
AABN-16-21	1" - 11½	1.5/16" - 12	25.5	16	48	36	41	30
AABN-20-26	1.1/4" - 11½	1.5/8" - 12	26	15.3	41.5	43	51	32
AABN-24-30	1.1/2" - 11.5	1.7/8" - 12	27.5	23.5	57	50	60	36
AABN-32-40	2" - 11½	2.1/2" - 12						

AABP SERIES

BSPP MALE x JIC FEMALE STRAIGHT UNION



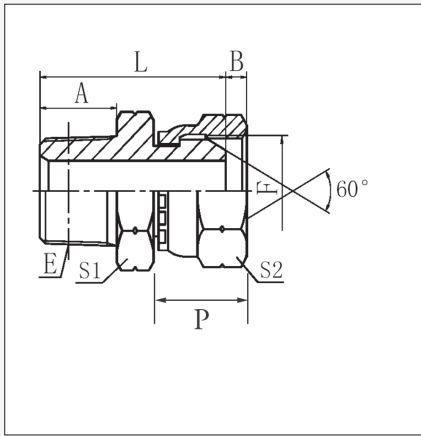
Product Code	Thread		Dimensions mm					
	E (BSPP)	F (JIC)	A	B	L	S1	S2	P
AABP-02-07	1/8" - 28	7/16" - 20	8	9	24	14	14.3	15
AABP-04-07	1/4" - 19	7/16" - 20	10	9	30	19	15	18.5
AABP-04-09	1/4" - 19	9/16" - 18	10	10.5	31.5	19	19	21.5
AABP-06-09	3/8" - 19	9/16" - 18	10	10.5	31.5	22	19	21.5
AABP-06-12	3/8" - 19	3/4" - 16	10	10.5	33	22	24	23
AABP-06-14	3/8" - 19	7/8" - 14	10	12	35	22	27	26
AABP-08-09	1/2" - 14	9/16" - 18	17	10	36.2	27	17.5	
AABP-08-12	1/2" - 14	3/4" - 16	12	10.5	36.5	27	24	23
AABP-08-14	1/2" - 14	7/8" - 14	12	12	38	27	27	26
AABP-08-17	1/2" - 14	1.1/16" - 12	17	15	38.5	32	32	
AABP-12-12	3/4" - 11	3/4" - 16	16	11	39.5	32	22.2	
AABP-12-14	3/4" - 11	7/8" - 14	39.6	13	16	32	25.4	24.3
AABP-12-17	3/4" - 14	1.1/16" - 12	14	15	40.5	32	32	27.5
AABP-12-21	3/4" - 14	1.5/16" - 12	16.1	15.1	46.2	37.5	37.7	30
AABP-16-17	1" - 11	1.1/16" - 12	21	15	44	41	32	
AABP-16-21	1" - 11	1.5/16" - 12	15.5	16	44.5	41	41	30
AABP-20-21	1.14" - 11	1.5/16" - 12	23	15.2	56.8	50	38	
AABP-20-26	1.1/4" - 11	1.5/8" - 12	23	15.9	46	50	50	
AABP-20-30	1.1/4" - 11	1.7/8" - 12	23	16	57.5	55	55	

ADAPTOR UNIONS



AAM SERIES

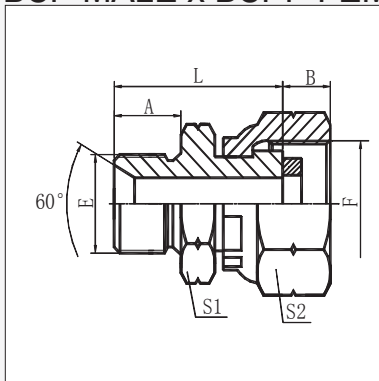
BSPT MALE x BSPP FEMALE STRAIGHT UNION



Product Code	Thread		Dimensions mm					
	E (BSPT)	F (BSPP)	A	B	L	S1	S2	P
AAM-02-02	1/8" - 28	1/8" - 28	10	5.5	25	12	14	16
AAM-02-04	1/8" - 28	1/4" - 19	10	5.5	27	12	19	17
AAM-04-02	1/4" - 19	1/8" - 28	14.5	5.5	29.5	17	14	16
AAM-04-04	1/4" - 19	1/4" - 19	14.5	5.5	31.5	17	19	17
AAM-04-06	1/4" - 19	3/8" - 19	15	6	33	19	22	19
AAM-06-04	3/8" - 19	1/4" - 19	15	5.5	32	19	19	17
AAM-06-06	3/8" - 19	3/8" - 19	15	6.3	33	19	22	19
AAM-06-08	3/8" - 19	1/2" - 14	15	7.5	35	19	27	22
AAM-08-06	1/2" - 14	3/8" - 19	20	6.3	40	22	22	19
AAM-08-08	1/2" - 14	1/2" - 14	20	7.5	42	22	27	22
AAM-08-12	1/2" - 14	3/4" - 14	20	10.9	45	27	32	25
AAM-12-08	3/4" - 14	1/2" - 14	20.3	7	45.7	30	27	20.4
AAM-12-12	3/4" - 14	3/4" - 14	20	10.9	45	30	32	25
AAM-12-16	3/4" - 14	1" - 11	20	11.7	46	32	41	32
AAM-16-12	1" - 11	3/4" - 14	20.3	9	49.6	32	38	21.7
AAM-16-16	1" - 11	1" - 11	25.5	11.7	52.5	36	41	32
AAM-16-20	1" - 11	1.1/4" - 11	27	9	59.6	46	50	33
AAM-20-12	1.1/4" - 11	3/4" - 14	26.5	10.9	54.5	46	32	25
AAM-20-16	1.1/4" - 11	1" - 11	26.5	11.7	55.5	46	41	32
AAM-20-20	1.1/4" - 11	1.1/4" - 11	26.5	11	58	46	50	33
AAM-20-24	1.1/4" - 11	1.1/2" - 11	26.6	12	61	50	55	33
AAM-24-24	1.1/2" - 11	1.1/2" - 11	27	12	62.5	50	55	35
AAM-32-32	2" - 11	2" - 11	30	16	69.1	65	70	40

AAMG / T SERIES

BSP MALE x BSPP FEMALE GAUGE ADAPTOR



Product Code	Thread		Dimensions mm						O-RING/P/N
	E (BSPP)	F (BSPP)	A	B	L	S1	S2		
AAMG-04-04*	1/4" - 19	1/4" - 19	12	14.5	26.5	19	19	AAMGOR - 04	
AAMG-04-08*	1/4" - 19	1/2" - 14	13.9	15.4	33.0	21.7	26.8	AAMGOR - 08	
AAMG-06-08*	3/8" - 18	1/2" - 14	11.9	15.5	34.0	21.7	26.8	AAMGOR - 08	
AAMG-08-08*	1/2" - 14	1/2" - 14	14.0	15.5	38.0	26.7	26.8	AAMGOR - 08	
	E (BSPT)	F (BSPP)							
AAMGT-02-04*	1/8" - 27	1/4" - 19	10.2	10.0	25.3	13.7	18.8	AAMGOR - 04	
AAMGT-04-04*	1/4" - 19	1/4" - 19	14.9	10.4	32.6	16.8	18.8	AAMGOR - 04	
AAMGT-04-08*	1/4" - 19	1/2" - 14	14.7	15.5	32.1	18.8	26.9		
AAMGT-06-08*	3/8" - 19	1/2" - 14	15.0	15.7	33.2	21.7	26.8	AAMGOR - 08	

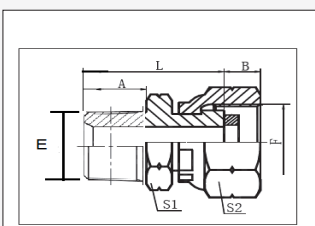
*NOTE: The above adaptors are supplied with a sealing O-ring mounted internally. Refer to above table for replacement O-Ring part number

**NOTE: The above adaptors are supplied with a sealing washer mounted internally.
Copper Seal PGS-04P is available separately as a spare part for the 1/4" gauge stem if needed.
Dimensions: 9.3mm x 5.4mm x 3.2mm



AAMGN SERIES

NPT MALE x BSPP FEMALE GAUGE ADAPTOR



Product Code	Thread		Dimensions mm						O-RING P/N
	E (NPT)	F (BSPP)	A	B	L	S1	S2		
AAMGN-04-04*	1/4" - 18	1/4" - 19	12	14.5	26.5	19	19	AAMGOR - 04	

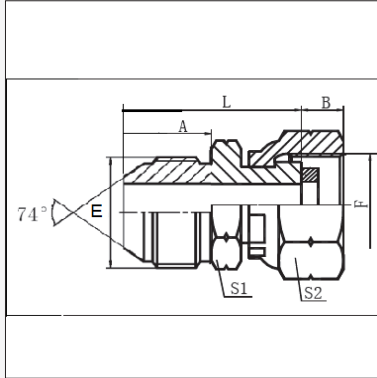
*NOTE: The above adaptor is supplied with a sealing O-ring mounted internally. Refer to above table for replacement O-Ring part number

ADAPTOR UNIONS



AAMGJ SERIES

JIC MALE x BSPP FEMALE GAUGE ADAPTOR

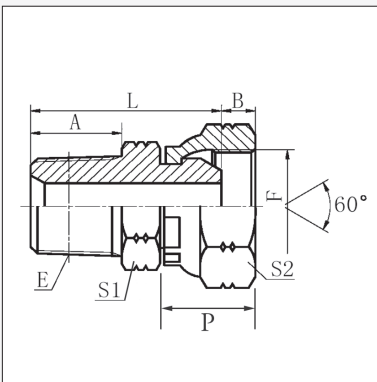


Product Code	Thread		Dimensions mm					
	E (JIC)	F (BSPP)	A	B	L	S1	S2	O-RING P/N
AAMGJ-07-04*	7/16" - 20	1/4" - 19	12	14.5	26.5	19	19	AAMGOR - 04
AAMGJ-09-04*	9/16" - 18	1/4" - 19	14.1	10.3	31.8	16.7	18.8	AAMGOR - 04
AAMGJ-09-08*	9/16" - 18	1/2" - 14	14.1	15.7	33.2	21.8	26.8	AAMGOR - 04

*NOTE: All the above adaptors are supplied with a sealing o-ring mounted internally. Refer to above table for replacement O-Ring part number

AAMN SERIES

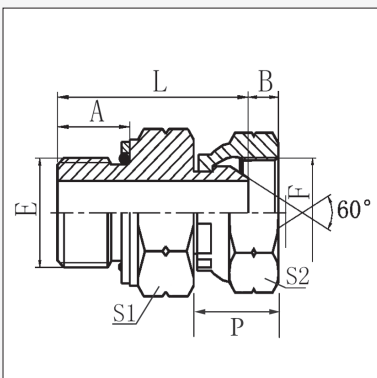
NPTF MALE x NPSM FEMALE STRAIGHT UNION



Product Code	Thread		Dimensions mm					
	E (NPT)	F (NPSM)	A	B	L	S1	S2	P
AAMN-02-02	1/8" - 27	1/8" - 27	10.5	3.5	25.5	12	15	16
AAMN-02-04	1/8" - 27	1/4" - 18	10.5	4.6	27	14	19	17
AAMN-04-04	1/4" - 18	1/4" - 18	15	4.6	31	17	19	17
AAMN-04-06	1/4" - 18	3/8" - 18	15	6	32.5	17	22	19
AAMN-06-04	3/8" - 18	1/4" - 18	16	4.6	33	19	19	17
AAMN-06-06	3/8" - 18	3/8" - 18	16	6	33.5	19	22	19
AAMN-06-08	3/8" - 18	1/2" - 14	16	7.5	36	19	27	22
AAMN-08-04	1/2" - 14	1/4" - 18	19.5	4.6	38.5	22	19	17
AAMN-08-06	1/2" - 14	3/8" - 18	19.5	6	39.5	22	22	19
AAMN-08-08	1/2" - 14	1/2" - 14	19.5	7.5	41	22	27	22
AAMN-08-12	1/2" - 14	3/4" - 14	19.5	8.9	44.5	27	32	25
AAMN-12-12	3/4" - 14	3/4" - 14	19.5	8.9	44.5	30	32	25
AAMN-16-16	1" - 11.5	1" - 11.5	25.5	10.5	52.5	36	41	32
AAMN-20-20	1.1/4" - 11.5	1.1/4" - 11.5	26.5	11.2	60.4	46	50	33
AAMN-24-24	1.1/2" - 11.5	1.1/2" - 11.5	27.5	11.2	62	50	55	37
AAMN-32-32	2" - 11.5	2" - 11.5	27.5	11.2	65.4	65	70	42

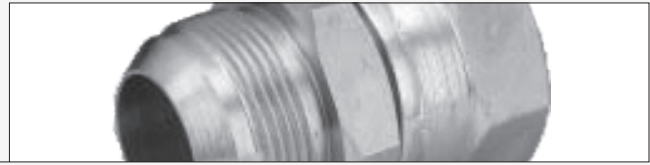
AAMP SERIES

BSPP MALE x BSPP FEMALE STRAIGHT UNION



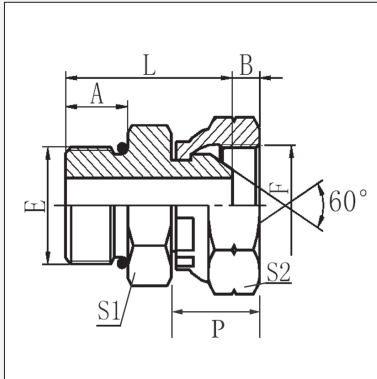
Product Code	Thread		Dimensions mm					
	E (BSPP)	F (BSPP)	A	B	L	S1	S2	P
AAMP-04-04	1/4" - 19	1/4" - 19	10.5	5.5	28.5	19	19	17
AAMP-06-06	3/8" - 19	3/8" - 19	11.5	6.3	32	22	22	19
AAMP-06-08	3/8" - 19	1/2" - 14	11.5	7.5	34	22	27	22
AAMP-08-08	1/2" - 14	1/2" - 14	14	7.5	38	27	27	22
AAMP-08-12	1/2" - 14	3/4" - 14	16	10.9	41	27	32	
AAMP-08-16	1/2" - 14	1" - 11	16	11.7	43.5	32	41	
AAMP-12-12	3/4" - 14	3/4" - 14	15.5	10.9	41.5	32	32	25
AAMP-16-16	1" - 11	1" - 11	18	11.7	48	41	41	32
AAMP-20-20	1.1/4" - 11	1.1/4" - 11	20	11	53.5	50	50	33

ADAPTOR UNIONS



AAP SERIES

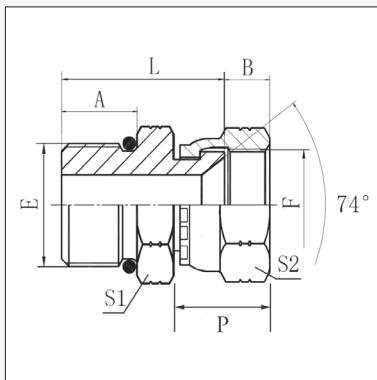
UN'O' MALE x BSPP FEMALE STRAIGHT UNION



Product Code	Thread		Dimensions mm				
	E (UNO)	F (BSPP)	A	B	S1	S2	P
AAP-09-04	9/16" - 18	1/4" - 19	9.9	5.5	27	17	19
AAP-09-06	9/16" - 18	3/8" - 19	9.9	6.3	28	17	22
AAP-12-06	3/4" - 16	3/8" - 19	11.1	6.3	31	22	22
AAP-12-08	3/4" - 16	1/2" - 14	11.1	7.5	33	22	27
AAP-14-06	7/8" - 14	3/8" - 19	12.7	6.3	35	27	22
AAP-14-08	7/8" - 14	1/2" - 14	12.7	7.5	36.5	27	27
AAP-17-12	1.1/16" - 12	3/4" - 14	15.1	10.9	41	32	32
AAP-21-16	1.5/16" - 12	1" - 11	15.1	11.7	42	38	41

AAU SERIES

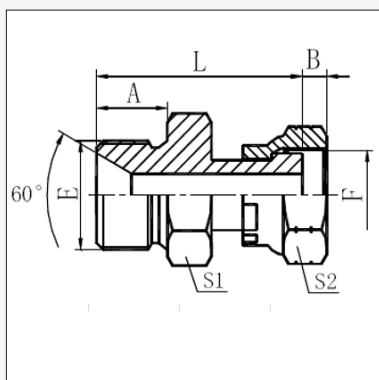
UN'O' MALE x JIC FEMALE STRAIGHT UNION



Product Code	Thread		Dimensions mm					
	E (UNO)	F (JIC)	A	B	L	S1	S2	P
AAU-07-07	7/16" - 20	7/16" - 20	9.1	9	23	14	15	18.5
AAU-09-09	9/16" - 18	9/16" - 18	9.9	10.5	24.5	17	19	21.5
AAU-12-12	3/4" - 16	3/4" - 16	11.1	10.5	29.5	22	24	23
AAU-14-14	7/8" - 14	7/8" - 14	12.7	12	34	27	27	
AAU-17-17	1.1/16" - 12	1.1/16" - 12	15.1	15	38.5	32	32	27.5
AAU-21-21	1.5/16" - 12	1.5/16" - 12	15.1	16	38.5	38	41	30

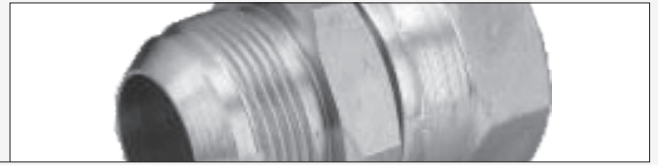
FF1205 SERIES

BSPP MALE (ED) X ORFS FEMALE



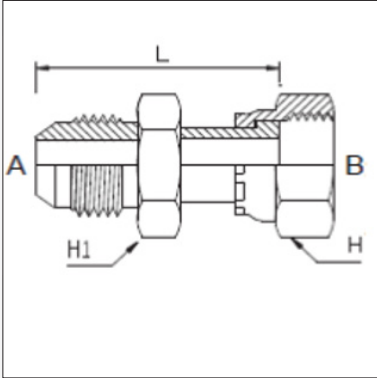
Product Code	Thread		Dimensions mm				
	E (BSPP)	F (ORFS)	A	B	L	S1	S2
FF1205-0404	1/4"-19	9/16"-18	12	8.2	34	19	17
FF1205-0606	3/8"-19	11/16"-16	13.5	9	40	22	22
FF1205-0808	1/2"-14	13/16"-16	16	11	46.5	27	27
FF1205-0810	1/2"-14	1"-14	16	13.5	50.5	27	30
FF1205-1212	3/4"-14	1.3/16"-12	16	17.5	56	32	35
FF1205-1616	1"-11	1.7/16"-12	18	17.5	61.7	41	41.3

ADAPTOR UNIONS



FF1209 SERIES

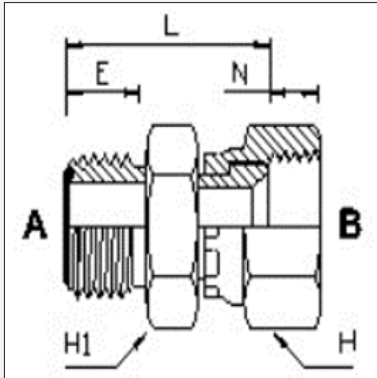
JIC MALE X ORFS FEMALE



Product Code	Thread		Dimensions mm		
	A (JIC)	B (ORFS)	L	H1	H
FF1209-0704	7/16-20	9/16-18	35.5	14	19
FF1209-0706	7/16-20	11/16-16	32	19.1	20.6
FF1209-0904	9/16-18	9/16-18	35.5	17	17
FF1209-0906	9/16-18	11/16-16	32	19.05	22.23
FF1209-0908	9/16-18	13/16-16	36	22.2	23.8
FF1209-1208	3/4-16	13/16-16	37	22.23	27
FF1209-1410	7/8-14	1-14	44	27	28.58
FF1209-1412	7/8-14	1.3/16-12	47	31.8	34.9
FF1209-1416	7/8-14	1.7/16-12	48	38.1	41.3
FF1209-1712	1.1/16-12	1.3/16-12	49	31.75	34.93
FF1209-2116	1.5/16-12	1.7/16-12	52	38.1	41.28
FF1209-2616	1.5/16-12	1.7/16-12	58	38.1	41.3
FF1209-2620	1.5/8-12	1.11/16-12	58	47.63	47.63

FF1214 SERIES

ORFS MALE X JIC FEMALE

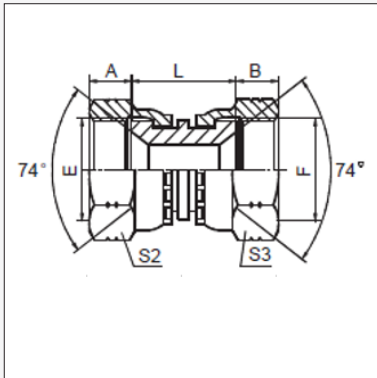


Product Code	Thread		Dimensions mm				
	A (ORFS)	B (JIC)	L	E	N	H1	H
FF1214-0407	9/16-18	7/16-20	25	10	9	14.3	14.3
FF1214-0607	11/16-16	7/16-20	29	11	9	17.5	14.3
FF1214-0609	11/16-16	9/16-18	30	11	10	17.5	17.5
FF1214-0809	13/16-16	9/16-18	33	13	10	22.2	22.2
FF1214-0812	13/16-16	3/4-16	34	13	11	22.2	22.2
FF1214-1014	1-14	7/8-14	40	16	13	25.4	25.4
FF1214-1214	1.3/16-12	7/8-14	44	17	13	31.8	25.4
FF1214-1217	1.3/16-12	1.1/16-12	44	17	14	31.8	31.8
FF1214-1614	1.7/16-12	7/8-14	44	18	13	38.1	25.4
FF1214-1621	1.7/16-12	1.5/16-12	47	18	15	38.1	38.1
FF1214-1626	1.7/16-12	1.5/8-12	51	18	16	50.8	50
FF1214-2026	1.11/16-12	1.5/8-12	51	18	16	50.8	50

ADAPTOR UNIONS

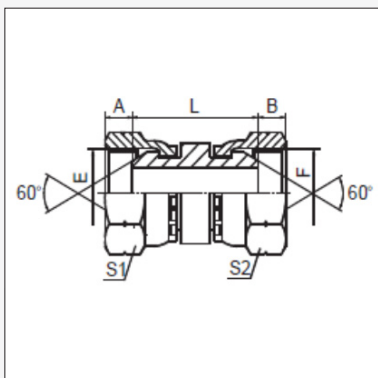


AABS SERIES JIC FEMALE X JIC FEMALE



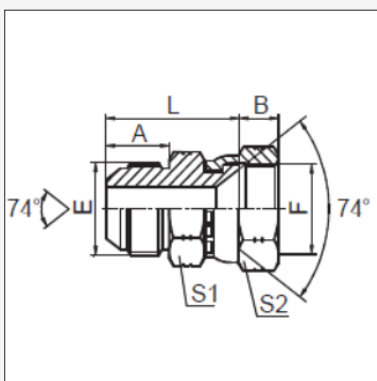
Product Code	Thread		Dimensions mm				
	E (JIC)	F (JIC)	A	B	L	S2	S3
AABS-07-07	7/16"-20	7/16"-20	9	9	19	15	15
AABS-09-09	9/16"-18	9/16"-18	10.5	10.5	21	19	19
AABS-12-12	3/4"-16	3/4"-16	11	11	26	24	24
AABS-14-14	7/8"-14	7/8"-14	13	13	27	27	27
AABS-17-17	1.1/16"-12	1.1/16"-12	15	15	29	32	36
AABS-21-21	1.5/16"-12	1.5/16"-12	16	16	29	41	41

AAMF SERIES BSPP FEMALE X BSPP FEMALE



Product Code	Thread		Dimensions mm				
	E (BSPP)	F (BSPP)	A	B	L	S1	S2
AAMF-08-08	1/2"-14	1/2"-14	7.5	7.5	31	27	27
AAMF-16-16	1"-11	1"-11	11.7	11.7	36.5	41	41

AAPJ SERIES JIC MALE X JIC FEMALE

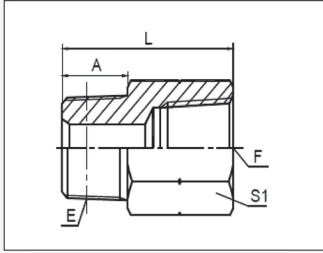


Product Code	Thread		Dimensions mm				
	E (JIC)	F (JIC)	A	B	L	S1	S2
AAPJ-07-07	7/16"-20	7/16"-20	14	9	28	12	15
AAPJ-09-09	9/16"-18	9/16"-18	14.1	10.5	29	17	19
AAPJ-12-12	3/4"-16	3/4"-16	16.7	11	36	22	24
AAPJ-14-14	7/8"-14	7/8"-14	19.3	13	39	24	27
AAPJ-17-17	1.1/16"-12	1.1/16"-12	21.9	15	44.5	30	32

ADAPTORS FIXED

**AA** SERIES

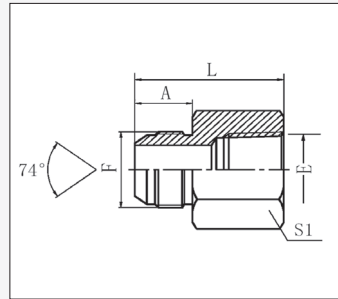
BSPT MALE x BSPT STUD ADAPTOR



Product Code	BSPT Thread E	BSPT Thread F	Dimensions (mm)		
			A	L	S1
AA-02-02	1/8" - 28	1/8" - 28	11.5	27.5	14
AA-02-04	1/8" - 28	1/4" - 19	10	31	17
AA-04-04	1/4" - 19	1/4" - 19	14	35	20
AA-04-06	1/4" - 19	3/8" - 19	14	37	22
AA-06-06	3/8" - 19	3/8" - 19	15	41	25
AA-06-08	3/8" - 19	1/2" - 14	15	43	27
AA-08-08	1/2" - 14	1/2" - 14	19.6	49	27
AA-08-12	1/2" - 14	3/4" - 14	19	50	32

AB SERIES

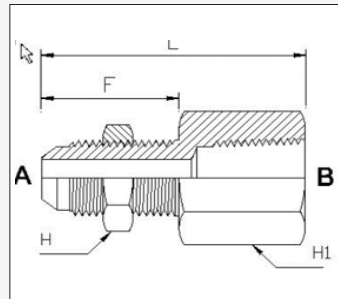
BSPT FEMALE x JIC MALE STRAIGHT



Product Code	Thread		Dimensions mm		
	E (BSPT)	F (JIC)	A	L	S1
AB-02-07	1/8" - 28	7/16" - 20	14	30	14
AB-04-07	1/4" - 19	7/16" - 20	14	35.5	19
AB-04-08	1/4" - 19	1/2" - 20	14	35.5	19
AB-04-09	1/4" - 19	9/16" - 18	14	35.5	19
AB-06-09	3/8" - 19	9/16" - 18	14	36.5	22
AB-06-12	3/8" - 19	3/4" - 16	16.7	39.5	22
AB-08-09	1/2" - 14	9/16" - 18	14	42.5	27
AB-08-12	1/2" - 14	3/4" - 16	16.7	45.5	27
AB-08-14	1/2" - 14	7/8" - 14	19.3	48	27
AB-12-17	3/4" - 14	1.1/16" - 12	22	52.5	36
AB-16-21	1" - 11	1.5/16" - 12	23	59.5	41

ABH SERIES

BSPT FEMALE X JIC MALE BULKHEAD

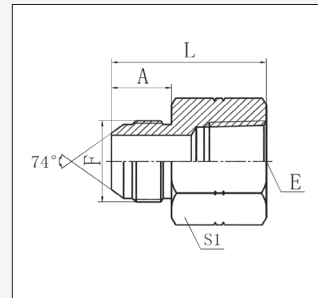


Product Code	Thread		Dimensions mm		
	A (JIC)	B (BSPT)	L	F	H1
ABH-02-07	7/16-20	1/8-28	47	31	14
SSABH-02-07	7/16-20	1/8-28	47	31	14

*SSABH-02-07 stainless steel

ABN SERIES

NPT FEMALE x JIC MALE STRAIGHT



Product Code	Thread		Dimensions mm		
	E (NPT)	F (JIC)	A	L	S1
ABN-02-07	1/8" - 28	7/16" - 20	14	30.2	14
ABN-04-07	1/4" - 19	7/16" - 20	14	35.3	19
ABN-04-09	1/4" - 19	9/16" - 18	14.1	35.6	19
ABN-06-09	3/8" - 19	9/16" - 18	14.1	37.1	22
ABN-06-12	3/8" - 19	3/4" - 16	16.7	39.6	22
ABN-08-09	1/2" - 14	9/16" - 18	14.5	43	26
ABN-08-12	1/2" - 14	3/4" - 16	16.7	45.6	30
ABN-08-14	1/2" - 14	7/8" - 14	19.5	48	29
ABN-12-17	3/4" - 14	1.1/16" - 12	21.9	52.3	36
ABN-16-21	1" - 11	1.5/16" - 12	23.1	59.7	41

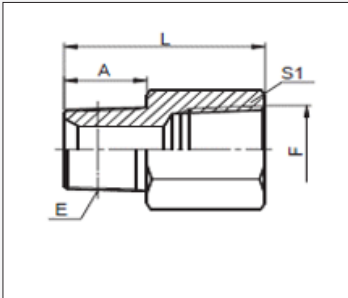
This page is part of a complete catalogue containing technical and safety data.
All data must be reviewed when selecting a product.
Pirtek reserve the right to change technical specifications without notice

ADAPTORS FIXED



AAN SERIES

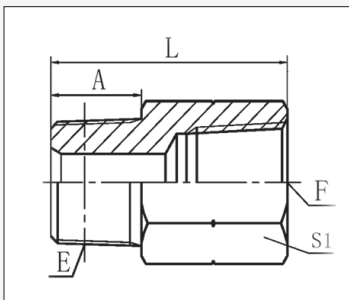
BSPT MALE X NPT FEMALE



Product Code	Thread		Dimensions mm		
	E(BSPT)	F(NPT)	A	L	S1
AAN-02-02	1/8"X28	1/8"X27	10	25	17

ANN SERIES

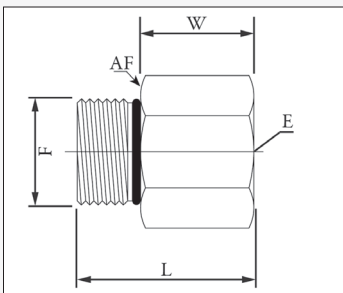
NPT MALE x NPT FEMALE REDUCER



Product Code	NPT Thread E	NPT Thread F	Dimensions (mm)		
			A	L	S1
ANN-02-02	1/8" - 27	1/8" - 27	10.5	25.5	17
ANN-02-04	1/8" - 27	1/4" - 18	10.5	31	19
ANN-04-04	1/4" - 18	1/4" - 18	15	35.3	19
ANN-08-12	1/2" - 14	3/4" - 14	19.5	49	36

ANU SERIES

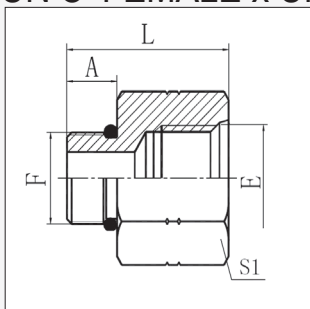
NPT FEMALE x UN'O' MALE STRAIGHT



Product Code	Thread		Dimensions mm			
	E (NPT)	F (UNO)	W	L	AF	
ANU-04-09	1/4" - 18	9/16" - 18	22.6	29.2	19.1	
ANU-08-14	1/2" - 14	7/8" - 14	23.4	39.3	28.6	
ANU-12-14	3/4" - 19	7/8" - 14	25.7	42.2	34.9	

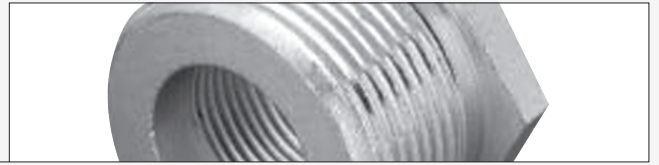
AUU SERIES

UN'O' FEMALE x UN'O' MALE STRAIGHT UNION

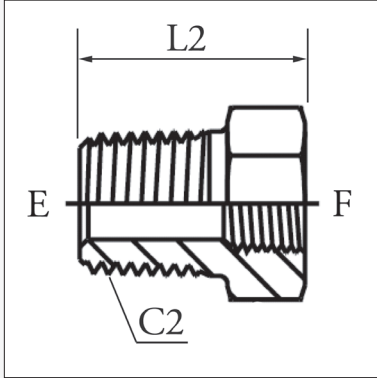


Product Code	Thread		Dimensions mm		
	E (UNO)	F (UNO)	A	L	S1
AUU-07-12	7/16" - 20	3/4" - 16	11.13	19.5	22
AUU-09-07	9/16" - 18	7/16" - 20	9.14	31	22
AUU-09-12	9/16" - 18	3/4" - 16	11.13	31.5	22
AUU-09-14	9/16" - 18	7/8" - 14	12.7	20.6	27
AUU-12-17	3/4" - 16	1.1/16" - 12	15.09	26	32
AUU-21-26	1.5/16" - 12	1.5/8" - 12	15.1	40	50

REDUCING BUSHES

**AQ** SERIES

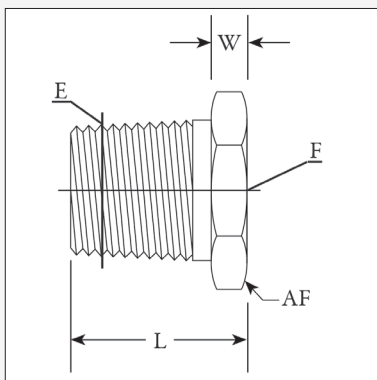
BSPT MALE x BSPT FEMALE REDUCER



Product Code	Thread		Dimensions mm			
	E (BSPT)	F (BSPT)	C2	L2		
AQ-04-02	1/4" - 19	1/8" - 28	14	20.5		
AQ-06-02	3/8" - 19	1/8" - 28	19	21.6		
AQ-06-04	3/8" - 19	1/4" - 19	19	21.6		
AQ-08-04	1/2" - 14	1/4" - 19	22	28		
AQ-08-06	1/2" - 14	3/8" - 19	22	28		
AQ-12-04	3/4" - 14	1/4" - 19	29	29		
AQ-12-06	3/4" - 14	3/8" - 19	29	29		
AQ-12-08	3/4" - 14	1/2" - 14	29	29		
AQ-16-04	1" - 11	1/4" - 19	36	34		
AQ-16-06	1" - 11	3/8" - 19	35	34		
AQ-16-08	1" - 11	1/2" - 14	35	34		
AQ-16-12	1" - 11	3/4" - 14	35	34		
AQ-20-08	1.1/4" - 11	1/2" - 14	45	36.6		
AQ-20-12	1.1/4" - 11	3/4" - 14	45	37.6		
AQ-20-16	1.1/4" - 11	1" - 11	45	37.6		
AQ-24-12	1.1/2" - 11	3/4" - 14	50	39.6		
AQ-24-16	1.1/2" - 11	1" - 11	50	39.6		
AQ-24-20	1.1/2" - 11	1.1/4" - 11	50	39.6		
AQ-32-16	2" - 11	1" - 11	65	45		
AQ-32-20	2" - 11	1.1/4" - 11	65	45		

AR SERIES

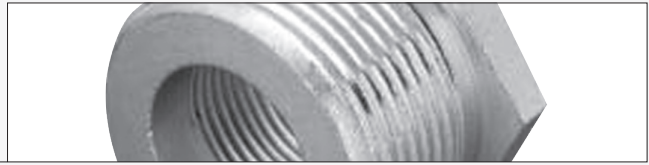
NPTF MALE x NPTF FEMALE REDUCER



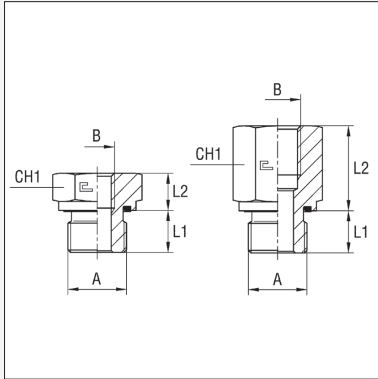
Product Code	Thread		Dimensions mm			
	E (NPT)	F (NPT)	L	W	AF	
AR-04-02	1/4" - 18	1/8" - 27	21.8	6.4	15.9	
AR-06-02	3/8" - 18	1/8" - 27	21.8	6.4	19.1	
AR-06-04	3/8" - 18	1/4" - 17	21.8	6.4	19.1	
AR-08-02	1/2" - 14	1/8" - 27	28.2	7.9	22.2	
AR-08-04	1/2" - 14	1/4" - 18	28.2	7.9	22.2	
AR-08-06	1/2" - 14	3/8" - 18	28.2	7.9	22.2	
AR-12-04	3/4" - 14	1/4" - 18	29.7	9.7	28.6	
AR-12-06	3/4" - 14	3/8" - 18	29.7	9.7	28.6	
AR-12-08	3/4" - 14	1/2" - 14	29.7	9.7	28.6	
AR-16-06	1" - 11.5	3/8" - 18	34.5	9.7	34.9	
AR-16-08	1" - 11.5	1/2" - 14	34.5	9.7	34.9	
AR-16-12	1" - 11.5	3/4" - 14	34.5	9.7	34.9	
AR-20-08	1.1/4" - 11.5	1/2" - 14	37.3	11.7	44.5	
AR-20-12	1.1/4" - 11.5	3/4" - 14	37.3	11.7	44.5	
AR-20-16	1.1/4" - 11.5	1" - 11.5	37.3	11.7	44.5	
AR-24-16	1.1/2" - 11.5	1" - 11.5	39.9	13.5	50.8	
AR-24-20	1.1/2" - 11.5	1.1/4" - 11.5	39.9	13.5	50.8	
AR-32-16	2" - 11.5	1" - 11.5	44.5	17.3	63.5	
AR-32-20	2" - 11.5	1.1/4" - 11.5	44.5	17.3	63.5	
AR-32-24	2" - 11.5	1.1/2" - 11.5	44.5	17.3	63.5	

This page is part of a complete catalogue containing technical and safety data.
All data must be reviewed when selecting a product.
Pirtek reserve the right to change technical specifications without notice

REDUCING BUSHES



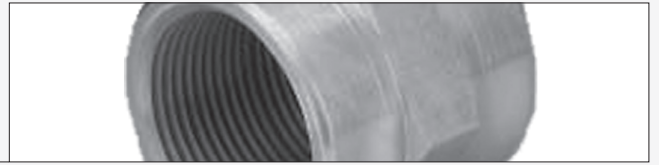
RI SERIES BSPP REDUCING ADAPTOR ELASTOMERIC SEAL



Series	Max.W.P.bar	Product Code	A	B	L1	L2	CH1
L / S	630	RI-02-04	1/8	1/4	8	23	19
		RI-02-06 †	1/8	3/8	8	24	24
		RI-04-02	1/4	1/8	12	16	19
		RI-04-06	1/4	3/8	12	24	24
		RI-04-08	1/4	1/2	12	28	30
		RI-04-12	1/4	3/4	12	31	36
		RI-06-02 †	3/8	1/8	12	10.5	22
		RI-06-04	3/8	1/4	12	24	22
	400	RI-06-08	3/8	1/2	12	29	30
		RI-06-12	3/8	3/4	12	32	36
	630	RI-08-02 †	1/2	1/8	14	10	27
		RI-08-04 †	1/2	1/4	14	10	27
		RI-08-06	1/2	3/8	14	22	27
	400	RI-08-12	1/2	3/4	14	32	36
		RI-08-16	1/2	1	14	35	41
		RI-08-20	1/2	1.1/4	14	39	55
		RI-12-04 †	3/4	1/4	16	10	32
		RI-12-06 †	3/4	3/8	16	10	32
		RI-12-08	3/4	1/2	16	26	32
		RI-12-16	3/4	1	16	35	41
	315	RI-12-20	3/4	1.1/4	16	39	55
		RI-12-24	3/4	1.1/2	16	41	60
	400	RI-16-04 †	1	1/4	18	11	41
		RI-16-06 †	1	3/8	18	11	41
RI-16-08 †		1	1/2	18	11	41	
RI-16-12		1	3/4	18	29	41	
RI-16-20		1	1.1/4	18	39	55	
315	RI-16-24	1	1.1/2	18	41	60	
400	RI-20-08 †	1.1/4	1/2	20	12	50	
	RI-20-12 †	1.1/4	3/4	20	12	50	
	RI-20-16	1.1/4	1	20	31	50	
315	RI-20-24	1.1/4	1.1/2	20	40	60	
	RI-24-08 †	1.1/2	1/2	22	14	55	
	RI-24-12 †	1.1/2	3/4	22	14	55	
	RI-24-16 †	1.1/2	1	22	14	55	
		RI-24-20	1.1/2	1.1/4	22	46	50

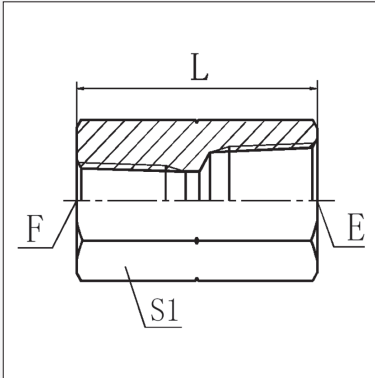
† Limited stock available

SOCKETS

**W** SERIES

BSPT FEMALE x BSPT FEMALE

† BSPP FEMALE x BSPP FEMALE

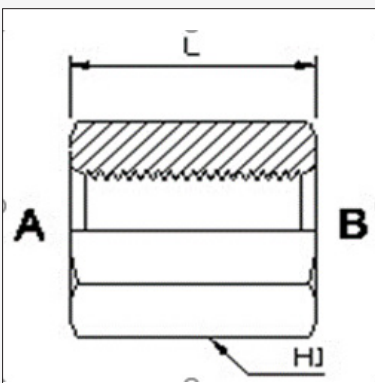


Product Code	Thread		Dimensions mm			
	E (BSPT)	F (BSPT)	L	S1		
W-02-02	1/8" - 28	1/8" - 28	20	14		
W-02-02P †	1/8"-28	1/8"-28	20	14		
W-04-02	1/4" - 19	1/8" - 28	30	19		
W-04-04	1/4" - 19	1/4" - 19	30	19		
W-04-04P †	1/4" - 19	1/4" - 19	30	19		
W-06-04	3/8" - 19	1/4" - 19	30	22		
W-06-06	3/8" - 19	3/8" - 19	30	22		
W-06-06P †	3/8" - 19	3/8" - 19	30	22		
W-08-04	1/2"-14	1/4"-19	37	27		
W-08-06	1/2" - 14	3/8" - 19	40	27		
W-08-08	1/2" - 14	1/2" - 14	40	27		
W-08-08P †	1/2" - 14	1/2" - 14	40	27		
W-12-08	3/4" - 14	1/2" - 14	42	36		
W-12-12	3/4" - 14	3/4" - 14	42	36		
W-12-12P †	3/4" - 14	3/4" - 14	42	36		
W-16-12	1" - 11	3/4" - 14	50	41		
W-16-16	1" - 11	1" - 11	50	41		
W-16-16P †	1" - 11	1" - 11	50	41		
W-20-16	1.1/4" - 11	1" - 11	52	50		
W-20-20	1.1/4" - 11	1.1/4" - 11	55	50		
W-20-20P †	1.1/4" - 11	1.1/4" - 11	50	50		
W-24-24P †	1.1/2" - 11	1.1/2" - 11	55	55		

† BSPP threads at both ends

W_U SERIES

UNO FEMALE X UNO FEMALE



Product Code	Thread		Dimensionsmm	
	A (UNO)	B (UNO)	L	H1
W-07-07U	7/16"-20	7/16"-20	28.9	15.9
W-09-09U	9/16"-18	9/16"-18	29.5	20.6
W-12-12U	3/4"-16	3/4"-16	36	27
W-14-14U	7/8"-14	7/8"-14	40.6	28.6
W-17-17U	1.1/16"-12	1.1/16"-12	46.7	31.8

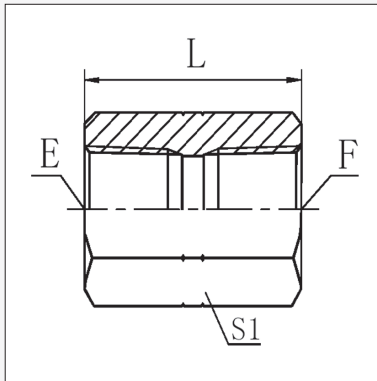
† BSPP threads at both ends

This page is part of a complete catalogue containing technical and safety data. All data must be reviewed when selecting a product.

Pirtek reserve the right to change technical specifications without notice

V / VHD SERIES

NPTF FEMALE x NPTF FEMALE



Product Code	Thread		Dimensions mm			
	E (NPT)	F (NPT)	L	S1		
V-02-02	1/8" - 27	1/8" - 27	24	17		
V-04-04	1/4" - 18	1/4" - 18	29	19		
V-06-06	3/8" - 18	3/8" - 18	29	22		
V-08-08	1/2" - 14	1/2" - 14	38	30		
V-12-12	3/4" - 14	3/4" - 14	39	36		
V-16-16	1" - 11.5	1" - 11.5	48	41		
V-20-20	1.1/4" - 11.5	1.1/4" - 11.5	49	50		
V-24-24	1.1/2" - 11.5	1.1/2" - 11.5	49	60		
V-32-32	2" - 11.5	2" - 11.5	50	70		
V-02-02	1/8" - 27	1/8" - 27	24	17		
V-04-04	1/4" - 18	1/4" - 18	29	19		
V-06-06	3/8" - 18	3/8" - 18	29	22		
V-08-08	1/2" - 14	1/2" - 14	38	30		
V-12-12	3/4" - 14	3/4" - 14	39	36		
V-16-16	1" - 11.5	1" - 11.5	48	41		
V-20-20	1.1/4" - 11.5	1.1/4" - 11.5	49	50		
V-24-24	1.1/2" - 11.5	1.1/2" - 11.5	49	60		
V-32-32	2" - 11.5	2" - 11.5	50	70		
HEAVY DUTY 10,000 PSI (700 BAR) HIGH PRESSURE SERIES						
VHD-04-04	1/4" - 18	1/4" - 18	29	19		
VHD-06-04	3/8" - 18	1/4" - 18	29	24		
VHD-06-06	3/8" - 18	3/8" - 18	29	24		



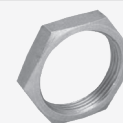
SECTION 13 FLANGE FITTINGS

PAGE

AF3 / AF6	CODE 61/62 UNCUT SPLIT FLANGES	-	D 85
AFTF6	CODE 62 TAPERED FLANGE CLAMP	-	D 85
AXP3/AXP6	CODE 61 & 62 BLANKING PLUGS	-	D 85 / D 86
AX3	CODE 61 'BLIND' FLANGES	-	D 86
AX6	CODE 62 'BLIND' FLANGES	-	D 86
AZ3	CODE 61 SPLIT FLANGE CLAMPS	-	D 86
AZ6	CODE 62 SPLIT FLANGE CLAMPS	-	D 87
AZLT	LETOURNEAU SPLIT FLANGE CLAMPS	-	D 87
BFS	CODE 61 FLANGE THREADED BSPP	- / F	D 87
BFH	CODE 62 FLANGE THREADED BSPP	- / F	D 87
C611JM-C629JM	CODE FLANGES x JIC MALE	- / M	D 88 - D 89
C62JM9	CODE 62 x JIC MALE 90° FORGED	- / M	D 90
C62IPM	CODE 62 x BSPP MALE		D 90



SECTION 14 SEALS & ACCESSORIES



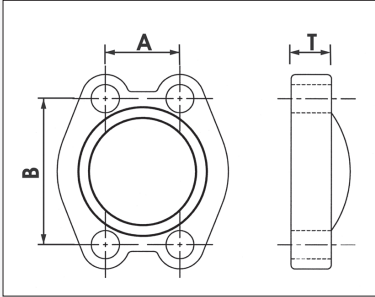
ED/ED-V	ELASTOMER SEAL ENCAPULATED BSPP & METRIC	-	D 91
FF3030	O-RINGS - ORFS	-	D 87
OKS	O-RINGS - SAE FLANGE (POLY)	-	D 93
KY	O-RINGS KOMATSU® FLANGE	-	D 93
X	UN-'O' RING (SAE O-RING BOSS)	-	D 94
Y / YD / YEH	O-RINGS - SAE FLANGE (NITRILE)	-	D 94
Q	BONDED SEAL - METRIC	-	D 95
Z	BONDED SEAL - BSPP	-	D 95
FF1332	ORFS LOCK NUT	-	D 96
CW	SAE CODE 62 / SUPERCAT SPACER	-	D 96
LNB	LOCKING NUT BSPP	-	D 97
LNJ	LOCKING NUT JIC / UNO	-	D 97
RRB	RETAINING RING BSPP	-	D 98
RROB	O-RING SUIT RRB RETAINING RING	-	D 98

FLANGE FITTINGS



AF3 SERIES

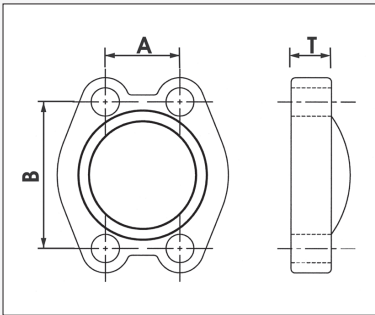
CODE 61 UNCUT FLANGE CLAMP (3,000 PSI)



Product Code	Flange Size	Maximum W.P. bar	Dimensions mm			Bolt Size	
			A	B	T	Metric	UNC
AF3-12	3/4"	345	22.23	47.63	14	M10 x 30	3/8" - 1.5
AF3-16	1"	345	26.19	52.37	16	M10 x 30	3/8" - 1.5
AF3-20	1.1/4"	276	30.18	58.72	14	M10 x 30	7/16" - 1.75
AF3-24	1.1/2"	207	35.71	69.85	16	M12 x 35	1/2" - 1.75
AF3-32	2"	207	42.88	77.77	16	M12 x 35	1/2" - 1.75
AF3-40	2.1/2"	172	50.8	88.90	19	M12 x 40	1/2" - 1.75
AF3-48	3"	138	61.93	106.4	22	M16 x 50	5/8" - 2

AF6 SERIES & AFBS6

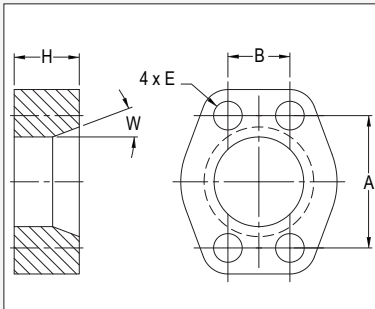
CODE 62 UNCUT FLANGE CLAMP (6,000 PSI)



Product Code	Flange Size	Maximum W.P. bar	Dimensions mm			Bolt Size	
			A	B	T	Metric	UNC
AF6-12	3/4"	420	23.80	50.80	19	M10 x 35	3/8" - 1.5
AF6-16	1"	420	27.76	57.15	24	M12 x 45	7/16" - 1.75
AF6-20	1.1/4"	420	31.75	66.68	27	M12 x 45	1/2" - 1.75
AF6-24	1.1/2"	420	36.50	79.38	30	M16 x 55	5/8" - 11
AF6-32	2"	420	44.45	96.82	37	M20 x 70	3/4" - 10
AFBS6-32	2"	420	44.45	96.82	37	M20 x 70	3/4" - 10

AFTF6 SERIES

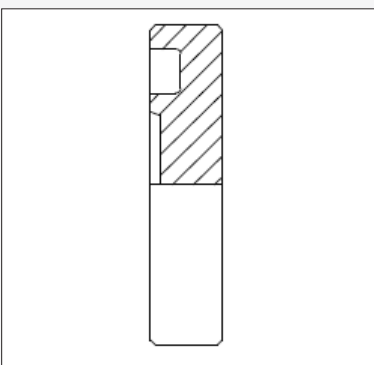
CODE 62 UNCUT TAPERED FLANGE CLAMP (6,000 PSI)



Product Code	Flange Size	Maximum W.P. bar	Dimensions mm			Bolt Size E	
			A	B	H	Metric	UNC
AFTF6-32	2"	420	44.45	96.82	50	M20 x 100	3/4" - 10

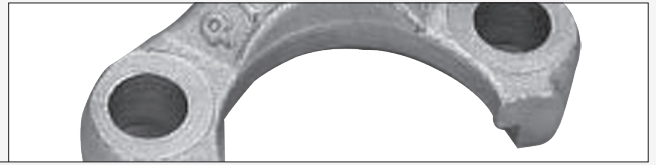
AXP3 SERIES

CODE 61 FLANGE BLANKING PLUG (3,000 PSI) DISC c/w O-Ring

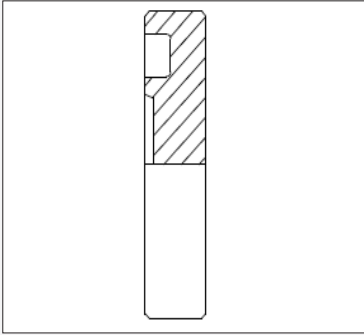


Product Code	Flange Size	Maximum W.P. Bar	Dimensions mm	
			A (Height)	B (Diameter)
AXP3-08	1/2"	345	6.73	30.18
AXP3-12	3/4"	345	6.73	38.10
AXP3-16	1"	345	8.00	44.45
AXP3-20	1 1/4"	276	8.00	50.80
AXP3-24	1 1/2"	207	8.00	60.33
AXP3-32	2"	207	9.53	71.42
AXP3-40	2 1/2"	172	9.53	84.12
AXP3-48	3"	138	9.53	101.60

FLANGE FITTINGS

**AXP6** SERIES

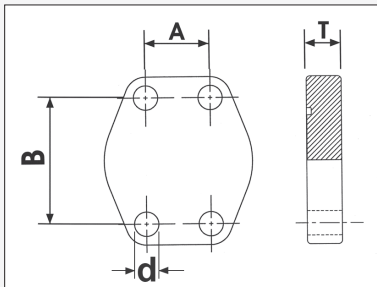
CODE 62 FLANGE BLANKING PLUG (6,000 PSI) DISC c/w O-Ring



Product Code	Flange Size	Maximum W.P. Bar	Dimensions mm	
			A (Height)	B (Diameter)
AXP6-12	3/4"	414	8.76	41.28
AXP6-16	1"	414	9.53	47.63
AXP6-20	1.1/4"	414	10.29	53.98
AXP6-24	1.1/2"	414	12.57	63.50
AXP6-32	2"	414	12.57	79.38

AX3 SERIES

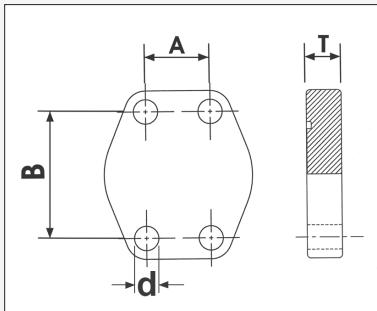
CODE 61 'BLIND' FLANGE (3,000 PSI)



Product Code	Flange Size	Maximum W.P. bar	Dimensions mm				Bolt Size	
			A	B	d	T	Metric	UNC
AX3-12	3/4"	345	22.23	47.63	11	16	M10 x 30	3/8" - 16
AX3-16	1"	345	26.19	52.37	11	19	M10 x 30	3/8" - 16
AX3-20	1.1/4"	276	30.18	58.72	12	19	M10 x 30	7/16" - 14
AX3-24	1.1/2"	207	35.71	69.85	13.5	20	M12 x 35	1/2" - 13
AX3-32	2"	207	42.88	77.77	13.5	20	M12 x 35	1/2" - 13
AX3-40	2.1/2"	172	50.8	88.90	13.5	20	M12 x 40	1/2" - 13
AX3-48	3"	138	61.93	106.4	17.5	24	M16 x 50	5/8" - 11

AX6 SERIES

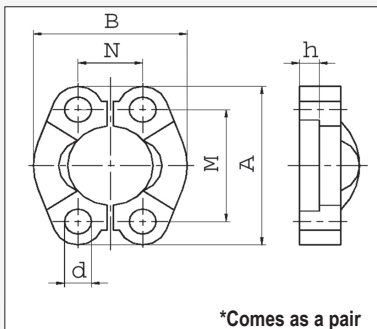
CODE 62 'BLIND' FLANGE (6,000 PSI)



Product Code	Flange Size	Maximum W.P. bar	Dimensions mm				Bolt Size	
			A	B	d	T	Metric	UNC
AX6-12	3/4"	414	23.80	50.80	11	19	M10 x 35	3/8" - 16
AX6-16	1"	414	27.76	57.15	13	24	M12 x 45	7/16" - 14
AX6-20	1.1/4"	414	31.75	66.68	15	27	M12 x 45	1/2" - 13
AX6-24	1.1/2"	414	36.50	79.38	17	30	M16 x 55	5/8" - 11
AX6-32	2"	414	44.45	96.82	21	28	M20 x 70	3/4" - 10

AZ3 SERIES

CODE 61 SPLIT FLANGE (3,000 PSI)



*Comes as a pair

Product Code	Flange Size	Maximum W.P. bar	Dimensions mm						Bolt Size	
			A	B	M	N	h	d	Metric	UNC
AZ3-08	1/2"	345	53.8	46.1	38.1	17.5	6.2	9	M8 x 25	5/16" - 18
AZ3-10	5/8"	345	22.8	47.6	42.9	19.8	6.2	9	M8 x 35	5/16" - 18
AZ3-12	3/4"	345	65	52.4	47.6	22.2	6.2	11	M10 x 30	3/8" - 16
AZ3-16	1"	345	69.9	58.7	52.4	26.2	7.5	11	M10 x 30	3/8" - 16
AZ3-20	1.1/4"	276	79.2	73	58.7	30.2	7.5	12	M10 x 30	7/16" - 14
AZ3-24	1.1/2"	207	93.7	82.6	69.9	35.7	7.5	13.5	M12 x 35	1/2" - 13
AZ3-32	2"	207	101.6	96.8	77.8	42.9	9	13.5	M12 x 35	1/2" - 13
AZ3-40	2.1/2"	172	114	108	88.9	50.8	9	13.5	M12 x 40	1/2" - 13
AZ3-48	3"	138	135	130.6	106.4	61.9	9	17.5	M16 x 50	5/8" - 11
AZ3-56	3.1/2"	35	152	139.2	120.7	69.8	10.7	17.5	M16 x 50	5/8" - 11
AZ3-64	4"	35	161	149.8	130.3	76.8	10.7	16.8	M16 x 50	5/8" - 11

This page is part of a complete catalogue containing technical and safety data.
All data must be reviewed when selecting a product.

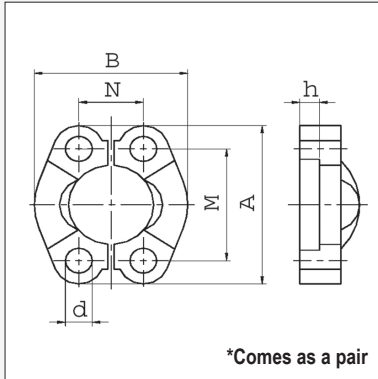
Pirtek reserve the right to change technical specifications without notice

FLANGE FITTINGS



AZ6 SERIES

CODE 62 SPLIT FLANGE (6,000 PSI)



Product Code	Flange Size	Maximum W.P. bar	Dimensions mm						Bolt Size	
			A	B	M	N	h	d	Metric	UNC
AZ6-08	1/2"	414	56.3	49.2	40.5	18.2	7.2	9	M8 x 30	5/16" - 18
AZ6-12	3/4"	414	71.4	61.8	50.8	23.8	8.3	11	M10 x 35	3/8" - 16
AZ6-16	1"	414	81	71.4	57.2	27.8	9	13	M12 x 45	7/16" - 14
AZ6-20	1.1/4"	414	95.3	79.2	66.6	31.8	9.8	15	M12 x 45	1/2" - 13
AZ6-24	1.1/2"	414	112.8	96.8	79.3	36.6	12	17	M16 x 55	5/8" - 11
AZ6-32	2"	414	133.4	115.6	96.8	44.4	12	21	M20 x 70	3/4" - 10

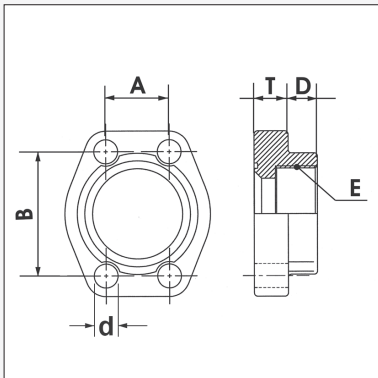
AZLT SERIES

Letourneau SPLIT FLANGE

Product Code	Flange Size	Dimensions mm						Bolt Size	
		A	B	M	N	h	d	Metric	UNC
AZLT-24	1.1/2"	94	82.2	69.8	35.7	10	13.3	M12	7/16"

BFS SERIES

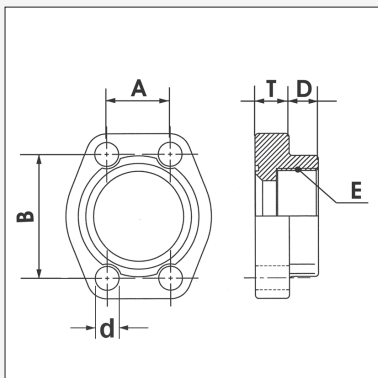
CODE 61 BSPP THREADED FLANGE (3,000 PSI)



Product Code	Nominal Flange Size	Thread'E' BSPP	Maximum W.P. bar	Dimensions mm					Bolt Size	
				A	B	d	T	D	Metric	UNC
BFS-08	1/2"	1/2" - 14	345	17.48	38.1	9	16	20	M8 x 25	5/16" - 18
BFS-12	3/4"	3/4" - 14	345	22.23	47.63	11	18	18	M10 x 30	3/8" - 16
BFS-16	1"	1" - 11	345	26.19	52.37	11	18	20	M10 x 30	3/8" - 16
BFS-20	1.1/4"	1.1/4" - 11	276	30.18	58.72	12	21	20	M10 x 30	7/16" - 14
BFS-24	1.1/2"	1.1/2" - 11	207	35.71	69.85	13.5	25	20	M12 x 35	1/2" - 13
BFS-32	2"	2" - 11	207	42.88	77.77	13.5	25	20	M12 x 35	1/2" - 13

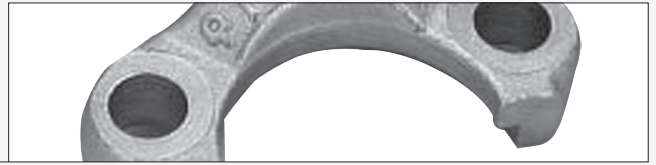
BFH SERIES

CODE 62 BSPP THREADED FLANGE (6,000 PSI)

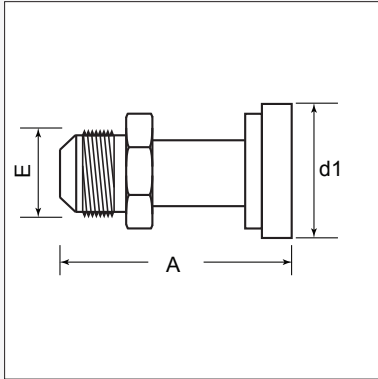


Product Code	Nominal Flange Size	Thread'E' BSPP	Maximum W.P. bar	Dimensions mm					Bolt Size	
				A	B	d	T	D	Metric	UNC
BFH-12	3/4"	3/4" - 14	414	23.80	50.80	11	21	14	M10 - 35	3/8" - 16
BFH-16	1"	1" - 11	414	27.76	57.15	13	25	17	M12 - 45	7/16" - 14
BFH-20	1.1/4"	1.1/4" - 11	414	31.75	66.68	15	27	18	M12 - 45	1/2" - 13
BFH-24	1.1/2"	1.1/2" - 11	414	36.50	79.38	17	30	20	M16 - 55	5/8" - 11
BFH-32	2"	2" - 11	414	44.45	96.82	21	37	28	M20 - 70	3/4" - 10

FLANGE FITTINGS

**C611JM** SERIES

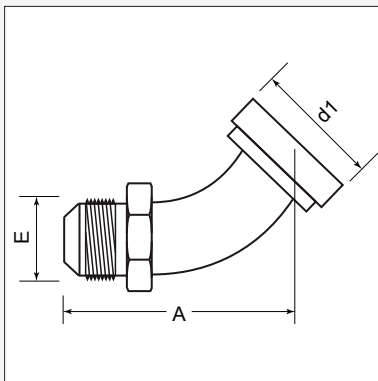
CODE 61 FLANGE x JIC MALE STRAIGHT ADAPTOR



Product Code	Flange Size	JIC Thread E	Dimensions mm						
			A	d1					
C611JM-1217	3/4"	1.1/16" - 12	70.0	38.1					
C611JM-1617	1"	1.1/16" - 12	71.7	44.5					
C611JM-1621	1"	1.5/16" - 12	71.7	44.5					
C611JM-2021	1.1/4"	1.5/16" - 12	72.0	50.8					
C611JM-2026	1.1/4"	1.5/8" - 12	71.0	50.8					

C614JM SERIES

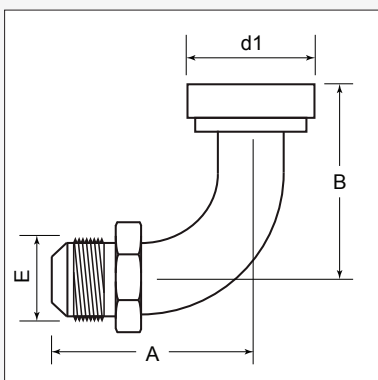
CODE 61 FLANGE x JIC MALE 45° ADAPTOR



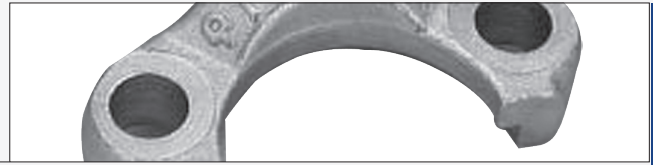
Product Code	Flange Size	JIC Thread E	Dimensions mm						
			A	d1					
C614JM-1217	3/4"	1.1/16" - 12	76.7	38.1					
C614JM-1617	1"	1.1/16" - 12	76.8	44.5					
C614JM-1621	1"	1.5/16" - 12	90.2	44.5					
C614JM-2021	1.1/4"	1.5/16" - 12	91.5	50.8					
C614JM-2026	1.1/4"	1.5/8" - 12	105.8	50.8					
C614JM-2430	1.1/2"	1.7/8" - 12	125.4	60.4					

C619JM SERIES

CODE 61 FLANGE x JIC MALE 90° ADAPTOR

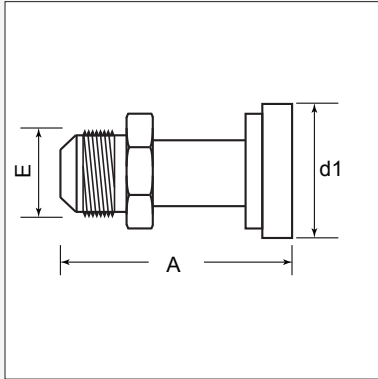


Product Code	Flange Size	JIC Thread E	Dimensions mm						
			A	d1	B				
C619JM-1217	3/4"	1.1/16" - 12	76.4	38.1	47.7				
C619JM-1617	1"	1.1/16" - 12	72.1	44.5	47.5				
C619JM-1621	1"	1.5/16" - 12	80.5	44.5	61.9				
C619JM-2021	1.1/4"	1.5/16" - 12	86.7	50.8	64.8				
C619JM-2026	1.1/4"	1.5/8" - 12	97.5	50.8	70.3				
C619JM-2421	1.1/2"	1.5/16" - 12	89.4	60.4	65.9				



C621JM SERIES

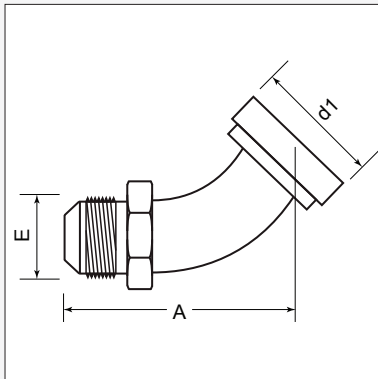
CODE 62 FLANGE x JIC MALE STRAIGHT ADAPTOR



Product Code	Flange Size	JICThread E	Dimensions mm	
			A	d1
C621JM-1217	3/4"	1.1/16" - 12	69.6	41.4
C621JM-1617	1"	1.1/16" - 12	71.7	47.8
C621JM-1621	1"	1.5/16" - 12	72.0	47.8
C621JM-2021	1.1/4"	1.5/16" - 12	78.2	54.1
C621JM-2026	1.1/4"	1.5/8" - 12	77.1	54.1

C624JM SERIES

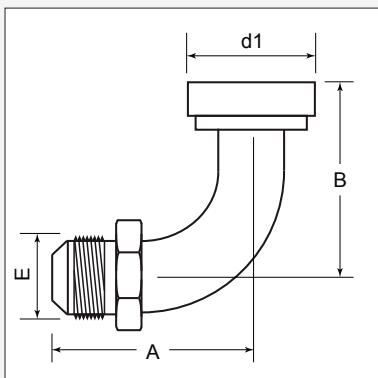
CODE 62 FLANGE x JIC MALE 45° ADAPTOR



Product Code	Flange Size	JICThread E	Dimensions mm	
			A	d1
C624JM-1217	3/4"	1.1/16" - 12	76.3	41.4
C624JM-1617	1"	1.1/16" - 12	75.6	47.8
C624JM-1621	1"	1.5/16" - 12	83.8	47.8
C624JM-2021	1.1/4"	1.5/16" - 12	93.0	54.1
C624JM-2026	1.1/4"	1.5/8" - 12	117.3	63.5

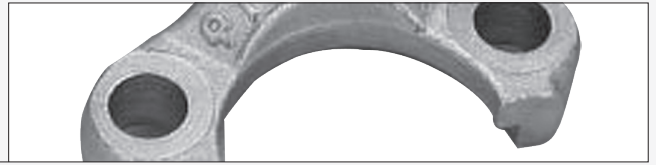
C629JM SERIES

CODE 62 FLANGE x JIC MALE 90° ADAPTOR

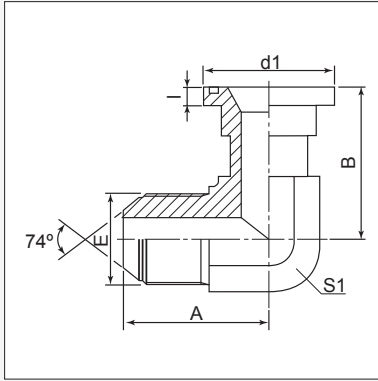


Product Code	Flange Size	JICThread E	Dimensions mm		
			A	d1	B
C629JM-1212	3/4"	3/4" - 16	52.9	41.4	49.4
C629JM-1217	3/4"	1.1/16" - 12	67.5	41.4	54.2
C629JM-1221	3/4"	1.5/16" - 12	84.3	41.4	64.2
C629JM-1617	1"	1.1/16" - 12	71.6	47.8	60.1
C629JM-1621	1"	1.5/16" - 12	82.0	47.8	70.0
C629JM-2021	1.1/4"	1.5/16" - 12	84.2	54.1	71.9
C629JM-2026	1.1/4"	1.5/8" - 12	101.0	54.1	88.0
C629JM-2430	1.1/2"	1.7/8"-12	116	63.5	109

FLANGE FITTINGS

**C62JM9** SERIES

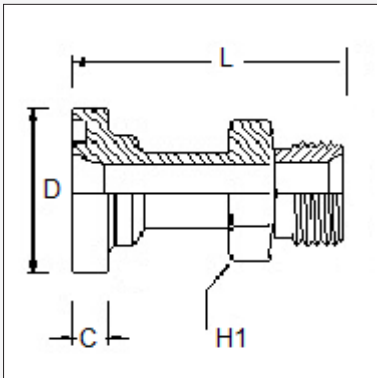
CODE 62 FLANGE x JIC MALE 90° FORGED BODY



Product Code	Flange Size	JIC Thread	Dimensions mm						W.P. bar
			A	B	I	d1	S1		
C62JM9-1621	1"	1.5/16" - 12	49	60.2	9.53	47.6	33		414

C621PM SERIES

CODE 62 FLANGE x BSPP MALE STRAIGHT ADAPTOR

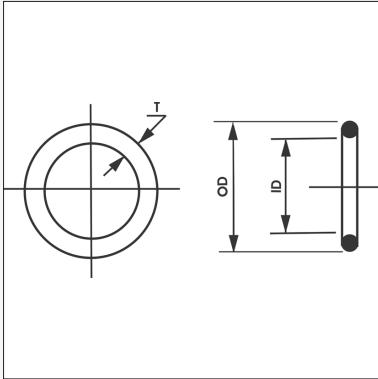


Product Code	Flange Size	BSPP Thread	Dimensions mm			
			C	D	L	H1
C621PM - 3224	2"	1.1/2" - 11	12.6	79.4	95	69

BO SERIES

O-RINGS TO SUIT BF1HD HOSE TAILS

Material: 90 Durometer Buna N Temperature Range: -34°C to +120°C



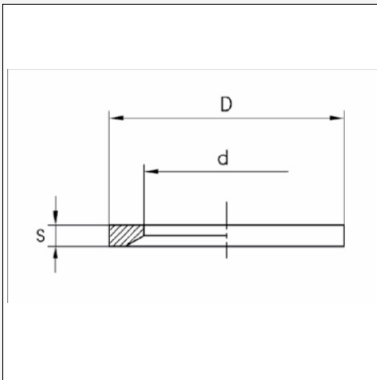
Product Code	Dash Size	SuitBF1HD	Dimensions mm		
			OD	ID	T
BO-12	12	BF1HD-1212J	19.9	16.7	1.6
BO-16	16	BF1HD-1616J	25.3	22.1	1.6
BO-20	20	BF1HD-2020J	32.3	29.1	1.6

ELASTOMER SEAL DIN 3869

SUITS BSP PARALLEL & METRIC PARALLEL ENCAPSULATED THREADS

ED = NBR 85 DuroA Temperature range: -30°C to 100°C

ED-V = Viton®(FKM) 80 DuroA Temperature range: -20°C to 200°C

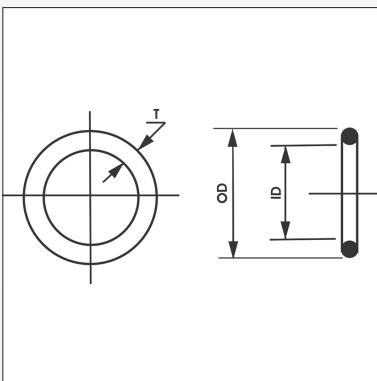


Product Code		Interchange	Dimensions (mm)				
NBR	Viton®		Metric	BSP	D	d	s
ED-02/10M		*	10X1	1/8	11.9	8.4	1
ED-04/14M	ED-V-04/14M	*	14X1.5	1/4	16.5	11.6	1.5
ED-06	ED-V-06			3/8	18.9	14.7	1.5
ED-08	ED-V-08			1/2	23.9	18.5	1.5
ED-08M			8X1		9.9	6.5	1
ED-12/26M/27M	ED-V-12/26M/27M	*	26X1.5 - 27X2	3/4	29.2	23.9	1.5
ED-12M			12X1.5		14.4	9.8	1.5
ED-16/33M	ED-V-16/33M	*	33X2	1	35.7	29.7	2
ED-16M			16X1.5		18.9	13.8	1.5
ED-18M			18X1.5		20.9	15.7	1.5
ED-20/42M	ED-V-20/42M	*	42X2	1.1/4	45.8	38.8	2
ED-20M			20X1.5		22.9	17.8	1.5
ED-22M			22X1.5		24.3	19.6	1.5
ED-24/48M	ED-V-24/48M	*	48X2	1.1/2	50.7	44.7	2
ED-32				2	66.1	56.5	4

FF3030 SERIES

O-RINGS TO SUIT ORFS ADAPTORS

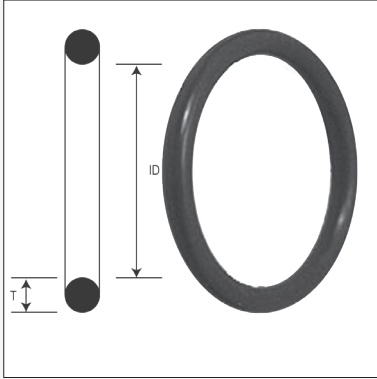
Material: 90 Durometer Buna N Temperature Range: -34°C to +120°C



Product Code	Dash Size	Suit ORFS	Dimensions mm		
			OD	ID	T
FF3030-11	04	9/16" - 18	11.20	7.65	1.78
FF3030-12	06	11/16" -16	12.80	9.25	1.78
FF3030-14	08	13/16" - 16	15.98	12.42	1.78
FF3030-16	10	1" - 14	19.16	15.60	1.78
FF3030-18	12	1.3/16" - 12	22.33	18.77	1.78
FF3030-21	16	1.7/16" - 12	27.08	23.52	1.78
FF3030-25	20	1.11/16" - 12	33.43	29.87	1.78
FF3030-29	24	2" - 12	41.38	37.82	1.78



O-RING DATA

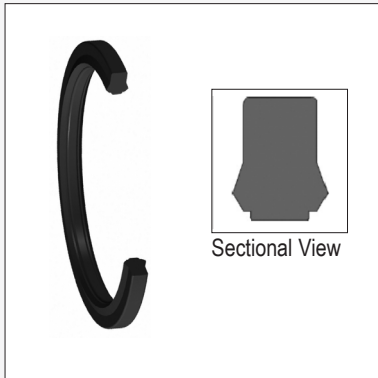


O-RING DETAILS FOR LIGHT & HEAVY METRIC HOSE TAILS - 70 DURO NBR					
PRODUCT CODE	METRIC SERIES	METRIC THREAD SIZE		TUBE O.D. (MM)	DIMENSIONS (MM) I.D. X THICKNESS (T)
		LIGHT SERIES	HEAVY SERIES		
DKOR-06L/S	DKL / DKS	M12X1.5	M14X1.5	6	4 X 1.5
DKOR-08L/S	DKL / DKS	M14X1.5	M16X1.5	8	6 X 1.5
DKOR-10L/S	DKL / DKS	M16X1.5	M18X1.5	10	7.5 X 1.5
DKOR-12L/S	DKL / DKS	M18X1.5	M20X1.5	12	9 X 1.5
DKOR-14S	DKS	-	M22X1.5	14	10 X 2
DKOR-15L/16S	DKL / DKS	M22X1.5	M24X1.5	15 /16	12 X 2
DKOR-18L	DKL	M26X1.5	-	18	15 X 2
DKOR-20S	DKS	-	M30X2	20	16.3 X 2.4
DKOR-22L	DKL	M30X2	-	22	20 X 2
DKOR-25S	DKS	-	M36X2	25	20.3 X 2.4
DKOR-28L	DKL	M36X2	-	28	26 X 2
DKOR-30S	DKS	-	M42X2	30	25.3 X 2.4
DKOR-35L	DKL	M45X2	-	35	32 X 2.5
DKOR-38S	DKS	-	M52X2	38	33.3 X 2.4
DKOR-42L	DKL	M52X2	-	42	38 X 2.5

OKS SERIES

HIGH PERFORMANCE SEALS TO SUIT SAE FLANGE FITTINGS

Material: Blue 93 Duro Polyester Polyurethane (AU) Temperature range -30°C to 100°C



Product Code	Dash Size	Dimensions mm			
		OD	ID	T	
OKS-12	12	31.75	23.37	3.50	
OKS-16	16	39.62	31.24	3.50	
OKS-20	20	44.45	36.07	3.50	
OKS-24	24	53.98	45.34	3.50	
OKS-32	32	63.5	54.86	3.50	

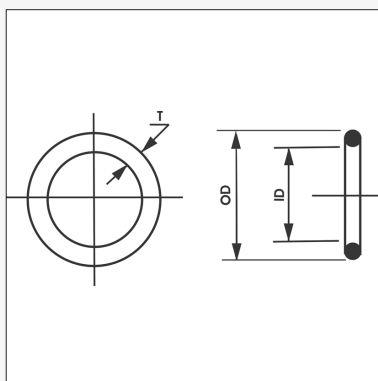
FEATURES:

- A general purpose compound suitable for applications requiring resistance to high temperatures and compression set
- Recommended for use in SAE flanges (especially Code 62) where elevated temperatures and arduous conditions are expected
- Special square section profile prevents seal 'pumping' to provide reliable flange sealing
- Outstanding resistance to blended aromatic fuels and straight aromatics as well as halogenated hydrocarbons
- 600 bar maximum working pressure
- Good resistance to strong acids and steam

KY SERIES

O-RINGS TO SUIT KOMATSU® FLANGES

Material: 90 Durometer Buna N **Temperature Range:** -34°C to +120°C



Product Code	Dash Size	BSNumber	Dimensions mm		
			OD	ID	T
KY-08	1/2"	HNBR-90	20.80	2.40	
KY-10 †	5/8"	HNBR-90	21.70	3.50	
KY-12	3/4"	HNBR-90	24.70	3.50	
KY-16	1"	HNBR-90	31.70	3.50	
KY-20	1.1/4"	HNBR-90	37.70	3.50	
KY-24	1.1/2"	HNBR-90	47.70	3.50	
KY-32	2"	HNBR-90	59.40	3.10	

IMPORTANT NOTE:

These O-Rings incorporate metric dimensions and are specifically for use in conjunction with Komatsu® flanges only (ie K Prefix Pirtek Flanges).

The SAE Standard is not applicable.

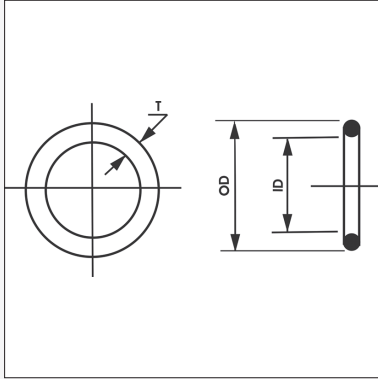
DO NOT use these O-Rings in conjunction with SAE Standard flanges.



X SERIES

O-RINGS TO SUIT UN'O' RING ADAPTORS

Material: 90 Durometer Buna N **Temperature Range:** -34°C to +120°C



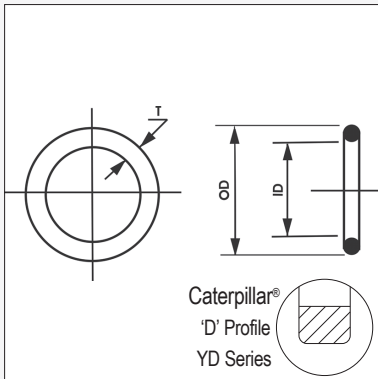
Product Code	Dash Size	BSNumber	Dimensions mm				
			OD	ID	T		
X-07	7/16" - 20	BS904	12.57	8.92	1.83		
X-08	1/2" - 20	BS905	14.18	10.52	1.83		
X-09	9/16" - 18	BS906	15.85	11.89	1.98		
X-10	5/8" - 18	BS907	17.46	13.46	2.08		
X-12	3/4" - 16	BS908	20.78	16.36	2.21		
X-14	7/8" - 14	BS910	24.10	19.18	2.46		
X-17	1.1/16" - 12	BS912	29.37	23.47	2.95		
X-19	1.3/16" - 12	BS914	32.51	26.61	2.95		
X-21	1.5/16" - 12	BS916	35.64	29.74	2.95		
X-26	1.5/8" - 12	BS920	43.47	37.47	3.00		
X-30	1.7/8" - 12	BS924	49.69	43.69	3.00		
X-40	2.1/2" - 12	BS932	65.36	59.36	3.00		

Y / YD* SERIES

O-RINGS TO SUIT SAE FLANGE FITTINGS

*YD SERIES O-RINGS ARE FOR GENUINE CATERPILLAR® XT FITTINGS ONLY

Material: 90 Durometer Buna N **Temperature Range:** -34°C to +120°C



For arduous conditions, please consider the use of OKS O-Rings as an alternative

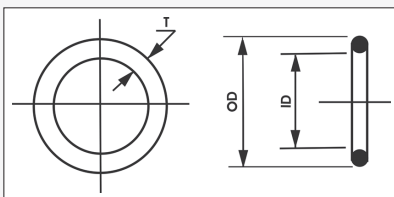
Product Code	Dash Size	BS	Dimensions mm				
			OD	ID	T		
Y-08	1/2"	210	25.7	18.64	3.53		
Y-10 †	5/8"		29.0	21.82	3.57		
Y-12	3/4"	214	32.05	24.99	3.53		
Y-16	1"	219	39.98	32.92	3.53		
Y-20	1.1/4"	222	44.75	37.69	3.53		
Y-24	1.1/2"	225	54.28	47.22	3.53		
Y-32	2"	228	63.8	56.74	3.53		
Y-40	2.1/2"	232	76.5	69.44	3.53		
Y-48	3"	237	92.38	85.32	3.53		
Y-56	3.1/2"	241	105.08	98.02	3.53		
Y-64	4"	245	117.7	110.7	3.53		
'D' PROFILE O-RINGS - CATERPILLAR® SPECIFICATION							
YD-12	3/4"			25.4	5		
YD-16	1"			31.9	5		
YD-20	1.1/4"			38.2	5		
YD-24	1.1/2"			44.7	5		
YD-32	2"			63.9	5		

† SAE Standard not applicable on this size (Komatsu specific) See KY-10 for stock and for ordering.

YEH SERIES

2" O-RINGS TO SUIT EXTRA HEAVY HOSE TAILS

Material: 70 Durometer EPDM **Temperature Range:** -40°C to +100°C



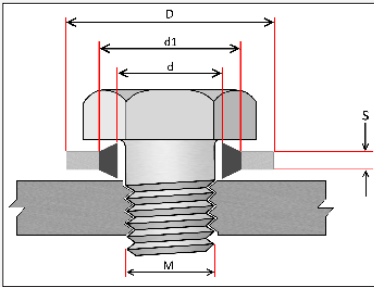
Product Code	Dash Size	BSNumber	Dimensions mm				
			OD	ID	T		
YEH-32	2"	-	49.36	44.12	2.62		

IMPORTANT NOTE:

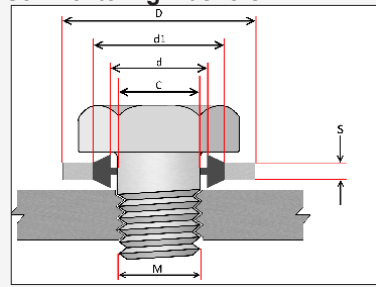
These O-Rings are not used as a flange seal, but to provide a hydraulic seal between the hose tail and hose inner liner when using 2" extra heavy interlock series hose tails. 2 O-Rings are needed for each tail.

BONDED / DOWTY WASHERS

Standard Washers



Self Centering Washers



Q SERIES - METRIC

"Product Code"	"Thread Size (M)"	"BS Number"	Dimensions (mm)			
			D	d1	d	S
Q-10	M10	217	16	12.4	10.7	1.5
Q-12	M12	222	18	14.4	12.7	1.5
Q-14	M14	227	22	16.4	14.7	1.5
Q-16	M16	229	24	18.4	16.7	1.5
Q-18	M18	232	26	20.4	18.7	1.5
Q-20	M20	233	28	22.5	20.7	1.5
Q-22	M22	236	30	24.4	22.7	2
Q-26	M26	239	35	26.7	28.4	2
Q-27	M27	240	36	29	27.2	2
Q-30	M30	242	39	33	31	2
Q-33	M33	243	42	35.8	33.7	2
Q-42	M42	247	53	44.4	42.7	3
Q-48	M48	248	59	50.8	48.7	3

"Product Code"	"Thread Size (M)"	"BS Number"	Dimensions (mm)				
			D	d1	d	S	C
QC-10	M10	217	16	12.4	10.7	1.5	8.1
QC-12	M12	222	18	14.4	12.7	1.5	9.7
QC-14	M14	227	22	16.4	14.7	1.5	11.38
QC-16	M16	229	24	18.4	16.7	1.5	13.41
QC-18	M18	232	26	20.4	18.7	1.5	14.76
QC-20	M20	233	28	22.5	20.7	1.5	16.76
QC-22	M22	236	30	24.4	22.7	2	18.74
QC-26	M26	239	35	26.7	28.4	2	22.3
QC-27	M27	240	36	29	27.2	2	23.3
QC-30	M30	242	39	33	31	2	25.7
QC-33	M33	243	42	35.8	33.7	2	28.7
QC-42	M42	247	53	44.4	42.7	3	36.5
QC-48	M48	248	59	50.8	48.7	3	

Z SERIES - BSPP Mild Steel & Stainless Steel

MILD STEEL ZINC PLATED

"Product Code"	"Thread Size (M)"	"BS Number"	Dimensions (mm)			
			D	d1	d	S
Z-02	1/8" - 28	020	15.88	11.84	10.37	2
Z-04	1/4" - 19	021	20.57	15.21	13.74	2
Z-06	3/8" - 19	023	23.8	18.75	17.28	2
Z-08	1/2" - 14	025	28.58	23.01	21.54	2.34
Z-10	5/8" - 14	026	31.75	24.97	23.49	2.34
Z-12	3/4" - 14	027	34.93	28.53	27.05	2.34
Z-16	1" - 11	030	42.8	36.88	33.89	3.25
Z-20	1.1/4" - 11	032	52.38	45.93	42.93	3.25
Z-24	1.1/2" - 11	033	58.6	51.39	48.44	3.25
Z-32	2" - 11	036	73.03	63.63	60.58	3.25
Z-40	2.1/2" - 11	039	90.17	79.38	76.08	3.25

"Product Code"	"Thread Size (M)"	"BS Number"	Dimensions (mm)				
			D	d1	d	S	C
ZC-02	1/8" - 28	020	15.88	11.84	10.37	2	8.3
ZC-04	1/4" - 19	021	20.57	15.21	13.74	2	11.2
ZC-06	3/8" - 19	023	23.8	18.75	17.28	2	14.76
ZC-08	1/2" - 14	025	28.58	23.01	21.54	2.34	18.24
ZC-10	5/8" - 14	026	31.75	24.97	23.49	2.34	20.27
ZC-12	3/4" - 14	027	34.93	28.53	27.05	2.34	23.83
ZC-16	1" - 11	030	42.8	36.88	33.89	3.25	29.92
ZC-20	1.1/4" - 11	032	52.38	45.93	42.93	3.25	38.45
ZC-24	1.1/2" - 11	033	58.6	51.39	48.44	3.25	44.45
ZC-32	2" - 11	036	73.03	63.63	60.58	3.25	56.26
ZC-40	2.1/2" - 11	039	90.17	79.38	76.08	3.25	71.5

304 STAINLESS STEEL

SSZ-04	1/4" - 19	021	20.57	15.21	13.74	2
SSZ-06	3/8" - 19	023	23.8	18.75	17.28	2
SSZ-08	1/2" - 14	025	28.58	23.01	21.54	2.34
SSZ-12	3/4" - 14	027	34.93	28.53	27.05	2.34
SSZ-16	1" - 11	030	42.8	36.88	33.89	3.25

SSZC-04	1/4" - 19	021	20.57	15.21	13.74	2	11.2
SSZC-06	3/8" - 19	023	23.8	18.75	17.28	2	14.76
SSZC-08	1/2" - 14	025	28.58	23.01	21.54	2.34	18.24
SSZC-12	3/4" - 14	027	34.93	28.53	27.05	2.34	23.83
SSZC-16	1" - 11	030	42.8	36.88	33.89	3.25	29.92

Bonded Dowty Washers

Two versions: Mild steel zinc plated and 304 Stainless Steel

Steel BS1449 Part 1: 1983 CS4 BRH 5

Tensile strength of steel 540 MN/m² min.

Zinc plated to DEF STAN 03-20/1

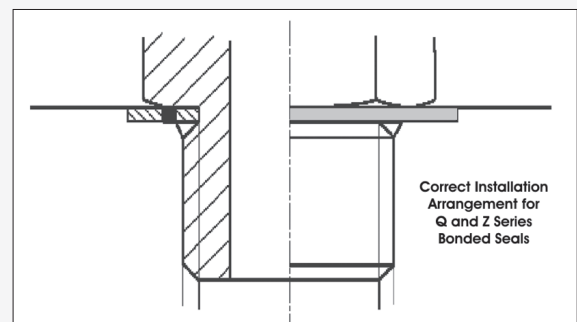
Colour passivated to DEF 03-33

Rubber: NBR nitrile

A rectangular section, metal washer, with a trapezoidal shaped ring of vulcanised nitrile rubber bonded to the inside.

The seal is for use in high pressure environments where copper washers are unsuitable.

Sometimes equipped with a thin additional membrane to assist in self centralising the seal over the BSPP thread during installation.



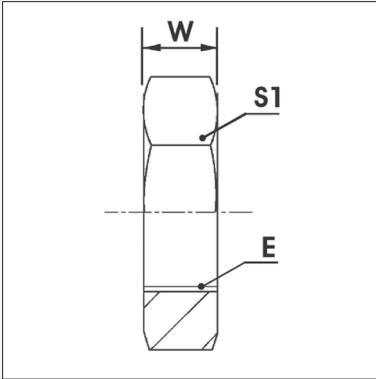
Correct Installation Arrangement for Q and Z Series Bonded Seals

ACCESSORIES



FF1332 SERIES

LOCK NUT FOR ORFS ADAPTORS

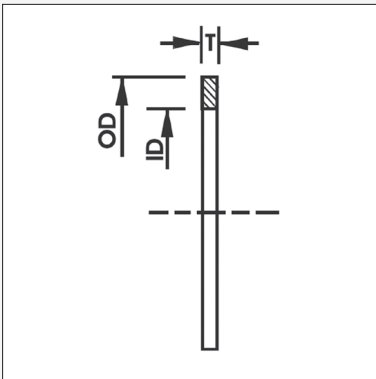


Product Code	Dash Size	ORFS Thread	Dimensions mm			
			OD	ID	T	
FF1332-04	04	9/16" - 18				
FF1332-06	06	11/16" - 16				
FF1332-08	08	13/16" - 16				
FF1332-10	10	1" - 14				
FF1332-12	12	1.3/16" - 12				
FF1332-16	16	1.7/16" - 12				
FF1332-20	20	1.11/16" - 12				
FF1332-24	24	2" - 12				

CW SERIES

'SUPERCAT' FLANGE WASHER

Spacer Ring to allow use of Code 62 flanges where a 14.2 mm thick flange is required



Product Code	Dash Size	BSNumber	Dimensions mm			
			OD	ID	T	
CW-12	12		41.3		5.4	
CW-16	16		47.6		4.7	
CW-20	20		54.0		3.9	
CW-24 †	24		63.5		1.6	
CW-32	32		79.4		1.6	

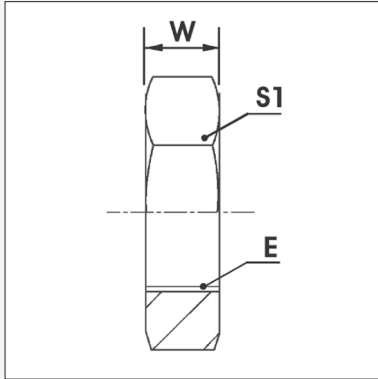
† Some minor filing may be needed to achieve a sliding fit over Code 62 flanges in this size

This adaptor is provided only for emergency use in conjunction with Pirtek 'I' Series Interlock hose tails. Always use Pirtek Supercat flanges as a first preference

LNB SERIES

LOCKING NUT BSPP

Suits adjustable elbows and Bulkheads using a BSPP thread

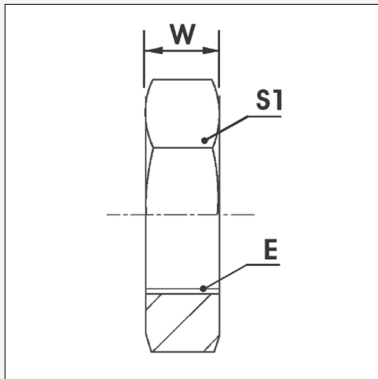


Product Code	Dash Size	Suits BSPP Thread	Dimensions mm		
			W	S1	E
LNB-02	02	1/8" - 28			
LNB-04	04	1/4" - 19			
LNB-06	06	3/8" - 19			
LNB-08	08	1/2" - 14			
LNB-12	12	3/4" - 14			
LNB-16	16	1" - 11			

LNJ SERIES

LOCKING NUT JIC

Suits adjustable elbows and Bulkheads using a JIC / UNO thread



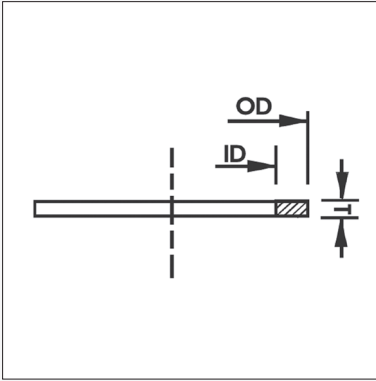
Product Code	Dash Size	Suits JIC Thread	Dimensions mm		
			W	S1	E
LNJ-07	07	7/16" - 28			
LNJ-09	09	9/16" - 18			
LNJ-12	12	3/4" - 16			
LNJ-14	14	7/8" - 14			
LNJ-17	17	1.1/16" - 12			
LNJ-21	21	1.5/16" - 12			

ACCESSORIES

**RRB** SERIES

RETAINING RING BSPP - STEEL

Suits adjustable elbows using a BSPP adjustable thread

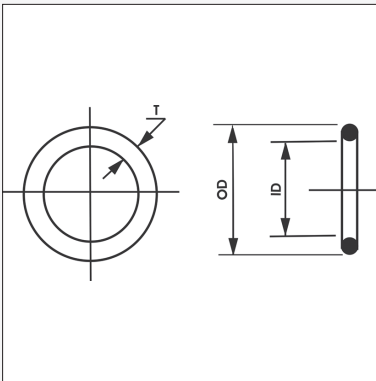


Product Code	Dash Size	Suits BSPP Thread	Dimensions mm			
			OD	ID	T	
RRB-02	02	1/8" - 28	15.0	12.0	1.4	
RRB-04	04	1/4" - 19	19.5	15.8	1.9	
RRB-06	06	3/8" - 19	23.5	19.4	1.9	
RRB-08	08	1/2" - 14	28.5	23.0	1.9	
RRB-12	12	3/4" - 14	34.5	28.5	1.9	
RRB-16	16	1" - 11	43.5	36.4	2.6	
RRB-20	20	1.1/4" - 11	52.5	45.2	2.6	
RRB-24	24	1.1/2" - 11	60.0	50.7	2.6	

RROB SERIES

O-RING TO SUIT BSPP

Suits adjustable elbows using a BSPP adjustable thread - NBR - 90 Duro



Product Code	Dash Size	Suits BSPP Size	BSNumber	Dimensions mm		
				OD	ID	T
RROB-02	02	1/8" - 28	BS011	11.21	7.65	1.78
RROB-04	04	1/4" - 19	BS111	16.00	10.77	2.62
RROB-06	06	3/8" - 19	BS113	19.19	13.95	2.62
RROB-08	08	1/2" - 14	BS115	22.36	17.142	2.62
RROB-12	12	3/4" - 14	BS119	28.71	23.47	2.62
RROB-16	16	1" - 11	BS217	36.80	29.74	3.53
RROB-20	20	1.1/4" - 11	BS222	44.75	37.69	3.53
RROB-24	24	1.1/2" - 11	BS224	51.15	44.09	3.53

ALPHANUMERIC INDEX

ProductCode	Page #	ProductCode	Page #	ProductCode	Page #	ProductCode	Page #	ProductCode	Page #
45°ELBOWS	D 48	BAS	D 64	CJPN	D 52	F	D 6	KF	D 14
90°ELBOWS	D 31	BB	D 63	CKA/CKB	D 52	FF1201	D 15	KFA	D 47
A	D 3	BBJM	D 63	CLA	D 36	FF1202	D 16	KJA	D 54
AA	D 78	BC	D 57	CLAN	D 37	FF1204	D 16	KKA	D 54
AAB	D 72	BD	D 58	CLF	D 37	FF1206	D 53	KMA	D 29
AABN	D 72	BF	D 58	CLJ	D 37	FF1208	D 44	KP	D 14
AABP	D 72	BFH	D 87	CLJN	D 38	FF1220	D 27	KU	D 67
AAM	D 73	BFS	D 87	CLP	D 38	FF1221	D 28	KVA	D 47
AAMG/AAMN	D 73	BG	D 55	CLPN	D 38	FF1227	D 29	KW	D 70
AAMP	D 74	BH	D 55	CMA	D 21	FF1229	D 30	KY	D 93
AAP	D 75	BJ	D 56	CMAI	D 21	FF1231	D 17	KYA	D 30
AAU	D 75	BM / BP	D 56	CROSSES	D 18	FF1234	D 44	L	D 9
AB	D 78	BO	D 91	CSA	D 39	FF1236	D 44	LNB / LNJ	D 97
ABN	D 78	C	D 4	CTA	D 22	FF1238	D 45	M	D 10
ADAPTFIXED	D 71	C611JMetc	D 88	CTAN	D 22	FF1239	D 45	OKS	D 93
ADAPTUNION	D 71	CAA	D 32	CTP	D 22	FF1240	D 53	P	D 11
AF3	D 85	CAB	D 32	CVA	D 39	FF1248	D 29	PLUGS	D 62
AF6	D 85	CABI	D 32	CVAN	D 40	FF1254	D 68	PS	D 15
AH	D 12	CAH	D 33	CVANE (/L)	D 41	FF1260LN	D 17	Q	D 95
AM	D 12	CAL	D 64	CVD	D 41	FF1262LN	D 46	R	D 11
AN / ANHD	D 13	CAS	D 64	CVDN	D 42	FF1265	D 28	RED.BUSHES	D 70
ANN	D 76	CBA	D 19	CVDPCVDPA	D 42	FF1266	D 28	RI	D 81
ANU	D 76	CBB	D 19	CVE	D 42	FF1291	D 46	RRB/RROB	D 98
AP	D 65	CBBI	D 19	CVF	D 43	FF1311	D 65	SEALS	D 84
AQ	D 77	CBH	D 20	CVJ / CVJN	D 43	FF1319	D 69	SOCKETS	D 70
AR	D 77	CBJ	D 20	CW	D 96	FF1332	D 96	STRAIGHT	D 02
AS	D 65	CBJN	D 21	CXA	D 21	FF3018	D 64	TEES	D 18
AT	D 65	CBM	D 21	CYA	D 23	FF3020	D 58	TUBEFITTINGS	D 61
ATH	D 66	CEA	D 33	D	D 5	FF3021	D 59	TUBEWELD	D 48
AU	D 66	CED	D 35	DKOR	D 92	FF3030	D 87	V / VHD	D 83
AUU	D 76	CEJ	D 36	ED	D 91	FF3031	D 58	W	D 82
AV	D 67	CEPN	D 35	EPD/EPDP	D 23	FF3032	D 59	W_U	D 82
AVH	D 68	CFA	D 36	EPF	D 23	FLANGE	D 81	W (P)	D 82
AW	D 69	CFAE	D 37	EPFFM	D 24	H	D 7	X	D 94
AX	D 69	CFJ	D 37	EPFLF	D 24	HN	D 7	Y/YD/YEH	D 94
AX3	D 86	CGB	D 49	EPJ	D 24	J	D 8	Z / SSZ	D 95
AX6	D 86	CJA	D 49	EPK	D 25	K	D 9		
AZ3	D 86	CJAN	D 50	EPKCL	D 25	KA	D 13		
AZ6	D 87	CJD	D 50	EPKLLK	D 25	KAB	D 45		
B	D 3	CJDN	D 51	EPP	D 26	KB/KN/KS	D 14		
BAN	D 63	CJJ	D 51	EPS	D 26	KEA	D 47		