






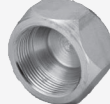









| | | SECTION INDEX | |
|-----------|---------------------|--|-------------|
| | | PAGE | |
| 1 | STRAIGHT CONNECTORS |  | D 2 |
| 2 | TEES / CROSSES |  | D 18 |
| 3 | 90° ELBOWS |  | D 31 |
| 4 | 45° ELBOWS |  | D 48 |
| 5 | TUBE WELD |  | D 48 |
| 6 | TUBE FITTINGS |  | D 62 |
| 7 | PLUGS |  | D 62 |
| 8 | CAPS |  | D 62 |
| 9 | ADAPTOR UNIONS |  | D 71 |
| 10 | ADAPTORS FIXED |  | D 71 |
| 11 | REDUCING BUSHES |  | D 71 |
| 12 | SOCKETS |  | D 71 |
| 13 | FLANGE FITTINGS |  | D 84 |
| 14 | SEALS & ACCESSORIES |  | D 84 |
| 15 | ALPHANUMERIC INDEX |  | D 99 |



SECTION 1 STRAIGHT CONNECTORS

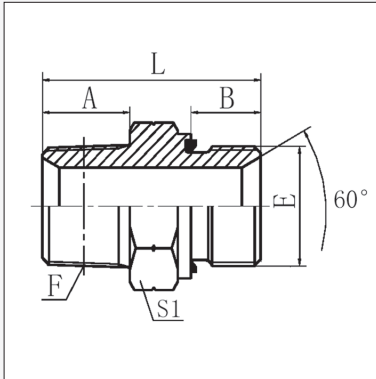
PAGE

| | | | |
|------------------|-------------------------|-------|-------------|
| A | BSPP x BSPT | M / M | D 3 |
| B | BSPP BULKHEAD | M / M | D 3 |
| C | BSPP x JIC | M / M | D 4 |
| AHN | BSPP x NPT | M / M | D 4 |
| D | BSPT x BSPT | M / M | D 5 |
| DN | BSPT x NPT | M / M | D 5 |
| F | BSPT x JIC | M / M | D 6 |
| H | UN`O` x BSPT | M / M | D 7 |
| HN | UN`O` x NPTF | M / M | D 7 |
| J | UN`O` x JIC | M / M | D 8 |
| K | UN`O` x JIC EXT. | M / M | D 9 |
| L | METRIC x JIC | M / M | D 9 |
| M | NPTF x JIC | M / M | D 10 |
| P | JIC x JIC | M / M | D 11 |
| R | JIC BULKHEAD | M / M | D 11 |
| AH | BSPP x BSPP | M / M | D 12 |
| AM | BSPP x JIS BSPP | M / M | D 12 |
| AN / ANHD | NPTF x NPTF | M / M | D 13 |
| KA | JIS METRIC x BSPP | M / M | D 13 |
| KF | JIS METRIC x BSPT | M / M | D 14 |
| KP | JIS METRIC x JIS METRIC | M / M | D 14 |
| PS | SAE INVERTED x JIC | M / M | D 15 |
| FF1201 | ORFS x BSPP | M / M | D 15 |
| FF1202 | ORFS x NPTF | M / M | D 16 |
| FF1204 | ORFS x ORFS | M / M | D 16 |
| FF1231 | ORFS x UN`O` | M / M | D 17 |
| FF1260LN | ORFS BULKHEAD | M / M | D 17 |

STRAIGHT CONNECTORS

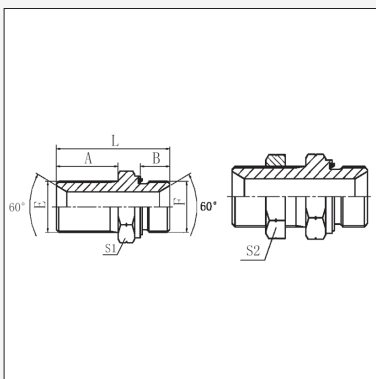


A SERIES BSPP MALE x BSPT MALE



| Product Code | Thread | | Dimensions mm | | | |
|--------------|-------------|-------------|---------------|-----|------|------|
| | E (BSPP) | F (BSPT) | A | B | L | S1 |
| A-02-02 | 1/8" - 28 | 1/8" - 28 | 10 | 7.8 | 24.6 | 13.8 |
| A-04-02 | 1/4" - 19 | 1/8" - 28 | 10 | 12 | 30 | 19 |
| A-04-04 | 1/4" - 19 | 1/4" - 19 | 14.5 | 12 | 34.5 | 19 |
| A-04-06 | 1/4" - 19 | 3/8" - 19 | 15 | 12 | 35 | 19 |
| A-04-08 | 1/4" - 19 | 1/2" - 14 | 20 | 12 | 42 | 22 |
| A-06-04 | 3/8" - 19 | 1/4" - 19 | 14.5 | 12 | 37 | 22 |
| A-06-06 | 3/8" - 19 | 3/8" - 19 | 15 | 12 | 37.5 | 22 |
| A-06-08 | 3/8" - 19 | 1/2" - 14 | 20 | 12 | 42.5 | 24 |
| A-06-12 | 3/8" - 19 | 3/4" - 14 | 20 | 12 | 44.5 | 30 |
| A-08-04 | 1/2" - 14 | 1/4" - 19 | 14.5 | 14 | 41.5 | 27 |
| A-08-06 | 1/2" - 14 | 3/8" - 19 | 15 | 14 | 42 | 27 |
| A-08-08 | 1/2" - 14 | 1/2" - 14 | 15 | 16 | 35 | 27 |
| A-08-12 | 1/2" - 14 | 3/4" - 14 | 20 | 14 | 47 | 30 |
| A-08-16 | 1/2" - 14 | 1" - 11 | 23 | 15 | 53 | 36 |
| A-12-06 | 3/4" - 14 | 3/8" - 19 | 15 | 16 | 45 | 32 |
| A-12-08 | 3/4" - 14 | 1/2" - 14 | 20 | 16 | 50 | 32 |
| A-12-12 | 3/4" - 14 | 3/4" - 14 | 20 | 16 | 50 | 32 |
| A-12-16 | 3/4" - 14 | 1" - 11 | 25.5 | 16 | 55.5 | 36 |
| A-16-08 | 1" - 11 | 1/2" - 14 | 20.5 | 18 | 54 | 41 |
| A-16-12 | 1" - 11 | 3/4" - 14 | 20.5 | 18 | 54 | 41 |
| A-16-16 | 1" - 11 | 1" - 11 | 25.5 | 18 | 59.5 | 41 |
| A-16-20 | 1" - 11 | 1.1/4" - 11 | 26.5 | 18 | 60.5 | 46 |
| A-20-12 | 1.1/4" - 11 | 3/4" - 14 | 27 | 15 | 59 | 46 |
| A-20-16 | 1.1/4" - 11 | 1" - 11 | | | | |
| A-20-20 | 1.1/4" - 11 | 1.1/4" - 11 | 26.5 | 20 | 64.5 | 50 |
| A-20-24 | 1.1/4" - 11 | 1.1/2" - 11 | | | | |
| A-24-20 | 1.1/2" - 11 | 1.1/4" - 11 | 26.5 | 22 | 66.5 | 55 |
| A-24-24 | 1.1/2" - 11 | 1.1/2" - 11 | | | | |
| A-32-32 | 2" - 11 | 2" - 11 | | | | |

B SERIES BSPP MALE BULKHEAD



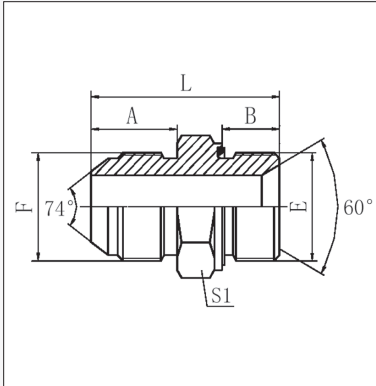
| Product Code | Thread | | Dimensions mm | | | | |
|--------------|-------------|-------------|---------------|----|------|----|----|
| | E (BSPP) | F (BSPP) | A | B | L | S1 | S2 |
| B-02-02 | 1/8"-28 | 1/8"-28 | 33 | 10 | 49 | 14 | 14 |
| B-04-04 | 1/4" - 19 | 1/4" - 19 | 35 | 12 | 55 | 19 | 19 |
| B-06-06 | 3/8" - 19 | 3/8" - 19 | 35 | 12 | 57.5 | 22 | 22 |
| B-08-08 | 1/2" - 14 | 1/2" - 14 | 39 | 14 | 66 | 27 | 27 |
| B-12-12 | 3/4" - 14 | 3/4" - 14 | 42 | 16 | 72 | 32 | 32 |
| B-16-16 | 1" - 11 | 1" - 11 | 50 | 18 | 84 | 41 | 41 |
| B-20-20 | 1.1/4" - 11 | 1.1/4" - 11 | 52 | 20 | 90 | 50 | 50 |
| B-24-24 | 1.1/2" - 11 | 1.1/2" - 11 | 56 | 22 | 96 | 55 | 55 |
| B-32-32 | 2" - 11 | 2" - 11 | | | | 70 | 70 |

STRAIGHT CONNECTORS



C SERIES

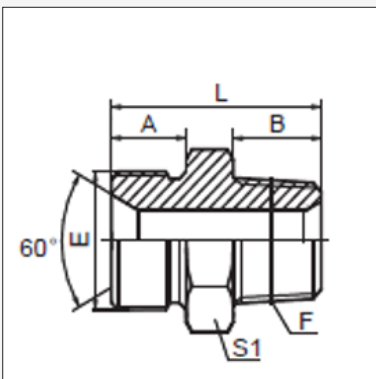
BSPP MALE x JIC MALE



| Product Code | Thread | | Dimensions mm | | | |
|--------------|-------------|--------------|---------------|----|------|----|
| | E (BSPP) | F (JIC) | A | B | L | S1 |
| C-02-07 | 1/8" - 28 | 7/16" - 20 | 14 | 8 | 29.5 | 14 |
| C-02-09 | 1/8" - 28 | 9/16" - 18 | 14.1 | 8 | 29.5 | 17 |
| C-04-07 | 1/4" - 19 | 7/16" - 20 | 14 | 12 | 34 | 19 |
| C-04-08 | 1/4" - 19 | 1/2"-14 | 14 | 12 | 34 | 19 |
| C-04-09 | 1/4" - 19 | 9/16" - 18 | 14.1 | 12 | 34 | 19 |
| C-04-12 | 1/4" - 19 | 3/4" - 16 | 16.7 | 12 | 37 | 22 |
| C-06-07 | 3/8" - 19 | 7/16" - 20 | 14 | 12 | 34.5 | 22 |
| C-06-09 | 3/8" - 19 | 9/16" - 18 | 14.1 | 12 | 34.5 | 22 |
| C-06-12 | 3/8" - 19 | 3/4" - 16 | 16.7 | 12 | 37.5 | 22 |
| C-06-12-070 | 3/8"-19 | 3/4"-16 | 16.7 | 12 | 70 | 22 |
| C-06-12-095 | 3/8"-19 | 3/4"-16 | 16.7 | 12 | 95 | 22 |
| C-06-14 | 3/8" - 19 | 7/8" - 14 | 19.3 | 12 | 41.5 | 24 |
| C-06-17 | 3/8" - 19 | 1.1/16" - 12 | 21.9 | 12 | 46 | 30 |
| C-08-07 | 1/2"-14 | 7/16"-20 | 14 | 14 | 41 | 27 |
| C-08-09 | 1/2" - 14 | 9/16" - 18 | 14.1 | 14 | 41 | 27 |
| C-08-12 | 1/2" - 14 | 3/4" - 16 | 16.7 | 14 | 43.5 | 27 |
| C-08-14 | 1/2" - 14 | 7/8" - 14 | 19.3 | 14 | 46.5 | 27 |
| C-08-14-115 | 1/2"-14 | 7/8" - 14 | 19 | 14 | 115 | 27 |
| C-08-17 | 1/2" - 14 | 1.1/16" - 12 | 21.9 | 14 | 48.5 | 30 |
| C-12-09 | 3/4" - 14 | 9/16" - 18 | 14.1 | 16 | 42 | 32 |
| C-12-12 | 3/4" - 14 | 3/4" - 16 | 16.7 | 16 | 45 | 32 |
| C-12-14 | 3/4" - 14 | 7/8" - 14 | 19.3 | 16 | 47.5 | 32 |
| C-12-17 | 3/4" - 14 | 1.1/16" - 12 | 21.9 | 16 | 50 | 32 |
| C-12-19 | 3/4" - 14 | 1.3/16" - 12 | 22.6 | 16 | 51.6 | 32 |
| C-12-21 | 3/4" - 14 | 1.5/16" - 12 | 23.1 | 16 | 53 | 36 |
| C-16-12 | 1"-11 | 3/4"-16 | 16.7 | 18 | 48.3 | 41 |
| C-16-14 | 1" - 11 | 7/8" - 14 | 19.3 | 18 | 49 | 41 |
| C-16-17 | 1" - 11 | 1.1/16" - 12 | 21.9 | 18 | 56 | 41 |
| C-16-21 | 1" - 11 | 1.5/16" - 12 | 23.1 | 18 | 57 | 41 |
| C-16-26 | 1" - 11 | 1.5/8" - 12 | 24.3 | 18 | 58 | 46 |
| C-20-17 | 1.1/4" - 11 | 1.1/16" - 12 | 21.9 | 20 | 60 | 50 |
| C-20-21 | 1.1/4" - 11 | 1.5/16" - 12 | 23.1 | 20 | 61 | 50 |
| C-20-26 | 1.1/4" - 11 | 1.5/8" - 12 | 24.3 | 20 | 62 | 50 |
| C-20-30 | 1.1/4" - 11 | 1.7/8" - 12 | 27.5 | 20 | 65.5 | 50 |
| C-24-21 | 1.1/2"-11 | 1.5/16"-12 | 23.1 | 22 | 63 | 55 |
| C-24-26 | 1.1/2" - 11 | 1.5/8" - 12 | 24.3 | 22 | 64 | 55 |
| C-24-30 | 1.1/2" - 11 | 1.7/8" - 12 | 27.5 | 22 | 64 | 55 |
| C-32-40 | 2" - 11 | 2.1/2" - 12 | 34 | 20 | 73 | 75 |

AHN SERIES

BSPP MALE x NPT MALE

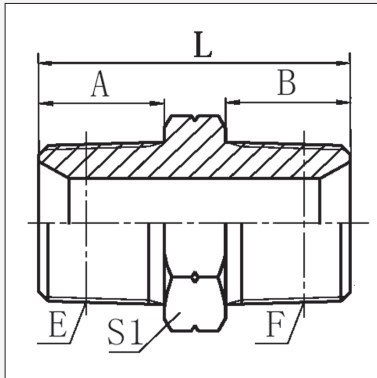


| Product Code | Thread | | Dimensions mm | | | |
|--------------|-----------|-------------|---------------|------|------|----|
| | E (BSPP) | F (NPT) | A | B | L | S1 |
| AHN-02-02 | 1/8"-28 | 1/8"-27 | 10 | 10.5 | 26 | 14 |
| AHN-04-04 | 1/4"-19 | 1/4"-18 | 12 | 15 | 31 | 17 |
| AHN-06-06 | 3/8"-19 | 3/8"-18 | 13.5 | 16 | 37.5 | 22 |
| AHN-08-08 | 1/2"-14 | 1/2"-14 | 16 | 19.5 | 45.5 | 27 |
| AHN-12-12 | 3/4"-14 | 3/4"-14 | 18.5 | 19.5 | 49 | 32 |
| AHN-16-16 | 1"-11 | 1"-11.5 | 20.5 | 25.5 | 59 | 41 |
| AHN-20-20 | 1.1/4"-11 | 1.1/4"-11.5 | 20.5 | 26.5 | 62 | 50 |

STRAIGHT CONNECTORS

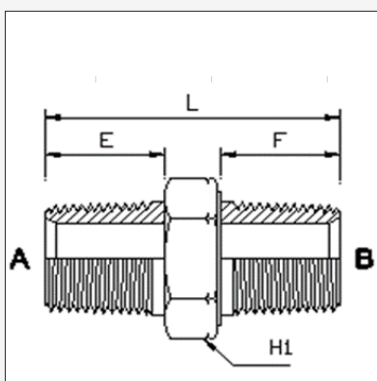


D SERIES BSPT MALE x BSPT MALE



| Product Code | Thread | | Dimensions mm | | | |
|--------------|-------------|-------------|---------------|------|------|----|
| | E (BSPT) | F (BSPT) | A | B | L | S1 |
| D-02-02 | 1/8" - 28 | 1/8" - 28 | 10 | 10 | 26 | 12 |
| D-04-02 | 1/4" - 19 | 1/8" - 28 | 14.5 | 10 | 30.5 | 17 |
| D-04-04 | 1/4" - 19 | 1/4" - 19 | 14.5 | 14.5 | 34 | 17 |
| D-06-02 | 3/8" - 19 | 1/8" - 28 | 15 | 10 | 31 | 19 |
| D-06-04 | 3/8" - 19 | 1/4" - 19 | 15 | 14.5 | 35 | 19 |
| D-06-06 | 3/8" - 19 | 3/8" - 19 | 15 | 15 | 36 | 19 |
| D-08-04 | 1/2" - 14 | 1/4" - 19 | 20 | 15 | 43 | 22 |
| D-08-06 | 1/2" - 14 | 3/8" - 19 | 20 | 15 | 43 | 22 |
| D-08-08 | 1/2" - 14 | 1/2" - 14 | 20 | 20 | 46 | 22 |
| D-10-08 | 5/8" - 14 | 1/2" - 14 | | | | |
| D-10-10 | 5/8" - 14 | 5/8" - 14 | 19 | 19 | 46 | 24 |
| D-12-04 | 3/4" - 14 | 1/4" - 19 | 20 | 15 | 45 | 30 |
| D-12-06 | 3/4" - 14 | 3/8" - 19 | 20 | 15 | 44.5 | 30 |
| D-12-08 | 3/4" - 14 | 1/2" - 14 | 20 | 20 | 48 | 30 |
| D-12-10 | 3/4" - 14 | 5/8" - 14 | | | | |
| D-12-12 | 3/4" - 14 | 3/4" - 14 | 20 | 20 | 48 | 30 |
| D-16-06 | 1" - 11 | 3/8" - 19 | 25.5 | 16 | 51.5 | 36 |
| D-16-08 | 1" - 11 | 1/2" - 14 | 25.5 | 20 | 56.5 | 36 |
| D-16-12 | 1" - 11 | 3/4" - 14 | 25.5 | 20 | 55.5 | 36 |
| D-16-16 | 1" - 11 | 1" - 11 | 25.5 | 25.5 | 61 | 36 |
| D-20-12 | 1.1/4" - 11 | 3/4" - 14 | 26.5 | 20 | 58.5 | 46 |
| D-20-16 | 1.1/4" - 11 | 1" - 11 | 26.5 | 26.5 | 64.5 | 46 |
| D-20-20 | 1.1/4" - 11 | 1.1/4" - 11 | 26.5 | 26.5 | 65.5 | 46 |
| D-24-16 | 1.1/2" - 11 | 1" - 11 | 26.5 | 25.5 | 66 | 50 |
| D-24-20 | 1.1/2" - 11 | 1.1/4" - 11 | 26.5 | 26.5 | 67 | 50 |
| D-24-24 | 1.1/2" - 11 | 1.1/2" - 11 | 26.5 | 26.5 | 67 | 50 |
| D-32-24 | 2" - 11 | 1.1/2" - 11 | 30 | 26.5 | 71.5 | 65 |
| D-32-32 | 2" - 11 | 2" - 11 | 30 | 30 | 75 | 65 |

DN SERIES BSPT MALE X NPT MALE



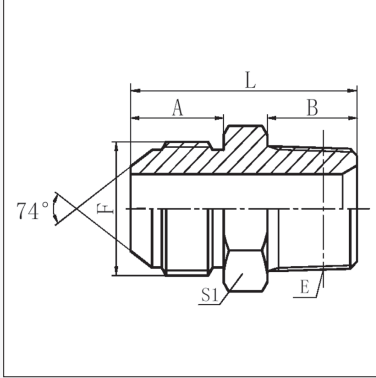
| Product Code | Thread | | Dimensions mm | | | |
|--------------|-----------|-----------|---------------|----|----|----|
| | A (BSPT) | B (NPT) | L | E | F | H1 |
| DN-02-02 | 1/8"-28 | 1/8"-27 | 26 | 10 | 10 | 12 |
| DN-04-04 | 1/4"-19 | 1/4"-18 | 34 | 15 | 15 | 14 |
| DN-06-06 | 3/8"-19 | 3/8"-19 | 38 | 15 | 15 | 19 |
| DN-08-08 | 1/2"-14 | 1/2"-14 | 47 | 19 | 20 | 22 |
| DN-12-12 | 3/4"-12 | 3/4"-12 | 51 | 20 | 20 | 27 |
| DN-16-16 | 1"-11 | 1"-11 | 62 | 25 | 25 | 38 |
| DN-20-20 | 1.1/4"-11 | 1.1/4"-11 | 65 | 27 | 26 | 46 |
| DN-24-24 | 1.1/2"-11 | 1.1/2"-11 | 67 | 27 | 26 | 50 |
| DN-32-32 | 2"-11 | 2"-11 | 74 | 30 | 27 | 65 |

STRAIGHT CONNECTORS



F SERIES

BSPT MALE x JIC MALE



| Product Code | Thread | | Dimensions mm | | | |
|--------------|-------------|--------------|---------------|------|------|----|
| | E (BSPT) | F (JIC) | A | B | L | S1 |
| F-02-07 | 1/8" - 28 | 7/16" - 20 | 14 | 10 | 30 | 12 |
| F-02-07-046 | 1/8" - 28 | 7/16" - 20 | 14 | 10 | 46 | 12 |
| F-02-08 | 1/8" - 28 | 1/2" - 20 | | | | |
| F-02-09 | 1/8" - 28 | 9/16" - 18 | 14.1 | 10.5 | 30.5 | 17 |
| F-04-07 | 1/4" - 19 | 7/16" - 20 | 14 | 14.5 | 34.5 | 17 |
| F-04-08 | 1/4" - 19 | 1/2" - 20 | 14 | 14.5 | 34 | 17 |
| F-04-09 | 1/4" - 19 | 9/16" - 18 | 14.1 | 14.5 | 34 | 17 |
| F-04-10 | 1/4" - 19 | 5/8" - 18 † | | | | |
| F-04-12 | 1/4" - 19 | 3/4" - 16 | 16.7 | 14.5 | 39 | 22 |
| F-06-07 | 3/8" - 19 | 7/16" - 20 | 14 | 15 | 35 | 19 |
| F-06-08 | 3/8" - 19 | 1/2" - 20 | 14 | 15 | 35 | 19 |
| F-06-09 | 3/8" - 19 | 9/16" - 18 | 14.1 | 15 | 34 | 19 |
| F-06-10 | 3/8" - 19 | 5/8" - 18 † | | | | |
| F-06-12 | 3/8" - 19 | 3/4" - 16 | 16.7 | 15 | 39 | 22 |
| F-06-14 | 3/8" - 19 | 7/8" - 14 | 19.3 | 15 | 42.5 | 24 |
| F-06-17 | 3/8" - 19 | 1.1/16" - 12 | 21.9 | 15.5 | 47 | 30 |
| F-08-07 | 1/2" - 14 | 7/16" - 20 | 14 | 20 | 41 | 24 |
| F-08-09 | 1/2" - 14 | 9/16" - 18 | 14.1 | 20 | 41 | 22 |
| F-08-10 | 1/2" - 14 | 5/8" - 18 † | | | | |
| F-08-12 | 1/2" - 14 | 3/4" - 16 | 16.7 | 20 | 44.5 | 22 |
| F-08-14 | 1/2" - 14 | 7/8" - 14 | 19.3 | 20 | 46.5 | 24 |
| F-08-17 | 1/2" - 14 | 1.1/16" - 12 | 21.9 | 20 | 51 | 30 |
| F-08-21 | 1/2" - 14 | 1.5/16" - 12 | 23 | 23 | 59 | 36 |
| F-12-09 | 3/4" - 14 | 9/16" - 18 | 14.1 | 20 | 43.5 | 30 |
| F-12-12 | 3/4" - 14 | 3/4" - 16 | 16.7 | 20 | 46 | 30 |
| F-12-14 | 3/4" - 14 | 7/8" - 14 | 19.3 | 20 | 48.5 | 30 |
| F-12-17 | 3/4" - 14 | 1.1/16" - 12 | 21.9 | 20 | 51 | 30 |
| F-12-19 | 3/4" - 14 | 1.3/16" - 12 | 22.6 | 20 | 52.5 | 32 |
| F-12-21 | 3/4" - 14 | 1.5/16" - 12 | 23.1 | 20 | 53 | 36 |
| C-16-14 | 1" - 11 | 7/8" - 14 | 19.3 | 18 | 49 | 41 |
| F-16-12 | 1" - 11 | 3/4" - 16 | 16.7 | 25.5 | 52 | 36 |
| F-16-14 | 1" - 11 | 7/8" - 14 | 19.3 | 25.5 | 54.5 | 36 |
| F-16-17 | 1" - 11 | 1.1/16" - 12 | 21.9 | 25.5 | 57.5 | 36 |
| F-16-19 | 1" - 11 | 1.3/16" - 12 | 22.6 | 25.5 | 58.5 | 36 |
| F-16-21 | 1" - 11 | 1.5/16" - 12 | 23.1 | 25.5 | 59 | 36 |
| F-16-26 | 1" - 11 | 1.5/8" - 12 | 24.3 | 25.5 | 62.5 | 46 |
| F-20-17 | 1.1/4" - 11 | 1.1/16" - 12 | 21.9 | 26.5 | 61.5 | 46 |
| F-20-21 | 1.1/4" - 11 | 1.5/16" - 12 | 23.1 | 26.5 | 61.5 | 46 |
| F-20-26 | 1.1/4" - 11 | 1.5/8" - 12 | 24.3 | 26.5 | 63 | 46 |
| F-20-30 | 1.1/4" - 11 | 1.7/8" - 12 | 27.5 | 26.5 | 67.5 | 50 |
| F-24-21 | 1.1/2" - 11 | 1.5/16" - 12 | 23.1 | 26.5 | 64.5 | 50 |
| F-24-26 | 1.1/2" - 11 | 1.5/8" - 12 | 24.3 | 26.5 | 66.5 | 50 |
| F-24-30 | 1.1/2" - 11 | 1.7/8" - 12 | 27.5 | 26.5 | 69.5 | 50 |

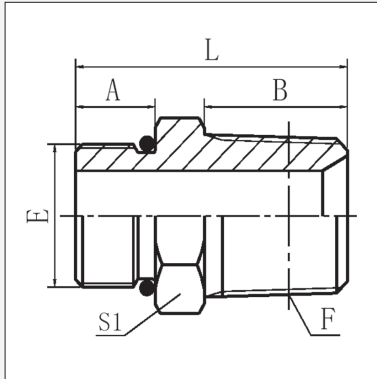
† SAE Thread Form

STRAIGHT CONNECTORS



H SERIES

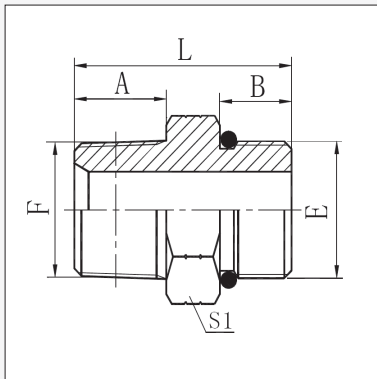
UN'O' MALE x BSPT MALE



| Product Code | Thread | | Dimensions mm | | | |
|--------------|--------------|-----------|---------------|------|------|------|
| | E (UN'O') | F (BSPT) | A | B | L | S1 |
| H-07-04 | 7/16" - 20 | 1/4" - 19 | 9.2 | 14.9 | 29.7 | 15.8 |
| H-09-04 | 9/16" - 18 | 1/4" - 19 | 9.93 | 14.5 | 30 | 19 |
| H-09-06 | 9/16" - 18 | 3/8" - 19 | 9.93 | 15 | 30.5 | 19 |
| H-09-08 | 9/16" - 18 | 1/2" - 20 | 9.93 | 20 | 34 | 22 |
| H-12-04 | 3/4" - 16 | 1/4" - 19 | 11.13 | 14.5 | 33.5 | 22 |
| H-12-06 | 3/4" - 16 | 3/8" - 19 | 11.13 | 15 | 34 | 22 |
| H-12-08 | 3/4" - 16 | 1/2" - 20 | 11.13 | 20 | 38 | 22 |
| H-14-04 | 7/8" - 14 | 1/4" - 19 | 12.7 | 14.5 | 35 | 27 |
| H-14-06 | 7/8" - 14 | 3/8" - 19 | 12.7 | 15 | 37.5 | 27 |
| H-14-08 | 7/8" - 14 | 1/2" - 14 | 12.7 | 20 | 42.5 | 27 |
| H-17-08 | 1.1/16" - 12 | 1/2" - 14 | 15.09 | 20 | 46 | 32 |
| H-17-12 | 1.1/16" - 12 | 3/4" - 14 | 15.09 | 20 | 46 | 32 |
| H-17-16 | 1.1/16" - 12 | 1" - 11 | 15.09 | 25.5 | 51 | 32 |
| H-21-08 | 1.5/16" - 12 | 1/2" - 14 | 15.09 | 20 | 46 | 32 |
| H-21-12 | 1.5/16" - 12 | 3/4" - 14 | 15.09 | 20 | 46 | 38 |
| H-21-16 | 1.5/16" - 12 | 1" - 11 | 15.09 | 25.5 | 51 | 38 |

HN SERIES

UN'O' MALE x NPT MALE



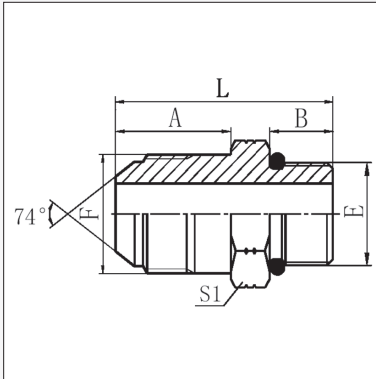
| Product Code | Thread | | Dimensions mm | | | |
|--------------|--------------|-----------|---------------|------|------|----|
| | E (UN'O') | F (NPT) | A | B | L | S1 |
| HN-07-02 | 7/16" - 20 | 1/8" - 27 | 10.5 | 9.1 | 27.5 | 14 |
| HN-12-04 | 3/4" - 16 | 1/4" - 18 | 14.5 | 11.5 | 34 | 22 |
| HN-17-16 | 1.1/16" - 12 | 1" - 11 | 24.7 | 15.3 | 54.2 | 35 |
| HN-21-16 | 1.5/16" - 12 | 1" - 11 | 25.5 | 15.1 | 52.8 | 38 |

STRAIGHT CONNECTORS



J SERIES

UN'O' MALE x JIC MALE



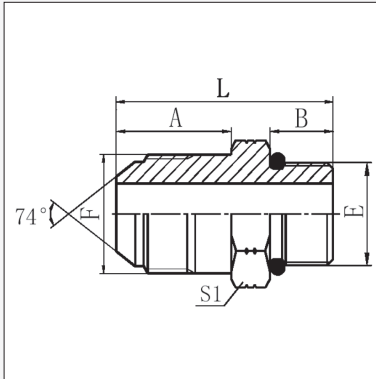
| Product Code | Thread | | Dimensions mm | | | |
|--------------|--------------|--------------|---------------|-------|------|-------|
| | E (UN'O') | F (JIC) | A | B | L | S1 |
| J-07-05 | 7/16" - 20 | 5/16" - 24 | 14 | 8.54 | 28.4 | 14 |
| J-07-07 | 7/16" - 20 | 7/16" - 20 | 14 | 9.14 | 29 | 14 |
| J-07-08 | 7/16" - 20 | 1/2" - 20 | 14 | 9.14 | 29 | 14 |
| J-07-09 | 7/16" - 20 | 9/16" - 18 | 14.1 | 9.14 | 29 | 17 |
| J-08-07 | 1/2" - 20 | 7/16" - 20 | 14 | 9.14 | 29 | 17 |
| J-08-08 | 1/2" - 20 | 1/2" - 20 | 14 | 9.14 | 29 | 17 |
| J-08-09 | 1/2" - 20 | 9/16" - 18 | 14.1 | 9.14 | 29.5 | 17 |
| J-08-12 | 1/2" - 20 | 3/4" - 16 | 17 | 9 | 38 | 22.23 |
| J-09-07 | 9/16" - 18 | 7/16" - 20 | 14 | 9.93 | 30 | 17 |
| J-09-08 | 9/16" - 18 | 1/2" - 20 | 14 | 9.93 | 30 | 17 |
| J-09-09 | 9/16" - 18 | 9/16" - 18 | 14.1 | 9.93 | 30 | 17 |
| J-09-12 | 9/16" - 18 | 3/4" - 16 | 16.7 | 9.93 | 35 | 22 |
| J-09-14 | 9/16" - 18 | 7/8" - 14 | 19.3 | 9.93 | 37 | 24 |
| J-12-07 | 3/4" - 16 | 7/16" - 20 | 14 | 11.13 | 33 | 22 |
| J-12-08 | 3/4" - 16 | 1/2" - 20 | 14 | 11.13 | 33 | 22 |
| J-12-09 | 3/4" - 16 | 9/16" - 18 | 14.1 | 11.13 | 33 | 22 |
| J-12-12 | 3/4" - 16 | 3/4" - 16 | 16.7 | 11.13 | 36 | 22 |
| J-12-14 | 3/4" - 16 | 7/8" - 14 | 19.3 | 11.13 | 39 | 24 |
| J-12-17 | 3/4" - 16 | 1.1/16" - 12 | 21.9 | 11.13 | 43 | 30 |
| J-14-09 | 7/8" - 14 | 9/16" - 18 | 14.1 | 12.7 | 37 | 27 |
| J-14-12 | 7/8" - 14 | 3/4" - 16 | 16.7 | 12.7 | 40 | 27 |
| J-14-14 | 7/8" - 14 | 7/8" - 14 | 19.3 | 12.7 | 42.5 | 27 |
| J-14-17 | 7/8" - 14 | 1.1/16" - 12 | 21.9 | 12.7 | 45 | 30 |
| J-17-07 | 1.1/16" - 12 | 7/16" - 20 | 14 | 15.09 | 40 | 32 |
| J-17-09 | 1.1/16" - 12 | 9/16" - 18 | 14.1 | 15.09 | 40 | 32 |
| J-17-12 | 1.1/16" - 12 | 3/4" - 16 | 16.7 | 15.09 | 43 | 32 |
| J-17-14 | 1.1/16" - 12 | 7/8" - 14 | 19.3 | 11.13 | 39 | 24 |
| J-17-17 | 1.1/16" - 12 | 1.1/16" - 12 | 21.9 | 15.09 | 48 | 32 |
| J-17-19 | 1.1/16" - 12 | 1.3/16" - 12 | 22.6 | 15.09 | 48.5 | 32 |
| J-17-21 | 1.1/16" - 12 | 1.5/16" - 12 | 21.9 | 15.09 | 48 | 38 |
| J-19-12 | 1.3/16" - 12 | 3/4" - 16 | 16.7 | 15.09 | 43 | 36 |
| J-19-14 | 1.3/16" - 12 | 7/8" - 14 | 19.3 | 15.09 | 45.5 | 36 |
| J-19-17 | 1.3/16" - 12 | 1.1/16" - 12 | 21.9 | 15.09 | 48 | 36 |
| J-19-19 | 1.3/16" - 12 | 1.3/16" - 12 | 22.6 | 15.09 | 48.5 | 36 |
| J-19-21 | 1.3/16" - 12 | 1.5/16" - 12 | 22.6 | 15.09 | 50.5 | 38 |
| J-21-12 | 1.5/16" - 12 | 3/4" - 16 | 16.7 | 15.09 | 42.5 | 38 |
| J-21-14 | 1.5/16" - 12 | 7/8" - 14 | 19.3 | 15.09 | 45.5 | 38 |
| J-21-17 | 1.5/16" - 12 | 1.1/16" - 12 | 21.9 | 15.09 | 48 | 38 |
| J-21-19 | 1.5/16" - 12 | 1.3/16" - 12 | 22.6 | 15.09 | 50.5 | 38 |
| J-21-21 | 1.5/16" - 12 | 1.5/16" - 12 | 23.1 | 15.09 | 49 | 38 |
| J-21-26 | 1.5/16" - 12 | 1.5/8" - 12 | 24.3 | 15.09 | 52.5 | 46 |
| J-26-17 | 1.5/8" - 12 | 1.1/16" - 12 | 21.9 | 15.09 | 52 | 50 |
| J-26-21 | 1.5/8" - 12 | 1.5/16" - 12 | 23.1 | 15.09 | 53 | 50 |
| J-26-26 | 1.5/8" - 12 | 1.5/8" - 12 | 24.3 | 15.09 | 54.5 | 50 |
| J-26-30 | 1.5/8" - 12 | 1.7/8" - 12 | 27.5 | 15.09 | 57.5 | 50 |

STRAIGHT CONNECTORS



K SERIES

UN'O' MALE x JIC MALE EXT.

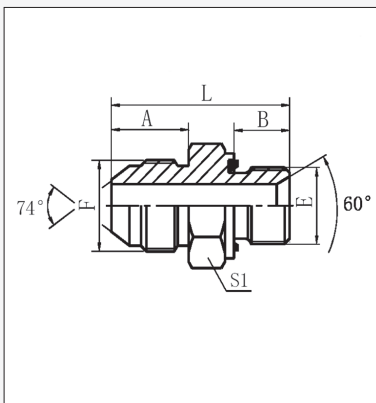


| Product Code | Thread | | Dimensions mm | | | |
|--------------|--------------|--------------|---------------|------|------|----|
| | E (UN'O') | F (JIC) | A | B | L | S1 |
| K-07-07 † | 7/16" - 20 | 7/16" - 20 | 35 | 9.1 | 50.5 | 14 |
| K-08-08 † | 1/2" - 20 | 1/2" - 20 | 37 | 9.1 | 52.5 | 17 |
| K-09-09 | 9/16" - 18 | 9/16" - 18 | 39 | 9.9 | 55 | 17 |
| K-12-12 † | 3/4" - 16 | 3/4" - 16 | 48 | 11.1 | 67.5 | 22 |
| K-14-14 † | 7/8" - 14 | 7/8" - 14 | 53 | 12.7 | 76 | 27 |
| K-17-17 † | 1.1/16" - 12 | 1.1/16" - 12 | 63 | 15.1 | 89 | 32 |
| K-21-21 † | 1.5/16" - 12 | 1.5/16" - 12 | 72 | 15.1 | 100 | 38 |

† Non stocked, available on request

L SERIES

METRIC MALE x JIC MALE



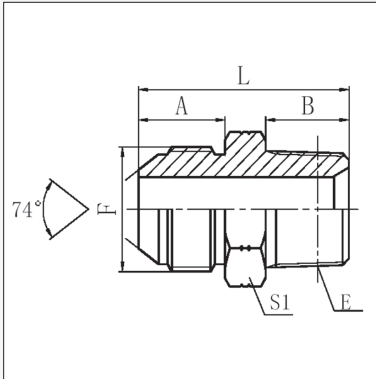
| Product Code | Thread | | Dimensions mm | | | |
|--------------|------------|--------------|---------------|----|------|----|
| | E (METRIC) | F (JIC) | A | B | L | S1 |
| L-08-07 | M8 - 1 | 7/16" - 20 | 14 | 7 | 28 | 12 |
| L-10-07 | M10 - 1 | 7/16" - 20 | 14 | 8 | 29.5 | 17 |
| L-10-09 | M10 - 1 | 9/16"-18 | 14 | 8 | 29.5 | 14 |
| L-12-07 | M12 - 1.5 | 7/16" - 20 | 14 | 10 | 31 | 17 |
| L-12-09 | M12 - 1.5 | 9/16" - 18 | 14 | 12 | 33.5 | 17 |
| L-14-07 | M14X1.5 | 7/16"X20 | 14 | 12 | 33.4 | 19 |
| L-14-09 | M14 - 1.5 | 9/16" - 18 | 14 | 12 | 34 | 19 |
| L-14-12 | M14 - 1.5 | 3/4" - 16 | 16.7 | 12 | 38.5 | 22 |
| L-16-07 | M16 - 1.5 | 7/16"-20 | 14 | 12 | 36 | 14 |
| L-16-09 | M16 - 1.5 | 9/16" - 18 | 14 | 12 | 36 | 22 |
| L-16-12 | M16 - 1.5 | 3/4" - 16 | 16.7 | 12 | 38.5 | 22 |
| L-16-14 | M16 - 1.5 | 7/8"-14 | 19 | 12 | 41 | 24 |
| L-18-09 | M18 - 1.5 | 9/16" - 18 | 14.1 | 12 | 36.5 | 24 |
| L-18-12 | M18 - 1.5 | 3/4" - 16 | 16.7 | 12 | 39 | 24 |
| L-18-14 | M18 - 1.5 | 7/8" - 14 | 19.3 | 12 | 41.5 | 24 |
| L-18-17 | M18 - 1.5 | 1.1/16" - 12 | 21.9 | 12 | 46.5 | 30 |
| L-20-09 | M20 - 1.5 | 9/16" - 18 | 14.1 | 14 | 40.5 | 27 |
| L-20-12 | M20 - 1.5 | 3/4" - 16 | 16.7 | 14 | 43 | 27 |
| L-20-14 | M20 - 1.5 | 7/8" - 14 | 19.3 | 14 | 45.5 | 27 |
| L-22-12 | M22 - 1.5 | 3/4" - 16 | 16.7 | 14 | 43.5 | 27 |
| L-22-14 | M22 - 1.5 | 7/8" - 14 | 19.3 | 14 | 46 | 27 |
| L-22-17 | M22 - 1.5 | 1.1/16" - 12 | 21.9 | 14 | 48.5 | 30 |
| L-24-17 | M24 - 1.5 | 1.1/16"-12 | 22 | 14 | 48 | 30 |
| L-26-17 | M26 - 1.5 | 1.1/16" - 12 | 21.9 | 16 | 52 | 32 |
| L-26-21 | M26 - 1.5 | 1.5/16" - 12 | 23.1 | 16 | 53 | 36 |
| L-27-17 | M27 - 2 | 1.1/16" - 12 | 21.9 | 16 | 52 | 32 |
| L-27-21 | M27 - 2 | 1.5/16"-12 | 21.9 | 16 | 52 | 36 |
| L-33-17 | M33 - 2 | 1.1/16" - 12 | 21.9 | 18 | 52 | 38 |
| L-33-21 | M33 - 2 | 1.5/16" - 12 | 23.1 | 18 | 57 | 41 |
| L-33-26 | M33 - 2 | 1.5/8" - 12 | 24.3 | 18 | 58.2 | 46 |
| L-42-26 | M42 - 2 | 1.5/8" - 12 | 24.3 | 20 | 62 | 50 |
| L-42-30 | M42 - 2 | 1.7/8" - 12 | 27.5 | 20 | 64 | 50 |
| L-48-26 | M48 - 2 | 1.5/8" - 12 | 24.3 | 22 | 67.5 | 55 |
| L-48-30 | M48 - 2 | 1.7/8" - 12 | 27.5 | 22 | 67.5 | 55 |

STRAIGHT CONNECTORS



M SERIES

NPTF MALE x JIC MALE



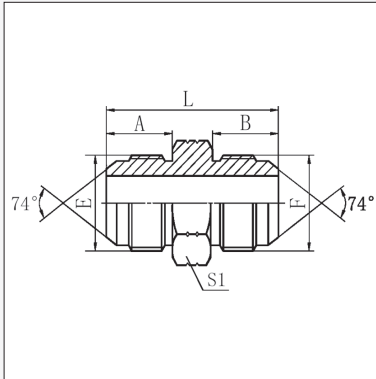
| Product Code | Thread | | Dimensions mm | | | |
|--------------|---------------|--------------|---------------|------|------|----|
| | E (NPTF) | F (JIC) | A | B | L | S1 |
| M-02-07 | 1/8" - 27 | 7/16" - 20 | 14 | 10 | 30.5 | 12 |
| M-02-08 | 1/8" - 27 | 1/2" - 20 | 14 | 10.5 | 30.5 | 14 |
| M-02-09 | 1/8" - 27 | 9/16" - 18 | 14.1 | 10.5 | 30.5 | 17 |
| M-04-07 | 1/4" - 18 | 7/16" - 20 | 14 | 15 | 35 | 17 |
| M-04-08 | 1/4" - 18 | 1/2" - 20 | 14 | 15 | 35 | 17 |
| M-04-09 | 1/4" - 18 | 9/16" - 18 | 14.1 | 15 | 34.5 | 17 |
| M-04-10 † | 1/4" - 18 | 5/8" - 18 † | | | | |
| M-04-12 | 1/4" - 18 | 3/4" - 16 | 16.7 | 15 | 39 | 22 |
| M-06-07 | 3/8" - 18 | 7/16" - 20 | 14 | 15 | 36 | 19 |
| M-06-08 | 3/8" - 18 | 1/2" - 20 | 14 | 15 | 35 | 19 |
| M-06-09 | 3/8" - 18 | 9/16" - 18 | 14.1 | 16 | 36 | 19 |
| M-06-10 † | 3/8" - 18 | 5/8" - 18 † | | | | |
| M-06-12 | 3/8" - 18 | 3/4" - 16 | 16.7 | 16 | 40 | 22 |
| M-06-14 | 3/8" - 18 | 7/8" - 14 | 19.3 | 16 | 43.5 | 24 |
| M-06-17 | 3/8" - 18 | 1.1/16" - 12 | 21.9 | 16 | 48 | 30 |
| M-08-07 | 1/2" - 14 | 7/16" - 20 | 14 | 19.5 | 40 | 22 |
| M-08-09 | 1/2" - 14 | 9/16" - 18 | 14.1 | 19.5 | 41.5 | 22 |
| M-08-10 | 1/2" - 14 | 5/8" - 18 † | | | | |
| M-08-12 | 1/2" - 14 | 3/4" - 16 | 16.7 | 19.5 | 44 | 24 |
| M-08-14 | 1/2" - 14 | 7/8" - 14 | 19.3 | 19.5 | 47 | 24 |
| M-08-17 | 1/2" - 14 | 1.1/16" - 12 | 21.9 | 19.5 | 51 | 30 |
| M-12-09 | 3/4" - 14 | 9/16" - 18 | 15 | 19.5 | 44.5 | 30 |
| M-12-12 | 3/4" - 14 | 3/4" - 16 | 16.7 | 19.5 | 46.5 | 30 |
| M-12-14 | 3/4" - 14 | 7/8" - 14 | 19.3 | 19.5 | 49 | 30 |
| M-12-17 | 3/4" - 14 | 1.1/16" - 12 | 21.9 | 19.5 | 51.5 | 30 |
| M-12-19 | 3/4" - 14 | 1.3/16" - 12 | 22.6 | 19.5 | 53 | 32 |
| M-12-21 | 3/4" - 14 | 1.5/16" - 12 | 23.1 | 19.5 | 53.5 | 36 |
| M-16-17 | 1" - 11.5 | 1.1/16" - 12 | 21.9 | 25.5 | 58.5 | 36 |
| M-16-19 | 1" - 11.5 | 1.3/16" - 12 | | | | |
| M-16-21 | 1" - 11.5 | 1.5/16" - 12 | 23.1 | 25.5 | 58.5 | 36 |
| M-16-26 | 1" - 11.5 | 1.5/8" - 12 | 24.3 | 25.5 | 63 | 46 |
| M-20-21 | 1.1/4" - 11.5 | 1.5/16" - 12 | 23.1 | 26.5 | 62.5 | 46 |
| M-20-26 | 1.1/4" - 11.5 | 1.5/8" - 12 | 24.3 | 26.5 | 63.5 | 46 |
| M-20-30 | 1.1/4" - 11.5 | 1.7/8" - 12 | 27.5 | 26.5 | 69 | 50 |
| M-24-26 | 1.1/2" - 11.5 | 1.5/8" - 12 | 24.3 | 27.5 | 67 | 50 |
| M-24-30 | 1.1/2" - 11.5 | 1.7/8" - 12 | 27.5 | 27.5 | 70 | 50 |
| M-24-40 | 1.1/2" - 11.5 | 2.1/2" - 12 | 33.9 | 27.5 | 78.5 | 65 |
| M-32-30 | 2" - 11.5 | 1.7/8" - 12 | 27.5 | 27.5 | 78.5 | 65 |
| M-32-40 | 2" - 11.5 | 2.1/2" - 12 | 33.9 | 27.5 | 80 | 65 |

† SAE Thread Form

STRAIGHT CONNECTORS



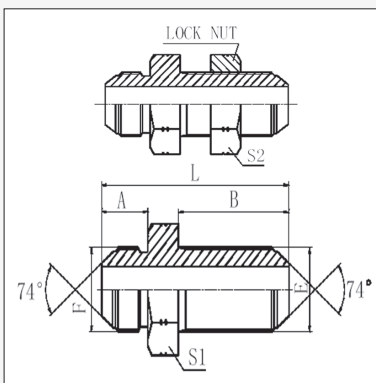
P SERIES JIC MALE x JIC MALE



| Product Code | Thread | | Dimensions mm | | | | |
|--------------|--------------|--------------|---------------|------|------|----|--|
| | E (JIC) | F (JIC) | A | B | L | S1 | |
| P-07-07 | 7/16" - 20 | 7/16" - 20 | 14 | 14 | 34 | 12 | |
| P-08-08 | 1/2" - 20 | 1/2" - 20 | 14 | 14 | 34 | 14 | |
| P-09-07 | 9/16" - 18 | 7/16" - 20 | 14.1 | 14 | 34.1 | 17 | |
| P-09-09 | 9/16" - 18 | 9/16" - 18 | 14.4 | 14.1 | 34.2 | 17 | |
| P-10-10 † | 5/8" - 18 | 5/8" - 18 † | | | | | |
| P-12-07 | 3/4" - 16 | 7/16" - 20 | 16.7 | 14 | 38.5 | 22 | |
| P-12-09 | 3/4" - 16 | 9/16" - 18 | 16.7 | 14.1 | 38.5 | 22 | |
| P-12-12 | 3/4" - 16 | 3/4" - 16 | 16.7 | 16.7 | 42 | 22 | |
| P-14-09 | 7/8" - 14 | 9/16" - 18 | 19.3 | 14.1 | 41.5 | 24 | |
| P-14-12 | 7/8" - 14 | 3/4" - 16 | 19.3 | 16.7 | 44 | 24 | |
| P-14-14 | 7/8" - 14 | 7/8" - 18 | 19.3 | 19.3 | 46.5 | 24 | |
| P-17-09 | 1.1/16" - 12 | 9/16" - 18 | 21.9 | 14.1 | 46 | 30 | |
| P-17-12 | 1.1/16" - 12 | 3/4" - 16 | 21.9 | 16.7 | 48.5 | 30 | |
| P-17-14 | 1.1/16" - 12 | 7/8" - 14 | 21.9 | 19.3 | 51 | 30 | |
| P-17-17 | 1.1/16" - 12 | 1.1/16" - 12 | 21.9 | 21.9 | 54 | 30 | |
| P-19-19 | 1.3/16" - 12 | 1.3/16" - 12 | 22.6 | 22.6 | 56 | 32 | |
| P-21-14 | 1.5/16" - 12 | 7/8" - 14 | 23.1 | 19.3 | 53.5 | 36 | |
| P-21-17 | 1.5/16" - 12 | 1.1/16" - 12 | 23.1 | 21.9 | 56 | 36 | |
| P-21-19 | 1.5/16" - 12 | 1.3/16" - 12 | 23.1 | 22.6 | 56.5 | 36 | |
| P-21-21 | 1.5/16" - 12 | 1.5/16" - 12 | 23.1 | 23.1 | 57 | 36 | |
| P-26-21 | 1.5/8" - 12 | 1.5/16" - 12 | 24.3 | 23.1 | 60.5 | 46 | |
| P-26-26 | 1.5/8" - 12 | 1.5/8" - 12 | 24.3 | 24.3 | 62 | 46 | |
| P-30-30 | 1.7/8" - 12 | 1.7/8" - 12 | 27.5 | 27.5 | 70 | 50 | |
| P-40-40 | 2.1/2" - 12 | 2.1/2" - 12 | 33.9 | 33.9 | 85 | 65 | |

† SAE Thread Form

R SERIES JIC MALE x JIC MALE BULKHEAD



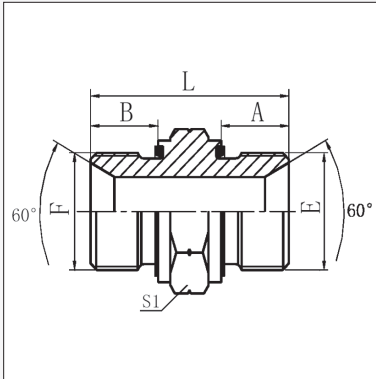
| Product Code | Thread | | Dimensions mm | | | | |
|--------------|--------------|--------------|---------------|------|------|----|----|
| | E (JIC) | F (JIC) | A | B | L | S1 | S2 |
| R-07-07 | 7/16" - 20 | 7/16" - 20 | 14 | 32.5 | 52.5 | 17 | 17 |
| R-08-08 | 1/2" - 20 | 1/2" - 20 | 14 | 32.5 | 52.5 | 19 | 19 |
| R-09-09 | 9/16" - 18 | 9/16" - 18 | 14.1 | 32.5 | 54.5 | 22 | 22 |
| R-10-10 † | 5/8" - 18 | 5/8" - 18 | 15.7 | 36.0 | 60 | 24 | 24 |
| R-12-12 | 3/4" - 16 | 3/4" - 16 | 16.7 | 36.5 | 61.5 | 24 | 24 |
| R-14-14 | 7/8" - 14 | 7/8" - 14 | 19.3 | 40 | 69.5 | 30 | 30 |
| R-17-17 | 1.1/16" - 12 | 1.1/16" - 12 | 21.9 | 44.5 | 78.5 | 36 | 36 |
| R-21-21 | 1.5/16" - 12 | 1.5/16" - 12 | 23.1 | 44.5 | 79.8 | 41 | 41 |
| R-26-26 | 1.5/8" - 12 | 1.5/8" - 12 | 24.3 | 45.7 | 84 | 50 | 50 |
| R-30-30 | 1.7/8" - 12 | 1.7/8" - 12 | 27.5 | 46 | 89.5 | 55 | 55 |

† SAE Thread Form

STRAIGHT CONNECTORS

**AH** SERIES

BSPP MALE x BSPP MALE

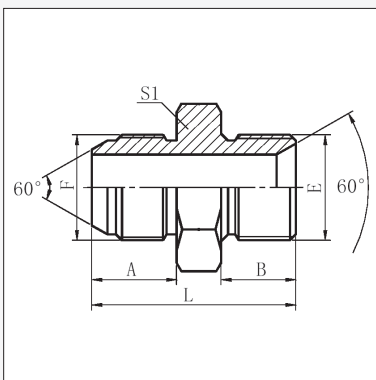


| Product Code | Thread | | Dimensions mm | | | |
|--------------|-------------|-------------|---------------|------|------|----|
| | E (BSPP) | F (BSPP) | A | B | L | S1 |
| AH-02-02 | 1/8" - 28 | 1/8" - 28 | 7.8 | 7.8 | 25.5 | 14 |
| AH-04-02 | 1/4" - 19 | 1/8" - 28 | 12 | 8 | 29.5 | 19 |
| AH-04-04 | 1/4" - 19 | 1/4" - 19 | 12 | 12 | 34 | 19 |
| AH-06-04 | 3/8" - 19 | 1/4" - 19 | 12 | 12 | 34.5 | 22 |
| AH-06-06 | 3/8" - 19 | 3/8" - 19 | 12 | 12 | 37 | 22 |
| AH-08-04 | 1/2" - 14 | 1/4" - 19 | 14 | 12 | 39 | 27 |
| AH-08-06 | 1/2" - 14 | 3/8" - 19 | 14 | 13.5 | 40.5 | 27 |
| AH-08-08 | 1/2" - 14 | 1/2" - 14 | 14 | 14 | 44 | 27 |
| AH-12-04 | 3/4" - 14 | 1/4" - 19 | 16 | 12 | 42 | 32 |
| AH-12-06 | 3/4" - 14 | 3/8" - 19 | 16 | 12 | 42.5 | 32 |
| AH-12-08 | 3/4" - 14 | 1/2" - 14 | 16 | 16 | 46 | 32 |
| AH-12-12 | 3/4" - 14 | 3/4" - 14 | 16 | 16 | 47 | 32 |
| AH-16-08 | 1" - 11 | 1/2" - 14 | 18 | 14 | 51 | 41 |
| AH-16-12 | 1" - 11 | 3/4" - 14 | 18 | 18.5 | 52.5 | 41 |
| AH-16-16 | 1" - 11 | 1" - 11 | 18 | 18 | 55 | 41 |
| AH-20-12 | 1.1/4" - 11 | 3/4" - 14 | 20 | 18 | 57 | 50 |
| AH-20-16 | 1.1/4" - 11 | 1" - 11 | 20.5 | 20 | 58.5 | 50 |
| AH-20-20 | 1.1/4" - 11 | 1.1/4" - 11 | 20 | 20 | 61 | 50 |
| AH-24-16 | 1.1/2" - 11 | 1" - 11 | 22 | 18 | 61 | 55 |
| AH-24-20 | 1.1/2" - 11 | 1.1/4" - 11 | 22 | 20.5 | 60.5 | 55 |
| AH-24-24 | 1.1/2" - 11 | 1.1/2" - 11 | 22 | 22 | 65 | 55 |
| AH-32-24 | 2" - 11 | 1.1/2" - 11 | 22 | 22 | 66 | 75 |
| AH-32-32* | 2" - 11 | 2" - 11 | 22 | 22 | 66 | 70 |

* Encapsulated seal one end only

AM SERIES

BSPP MALE x JIS (BSPP) MALE



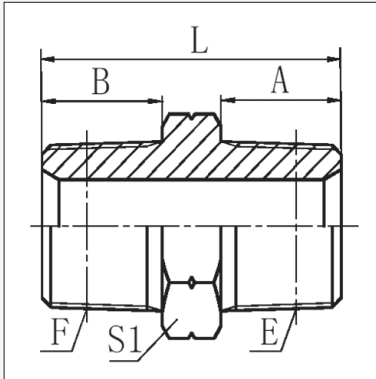
| Product Code | Thread | | Dimensions mm | | | |
|--------------|-----------|-------------|---------------|------|------|----|
| | E (BSPP) | F (JISBSPP) | A | B | L | S1 |
| AM-04-04 | 1/4" x 19 | 1/4" x 19 | 16 | 12 | 34 | 19 |
| AM-06-06 | 3/8" x 19 | 3/8" x 19 | 18 | 13.5 | 39.5 | 22 |
| AM-08-08 | 1/2" x 14 | 1/2" x 14 | 20 | 16 | 46 | 27 |
| AM-12-12 | 3/4" - 14 | 3/4" - 14 | 22 | 18 | 51.5 | 32 |
| AM-16-16 | 1" x 11 | 1" x 11 | 24 | 20.5 | 57.5 | 41 |

STRAIGHT CONNECTORS



AN / ANHD SERIES

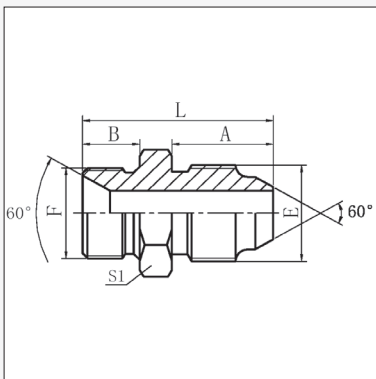
NPTF MALE x NPTF MALE



| Product Code | Thread | | Dimensions mm | | | | |
|---|---------------|---------------|---------------|------|------|----|--|
| | E (NPTF) | F (NPTF) | A | B | L | S1 | |
| AN-02-02 | 1/8" - 27 | 1/8" - 27 | 10.5 | 10.5 | 27 | 12 | |
| AN-04-02 | 1/4" - 18 | 1/8" - 27 | 15 | 10.5 | 31 | 17 | |
| AN-04-04 | 1/4" - 18 | 1/4" - 18 | 15 | 15 | 36 | 17 | |
| AN-06-04 | 3/8" - 18 | 1/4" - 18 | 16 | 15 | 37 | 19 | |
| AN-06-06 | 3/8" - 18 | 3/8" - 18 | 16 | 16 | 38 | 19 | |
| AN-08-04 | 1/2" - 14 | 1/4" - 18 | 19.5 | 15 | 41.5 | 22 | |
| AN-08-06 | 1/2" - 14 | 3/8" - 18 | 19.5 | 16 | 43.5 | 22 | |
| AN-08-08 | 1/2" - 14 | 1/2" - 14 | 19.5 | 19.5 | 47 | 22 | |
| AN-12-04 | 3/4" - 14 | 1/4" - 18 | 19.5 | 15 | 43.5 | 30 | |
| AN-12-06 | 3/4" - 14 | 3/8" - 18 | 19.5 | 16 | 45.5 | 30 | |
| AN-12-08 | 3/4" - 14 | 1/2" - 14 | 19.5 | 19.5 | 49 | 30 | |
| AN-12-12 | 3/4" - 14 | 3/4" - 14 | 19.5 | 19.5 | 49 | 30 | |
| AN-16-08 | 1" - 11.5 | 1/2" - 14 | 25.5 | 19.5 | 56 | 36 | |
| AN-16-12 | 1" - 11.5 | 3/4" - 14 | 25.5 | 19.5 | 55 | 36 | |
| AN-16-16 | 1" - 11.5 | 1" - 11.5 | 25.5 | 25.5 | 62 | 36 | |
| AN-20-16 | 1.1/4" - 11.5 | 1" - 11.5 | 26.5 | 25.5 | 64 | 46 | |
| AN-20-20 | 1.1/4" - 11.5 | 1.1/4" - 11.5 | 26.5 | 26.5 | 66 | 46 | |
| AN-24-16 | 1.1/2" - 11.5 | 1" - 11.5 | | | | | |
| AN-24-20 | 1.1/2" - 11.5 | 1.1/4" - 11.5 | 27.5 | 26.5 | 69 | 50 | |
| AN-24-24 | 1.1/2" - 11.5 | 1.1/2" - 11.5 | 27.5 | 27.5 | 70 | 50 | |
| AN-32-24 | 2" - 11.5 | 1.1/2" - 11.5 | 27.5 | 27.5 | 72 | 65 | |
| AN-32-32 | 2" - 11.5 | 2" - 11.5 | 27.5 | 27.5 | 72 | 65 | |
| HEAVY DUTY 10,000 PSI (700 BAR) HIGH PRESSURE SERIES | | | | | | | |
| ANHD-04-04 | 1/4" - 18 | 1/4" - 18 | 15 | 15 | 38 | 16 | |
| ANHD-06-06 | 3/8" - 18 | 3/8" - 18 | 15 | 15 | 38 | 19 | |

KA SERIES

JIS (METRIC) MALE x BSPP MALE

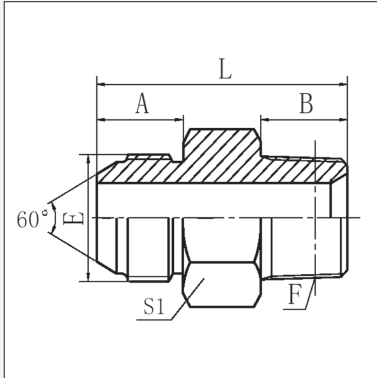


| Product Code | Thread | | Dimensions mm | | | | |
|--------------|------------|-----------|---------------|------|------|----|--|
| | E (METRIC) | F (BSPP) | A | B | L | S1 | |
| KA-14-04 | M14 - 1.5 | 1/4" - 19 | 15.5 | 12 | 33.5 | 19 | |
| KA-18-06 | M18 - 1.5 | 3/8" - 19 | 18 | 13.5 | 39.5 | 22 | |
| KA-22-06 | M22 - 1.5 | 3/8" - 19 | 20 | 13.5 | 41.5 | 24 | |
| KA-22-08 | M22 - 1.5 | 1/2" - 14 | 20 | 16 | 46 | 27 | |
| KA-24-08 | M24 - 1.5 | 1/2" - 14 | 22 | 16 | 48 | 27 | |
| KA-24-12 | M24 - 1.5 | 3/4" - 14 | 22 | 18.5 | 51.5 | 32 | |

STRAIGHT CONNECTORS

**KF** SERIES

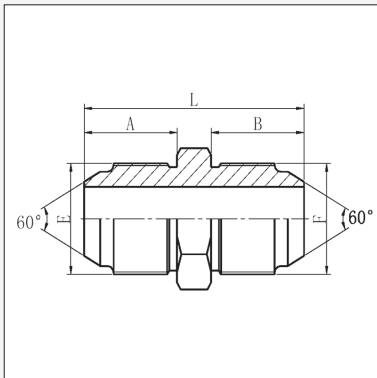
JIS METRIC MALE x BSPT MALE



| Product Code | Thread | | Dimensions mm | | | |
|--------------|------------|-----------|---------------|------|------|----|
| | E (METRIC) | F (BSPT) | A | B | L | S1 |
| KF-14-04 | M14 - 1.5 | 1/4" - 19 | 17 | 14.5 | 37.5 | 17 |
| KF-14-06 | M14 - 1.5 | 3/8" - 19 | 17 | 15 | 38 | 19 |
| KF-16-06 | M16 - 1.5 | 3/8" - 19 | 18 | 15 | 38 | 19 |
| KF-18-06 | M18 - 1.5 | 3/8" - 19 | 18 | 15 | 38 | 19 |
| KF-20-06 | M20 - 1.5 | 3/8" - 19 | 20 | 15 | 43 | 22 |
| KF-22-06 | M22 - 1.5 | 3/8" - 19 | 20 | 15 | 43 | 24 |
| KF-22-08 | M22 - 1.5 | 1/2" - 14 | 20 | 20 | 48 | 24 |
| KF-24-08 | M24 - 1.5 | 1/2" - 14 | 21.5 | 20 | 51.5 | 27 |
| KF-24-12 | M24 - 1.5 | 3/4" - 14 | 21.5 | 20 | 51.5 | 30 |
| KF-30-12 | M30 - 1.5 | 3/4" - 14 | 26 | 20 | 57 | 32 |
| KF-33-16 | M33 - 1.5 | 1" - 11 | 30 | 25.5 | 66.5 | 36 |

KP SERIES

JIS METRIC MALE x JIS METRIC MALE



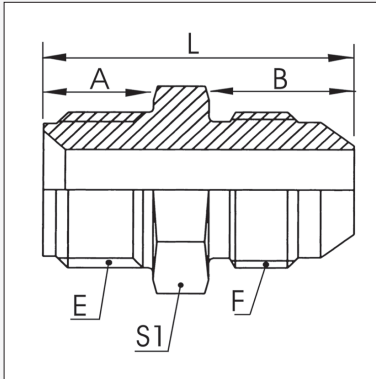
| Product Code | Thread | | Dimensions mm | | | |
|--------------|------------|------------|---------------|------|----|----|
| | E (METRIC) | F (METRIC) | A | B | L | S1 |
| KP-14-14 | M14 - 1.5 | M14 - 1.5 | 17 | 17 | 40 | 17 |
| KP-16-16 | M16 - 1.5 | M16 - 1.5 | 18 | 18 | 42 | 19 |
| KP-18-18 | M18 - 1.5 | M18 - 1.5 | 18 | 18 | 42 | 19 |
| KP-20-20 | M20 - 1.5 | M20 - 1.5 | 20 | 20 | 48 | 22 |
| KP-22-22 | M22 - 1.5 | M22 - 1.5 | 20 | 20 | 48 | 24 |
| KP-24-24 | M24 - 1.5 | M24 - 1.5 | 21.5 | 21.5 | 53 | 27 |
| KP-30-30 | M30 - 1.5 | M30 - 1.5 | 26 | 26 | 63 | 32 |
| KP-33-33 | M33 - 1.5 | M33 - 1.5 | 30 | 30 | 71 | 36 |

STRAIGHT CONNECTORS



PS SERIES

SAE INVERTED FLARE x JIC MALE

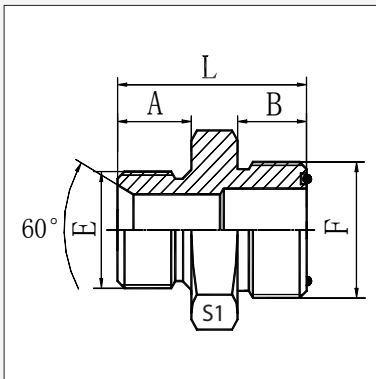


| Product Code | Thread | | Dimensions mm | | | |
|--------------|-------------|-------------|---------------|----|----|------|
| | E(SAEFlare) | F (JIC) | A | B | L | S1 |
| PS-06-07 | 3/8" - 24 | 7/16" - 20 | 9 | 14 | 30 | 12 |
| PS-07-07 | 7/16" - 24 | 7/16" - 20 | 9 | 14 | 30 | 12 |
| PS-08-08 | 1/2" - 20 | 1/2" - 20 | 10 | 14 | 31 | 14.3 |
| PS-08-09 | 1/2" - 20 | 9/16" - 18 | 10 | 14 | 31 | 17.5 |
| PS-08-10 † | 1/2" - 20 | 5/8" - 18 † | 10 | 16 | 32 | 17.5 |
| PS-10-09 | 5/8" - 18 | 9/16" - 18 | 10 | 14 | 31 | 17.5 |
| PS-10-10 † | 5/8" - 18 | 5/8" - 18 † | 10 | 16 | 33 | 17.5 |
| PS-10-12 | 5/8" - 18 | 3/4" - 16 | 10 | 17 | 35 | 22.2 |
| PS-11-12 | 11/16" - 18 | 3/4" - 16 | 13 | 17 | 37 | 22.2 |
| PS-12-12 | 3/4" - 18 | 3/4" - 16 | 13 | 17 | 37 | 22.2 |

† SAE Thread Form

FF1201 SERIES

BSPM MALE x ORFS MALE



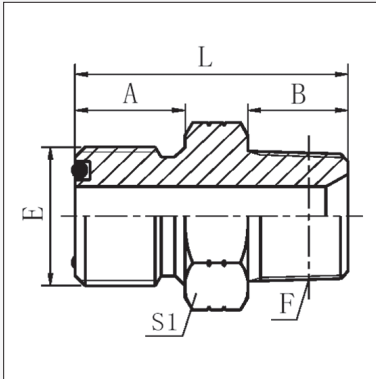
| Product Code | Thread | | Dimensions mm | | | |
|--------------|-------------|---------------|---------------|------|------|----|
| | E (BSPM) | F (ORFS) | A | B | L | S1 |
| FF1201-0204 | 1/8" - 19 | 9/16" - 18 | 8 | 26 | 26 | 17 |
| FF1201-0404 | 1/4" - 19 | 9/16" - 18 | 12 | 10 | 31 | 19 |
| FF1201-0406 | 1/4" - 19 | 11/16" - 16 | 12 | 11 | 32 | 19 |
| FF1201-0408 | 1/4" - 19 | 13/16" - 16 | 12 | 13 | 37 | 19 |
| FF1201-0604 | 3/8" - 19 | 9/16" - 18 | 12 | 10 | 31.5 | 22 |
| FF1201-0606 | 3/8" - 19 | 11/16" - 16 | 12 | 11 | 33.5 | 22 |
| FF1201-0608 | 3/8" - 19 | 13/16" - 16 | 12 | 13 | 34.5 | 22 |
| FF1201-0806 | 1/2" - 14 | 11/16" - 16 | 14 | 11 | 38.5 | 22 |
| FF1201-0808 | 1/2" - 14 | 13/16" - 16 | 14 | 13 | 40 | 27 |
| FF1201-0810 | 1/2" - 14 | 1" - 14 | 14 | 15.5 | 41 | 27 |
| FF1201-0812 | 1/2" - 14 | 1.3/16" - 12 | 14 | 17 | 48.5 | 27 |
| FF1201-1208 | 3/4" - 14 | 13/16" - 16 | 16 | 12 | 43 | 32 |
| FF1201-1210 | 3/4" - 14 | 1" - 14 | 16 | 15.5 | 44.5 | 32 |
| FF1201-1212 | 3/4" - 14 | 1.3/16" - 12 | 16 | 17 | 46 | 32 |
| FF1201-1612 | 1" - 11 | 1.3/16" - 12 | 17 | 16 | 47 | 41 |
| FF1201-1616 | 1" - 11 | 1.7/16" - 12 | 18 | 17.5 | 50 | 41 |
| FF1201-2016 | 1.1/4" - 11 | 1.7/16" - 12 | 20 | 18 | 55 | 50 |
| FF1201-2020 | 1.1/4" - 11 | 1.11/16" - 12 | 20 | 17.5 | 54 | 50 |
| FF1201-2424 | 1.1/2" - 11 | 2" - 12 | 22 | 17.5 | 57.5 | 55 |

STRAIGHT CONNECTORS



FF1202 SERIES

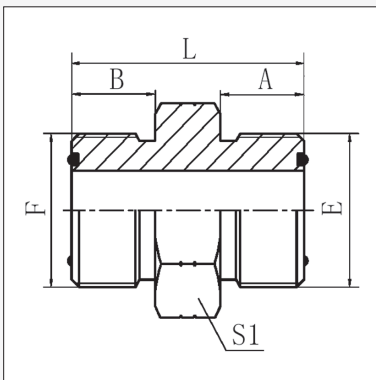
ORFS MALE x NPTF MALE



| Product Code | Thread | | Dimensions mm | | | |
|--------------|---------------|---------------|---------------|------|------|----|
| | E (ORFS) | F (NPT) | A | B | L | S1 |
| FF1202-0402 | 9/16" - 18 | 1/8" - 27 | 9.8 | 10.5 | 26.5 | 17 |
| FF1202-0404 | 9/16" - 18 | 1/4" - 18 | 9.8 | 15 | 30.5 | 17 |
| FF1202-0406 | 9/16" - 18 | 3/8" - 18 | 9.8 | 16 | 30.5 | 19 |
| FF1202-0602 | 11/16" - 16 | 1/8" - 27 | | | | |
| FF1202-0604 | 11/16" - 16 | 1/4" - 18 | 11.2 | 15 | 32 | 19 |
| FF1202-0606 | 11/16" - 16 | 3/8" - 18 | 11.2 | 16 | 33.5 | 19 |
| FF1202-0608 | 11/16" - 16 | 1/2" - 14 | 11.2 | 19.5 | 39 | 24 |
| FF1202-0804 | 13/16" - 16 | 1/4" - 18 | 12.8 | 15 | 36 | 22 |
| FF1202-0806 | 13/16" - 16 | 3/8" - 18 | 12.8 | 16 | 36.5 | 22 |
| FF1202-0808 | 13/16" - 16 | 1/2" - 14 | 12.8 | 19.5 | 40 | 24 |
| FF1202-0812 | 13/16" - 16 | 3/4" - 14 | 12.8 | 19.5 | 40 | 24 |
| FF1202-1008 | 1" - 14 | 1/2" - 14 | 15.5 | 19.5 | 45 | 27 |
| FF1202-1012 | 1" - 14 | 3/4" - 14 | 15.5 | 19.5 | 45 | 30 |
| FF1202-1208 | 1.3/16" - 12 | 1/2" - 14 | 17 | 19.5 | 49 | 32 |
| FF1202-1212 | 1.3/16" - 12 | 3/4" - 14 | 17 | 19.5 | 46.5 | 32 |
| FF1202-1216 | 1.3/16" - 12 | 1" - 11.5 | 17 | 25.5 | 53.5 | 38 |
| FF1202-1612 | 1.7/16" - 12 | 3/4" - 14 | 17.5 | 19.5 | 48 | 38 |
| FF1202-1616 | 1.7/16" - 12 | 1" - 11.5 | 17.5 | 25.5 | 53.5 | 36 |
| FF1202-1620 | 1.7/16" - 12 | 1.1/4" - 11.5 | 17.5 | 26.5 | 56.5 | 46 |
| FF1202-2020 | 1.11/16" - 12 | 1.1/4" - 11.5 | 17.5 | 27.5 | 59.5 | 50 |
| FF1202-2424 | 2" - 12 | 1.1/2" - 11.5 | 17.5 | 27.5 | 59.5 | 55 |

FF1204 SERIES

ORFS MALE x ORFS MALE

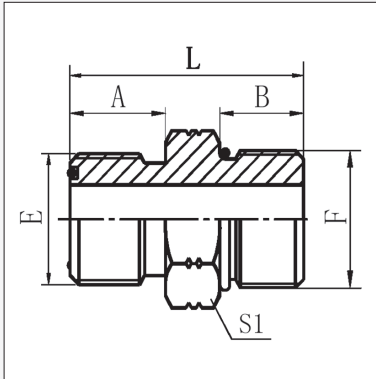


| Product Code | Thread | | Dimensions mm | | | |
|--------------|---------------|---------------|---------------|------|------|----|
| | E (ORFS) | F (ORFS) | A | B | L | S1 |
| FF1204-0404 | 9/16" - 18 | 9/16" - 18 | 9.8 | 9.8 | 27.5 | 17 |
| FF1204-0604 | 11/16" - 16 | 9/16" - 18 | 11.2 | 9.8 | 29.7 | 19 |
| FF1204-0606 | 11/16" - 16 | 11/16" - 16 | 11.2 | 11.2 | 31.1 | 19 |
| FF1204-0806 | 13/16" - 16 | 11/16" - 16 | 11.2 | 12.8 | 33.8 | 22 |
| FF1204-0808 | 13/16" - 16 | 13/16" - 16 | 12.8 | 12.8 | 35.4 | 22 |
| FF1204-1008 | 1" - 14 | 13/16" - 16 | 15.5 | 12.8 | 40 | 27 |
| FF1204-1010 | 1" - 14 | 1" - 14 | 15.5 | 15.5 | 42.5 | 27 |
| FF1204-1210 | 1.3/16" - 12 | 1" - 14 | 17 | 15.5 | 45.5 | 32 |
| FF1204-1212 | 1.3/16" - 12 | 1.3/16" - 12 | 17 | 17 | 47.1 | 32 |
| FF1204-1612 | 1.7/16" - 12 | 1.3/16" - 12 | 17.5 | 17 | 45.5 | 38 |
| FF1204-1616 | 1.7/16" - 12 | 1.7/16" - 12 | 17.5 | 17.5 | 49.3 | 38 |
| FF1204-2020 | 1.11/16" - 12 | 1.11/16" - 12 | 17.5 | 17.5 | 51.3 | 46 |
| FF1204-2424 | 2" - 12 | 2" - 12 | 17.5 | 17.5 | 53 | 55 |

STRAIGHT CONNECTORS

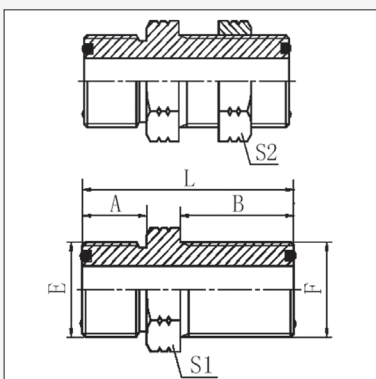


FF1231 SERIES ORFS MALE x UN'O' MALE



| Product Code | Thread | | Dimensions mm | | | |
|--------------|---------------|--------------|---------------|------|------|----|
| | E (ORFS) | F (UN'O') | A | B | L | S1 |
| FF1231-0404 | 9/16" - 18 | 7/16" - 20 | 9.8 | 11 | 28.7 | 17 |
| FF1231-0405 | 9/16" - 18 | 1/2" - 20 | 9.8 | 11 | 28.7 | 17 |
| FF1231-0406 | 9/16" - 18 | 9/16" - 18 | 9.8 | 12 | 29.5 | 17 |
| FF1231-0408 | 9/16" - 18 | 3/4" - 16 | 9.8 | 14 | 33.5 | 22 |
| FF1231-0604 | 11/16" - 16 | 7/16" - 20 | 11.2 | 11 | 31 | 19 |
| FF1231-0605 | 11/16" - 16 | 1/2" - 20 | 11.2 | 11 | 30.9 | 19 |
| FF1231-0606 | 11/16" - 16 | 9/16" - 18 | 11.2 | 12 | 31.9 | 19 |
| FF1231-0608 | 11/16" - 16 | 3/4" - 16 | 11.2 | 14 | 35 | 22 |
| FF1231-0610 | 11/16" - 16 | 7/8" - 14 | 11.2 | 16 | 38.5 | 27 |
| FF1231-0806 | 13/16" - 16 | 9/16" - 18 | 12.8 | 12 | 34.5 | 22 |
| FF1231-0808 | 13/16" - 16 | 3/4" - 16 | 12.8 | 14 | 36.6 | 22 |
| FF1231-0810 | 13/16" - 16 | 7/8" - 14 | 12.8 | 16 | 40.5 | 27 |
| FF1231-0812 | 13/16" - 16 | 1.1/16" - 12 | 12.8 | 18.5 | 44.5 | 32 |
| FF1231-0816 | 13/16" - 16 | 1.5/16" - 12 | 12.8 | 18.5 | 44.5 | 38 |
| FF1231-1008 | 1" - 14 | 3/4" - 16 | 15.5 | 14 | 41 | 27 |
| FF1231-1010 | 1" - 14 | 7/8" - 14 | 15.5 | 16 | 43.1 | 27 |
| FF1231-1012 | 1" - 14 | 1.1/16" - 12 | 15.5 | 18.5 | 47 | 32 |
| FF1231-1208 | 1.3/16" - 12 | 3/4" - 16 | 17 | 14 | 44 | 32 |
| FF1231-1210 | 1.3/16" - 12 | 7/8" - 14 | 17 | 16 | 46 | 32 |
| FF1231-1212 | 1.3/16" - 12 | 1.1/16" - 12 | 17 | 18.5 | 48.6 | 32 |
| FF1231-1214 | 1.3/16" - 12 | 1.3/16" - 12 | | | | |
| FF1231-1216 | 1.3/16" - 12 | 1.5/16" - 12 | 17 | 18.5 | 49.8 | 38 |
| FF1231-1612 | 1.7/16" - 12 | 1.1/16" - 12 | 17.5 | 18.5 | 50 | 38 |
| FF1231-1616 | 1.7/16" - 12 | 1.5/16" - 12 | 17.5 | 18.5 | 50.3 | 38 |
| FF1231-1620 | 1.7/16" - 12 | 1.5/8" - 12 | 17.5 | 18.5 | 52 | 50 |
| FF1231-2016 | 1.11/16" - 12 | 1.5/16" - 12 | 17.5 | 18.5 | 52.3 | 50 |
| FF1231-2020 | 1.11/16" - 12 | 1.5/8" - 12 | 17.5 | 18.5 | 52.3 | 50 |
| FF1231-2024 | 1.11/16" - 12 | 1.7/8" - 12 | 17.5 | 18.5 | 52 | 55 |
| FF1231-2420 | 2" - 12 | 1.5/8" - 12 | 17.5 | 18.5 | 54.1 | 55 |
| FF1231-2424 | 2" - 12 | 1.7/8" - 12 | 17.5 | 18.5 | 54.1 | 55 |

FF1260LN SERIES ORFS MALE x ORFS MALE BULKHEAD



| Product Code | Thread | | Dimensions mm | | | | |
|---------------|---------------|---------------|---------------|------|------|----|----|
| | E (ORFS) | F (ORFS) | A | B | L | S1 | S2 |
| FF1260LN-0404 | 9/16" - 18 | 9/16" - 18 | 9.8 | 31.5 | 48.2 | 22 | 22 |
| FF1260LN-0606 | 11/16" - 16 | 11/16" - 16 | 11.2 | 34 | 53.2 | 27 | 27 |
| FF1260LN-0808 | 13/16" - 16 | 13/16" - 16 | 12.8 | 36.5 | 58.3 | 30 | 30 |
| FF1260LN-1010 | 1" - 14 | 1" - 14 | 15.5 | 40.6 | 66.6 | 36 | 36 |
| FF1260LN-1212 | 1.3/16" - 12 | 1.3/16" - 12 | 17 | 41.7 | 69.2 | 38 | 38 |
| FF1260LN-1616 | 1.7/16" - 12 | 1.7/16" - 12 | 17.5 | 42.2 | 70.2 | 46 | 46 |
| FF1260LN-2020 | 1.11/16" - 12 | 1.11/16" - 12 | 17.5 | 42.2 | 70.2 | 50 | 50 |
| FF1260LN-2424 | 2" - 12 | 2" - 12 | 17.5 | 42.2 | 70.2 | 60 | 60 |





SECTION 2 TEES / CROSSES

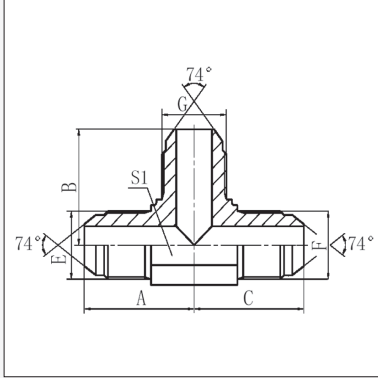
PAGE

| CBA | JIC x JIC x JIC | M / M / M | D 19 |
|-----------------------|---------------------------------|---------------------------------------|------|
| CBB / CBBI | JIC x JIC x JIC | M / M / F _{SW} | D 19 |
| CBH | JIC x JIC x JIC BULKHEAD | M / M / M | D 20 |
| CBJ | JIC x JIC x BSPT | M / M / M | D 20 |
| CBJP | JIC MALE x JIC MALE x BSPT MALE | M / M / M | D 20 |
| CBJN | JIC x JIC x NPTF | M / M / M | D 21 |
| CBM | JIC x JIC x UN`O` | M / M / M | D 21 |
| CMA / CMAI | JIC x JIC x JIC | M / F _{SW} / M | D 22 |
| CXA | JIC x JIC BULKHEAD X JIC | M / M / M | D 22 |
| CTA | JIC x BSPT x JIC | M / M / M | D 23 |
| CTAN | JIC x NPT x JIC | M / M / M | D 23 |
| CTP | JIC x BSPP x JIC | M / M / M | D 23 |
| CYA | JIC x UN`O` x JIC | M / M / M | D 24 |
| EPD / EPDP | BSP x BSPP x BSP | M / F / M | D 24 |
| EPF | BSPT x BSPT x BSPT | F / F / F | D 24 |
| EPFFM | BSPP x BSPP x BSPT | F _{SW} / F _{SW} / M | D 25 |
| EPFLF | BSPT x BSPT x BSPT | F / M / F | D 25 |
| EPJ | BSPT x BSPT x BSPT | M / M / M | D 25 |
| EPK / EPKHD | NPTF x NPTF x NPTF | F / F / F | D 26 |
| EPKKL | NPTF / NPTF / NPTF | F / F / M | D 26 |
| EPKLK | NPTF x NPTF x NPTF | F / M / F | D 26 |
| EPP | BSPT x BSPP x BSPT | M / M / M | D 27 |
| FF1220 | ORFS x ORFS x ORFS | M / M / M | D 27 |
| FF1221 | ORFS x ORFS x NPTF | M / M / M | D 28 |
| FF1265 | ORFS x ORFS x UN`O` | M / M / M | D 28 |
| FF1266 | ORFS x UN`O` x ORFS | M / M / M | D 28 |
| FF1248 | ORFS x ORFS x ORFS | M / F _{SW} / M | D 29 |
| FF1227 | ORFS x ORFS x ORFS | M / M / F _{SW} | D 29 |
| KMA | JIS MET x JIS MET x JIS MET | M / F _{SW} / M | D 29 |
| KYA | JIS MET x JIS MET `O` x JIS MET | M / M / M | D 30 |
| MFBB/ MFFB/ MFJB/MFJU | TEST POINT ADAPTORS | M/F/M | D 30 |
| FF1229 | ORFS Cross | M/M/M/M | D30 |



CBA SERIES

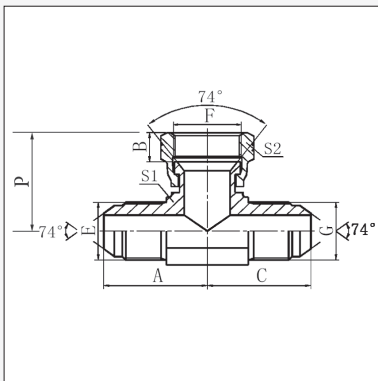
JIC MALE x JIC MALE x JIC MALE



| Product Code | Thread | | | Dimensions mm | | | | | |
|---------------------|--------------|--------------|--------------|---------------|------|------|----|--|--|
| | E (JIC) | F (JIC) | G (JIC) | A | B | C | S1 | | |
| CBA-07-07-07 | 7/16" - 20 | 7/16" - 20 | 7/16" - 20 | 24.5 | 24.5 | 24.5 | 11 | | |
| CBA-08-08-08 | 1/2" - 20 | 1/2" - 20 | 1/2" - 20 | 26 | 26 | 26 | 14 | | |
| CBA-09-09-09 | 9/16" - 18 | 9/16" - 18 | 9/16" - 18 | 26.9 | 26.9 | 26.9 | 14 | | |
| CBA-12-12-12 | 3/4" - 16 | 3/4" - 16 | 3/4" - 16 | 32 | 32 | 32 | 19 | | |
| CBA-12-12-14 | 3/4" - 16 | 3/4" - 16 | 7/8" - 14 | 34.8 | 37.8 | 34.8 | 22 | | |
| CBA-12-12-17 | 3/4" - 16 | 3/4" - 16 | 1.1/16" - 12 | 38 | 38 | 44.2 | 27 | | |
| CBA-14-14-14 | 7/8" - 14 | 7/8" - 14 | 7/8" - 14 | 37.8 | 37.8 | 37.8 | 22 | | |
| CBA-17-17-17 | 1.1/16" - 12 | 1.1/16" - 12 | 1.1/16" - 12 | 44.2 | 44.2 | 44.2 | 27 | | |
| CBA-17-17-21 | 1.1/16" - 12 | 1.1/16" - 12 | 1.5/16" - 12 | 46 | 46.5 | 46 | 33 | | |
| CBA-21-17-17 | 1.5/16" - 12 | 1.1/16" - 12 | 1.1/16" - 12 | 46 | 46 | 46 | 33 | | |
| CBA-21-21-21 | 1.5/16" - 12 | 1.5/16" - 12 | 1.5/16" - 12 | 49 | 49 | 49 | 33 | | |
| CBA-26-26-26 | 1.5/8" - 12 | 1.5/8" - 12 | 1.5/8" - 12 | 56.5 | 56.5 | 56.5 | 41 | | |
| CBA-30-30-30 | 1.7/8" - 12 | 1.7/8" - 12 | 1.7/8" - 12 | 63 | 63 | 63 | 48 | | |

CBB SERIES

JIC MALE x JIC MALE x JIC FEMALE



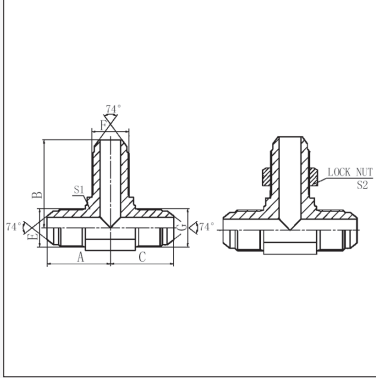
| Product Code | Thread | | | Dimensions mm | | | | | |
|---------------------------------|--------------|--------------|--------------|---------------|------|------|----|----|------|
| | E (JIC) | F (JIC) | G (JIC) | A | B | C | S1 | S2 | P |
| CBB-07-07-07^a | 7/16" - 20 | 7/16" - 20 | 7/16" - 20 | 22.5 | 9 | 22.5 | 11 | 15 | 25.5 |
| CBB-08-08-08 | 1/2" - 20 | 1/2" - 20 | 1/2" - 20 | 24 | 9.5 | 24 | 14 | 17 | 27 |
| CBB-09-09-09^a | 9/16" - 18 | 9/16" - 18 | 9/16" - 18 | 27 | 10.5 | 27 | 14 | 19 | 32 |
| CBB-10-10-10[†] | 5/8" x 18 | 5/8" x 18 | 5/8" x 18 | 30 | 11.3 | 30 | 16 | 22 | |
| CBB-12-12-12^a | 3/4" - 16 | 3/4" - 16 | 3/4" - 16 | 31.5 | 11 | 31.5 | 19 | 24 | 35 |
| CBB-14-14-14 | 7/8" - 14 | 7/8" - 14 | 7/8" - 14 | 36.5 | 14 | 36.5 | 22 | 27 | 41 |
| CBB-17-17-17 | 1.1/16" - 12 | 1.1/16" - 12 | 1.1/16" - 12 | 42 | 15 | 42 | 27 | 32 | 44.5 |
| CBB-21-21-21^a | 1.5/16" - 12 | 1.5/16" - 12 | 1.5/16" - 12 | 46 | 16 | 46 | 33 | 41 | 51 |
| CBB-26-26-26^a | 1.5/8" - 12 | 1.5/8" - 12 | 1.5/8" - 12 | 52 | 17 | 52 | 41 | 50 | 59 |
| CBB-30-30-30 | 1.7/8" - 12 | 1.7/8" - 12 | 1.7/8" - 12 | 59 | 20 | 59 | 48 | 55 | 66 |

[†] SAE Thread Form

^a Also available with Imperial dimensioned hex nut. **Product Code CBB1**

**CBH** SERIES

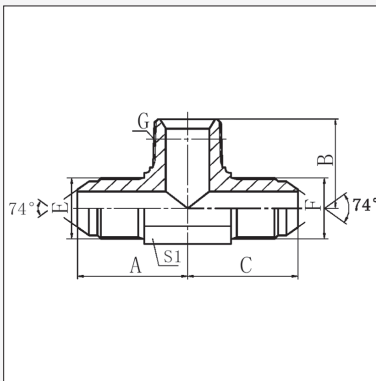
JIC MALE x JIC MALE x JIC MALE BULKHEAD



| Product Code | Thread | | | Dimensions mm | | | | |
|--------------|--------------|--------------|--------------|---------------|------|------|----|----|
| | E (JIC) | F (JIC) | G (JIC) | A | B | C | S1 | S2 |
| CBH-07-07-07 | 7/16" - 20 | 7/16" - 20 | 7/16" - 20 | 24.5 | 40.4 | 24.5 | 11 | 17 |
| CBH-09-09-09 | 9/16" - 18 | 9/16" - 18 | 9/16" - 18 | 26.9 | 46 | 26.9 | 14 | 22 |
| CBH-12-12-12 | 3/4" - 16 | 3/4" - 16 | 3/4" - 16 | 32 | 53.5 | 32 | 19 | 24 |
| CBH-14-14-14 | 7/8" - 14 | 7/8" - 14 | 7/8" - 14 | 37.8 | 60.7 | 37.8 | 22 | 30 |
| CBH-17-17-17 | 1.1/16" - 12 | 1.1/16" - 12 | 1.1/16" - 12 | 44.2 | 67.8 | 44.2 | 27 | 36 |
| CBH-21-21-21 | 1.5/16" - 12 | 1.5/16" - 12 | 1.5/16" - 12 | 49 | 71 | 49 | 33 | 41 |

CBJ SERIES

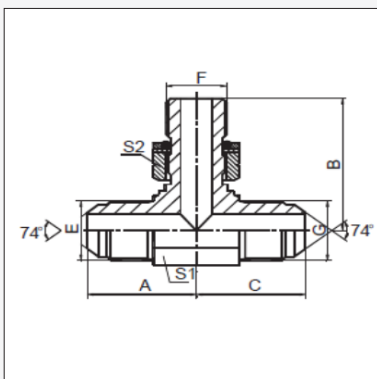
JIC MALE x JIC MALE x BSPT MALE



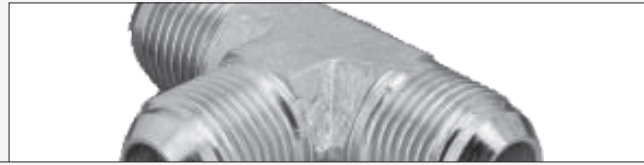
| Product Code | Thread | | | Dimensions mm | | | | |
|--------------|--------------|--------------|-------------|---------------|------|------|----|----|
| | E (JIC) | F (JIC) | G (BSPT) | A | B | C | S1 | S2 |
| CBJ-07-07-02 | 7/16" - 20 | 7/16" - 20 | 1/8" - 28 | 24.5 | 21 | 24.5 | 11 | |
| CBJ-07-07-04 | 7/16" - 20 | 7/16" - 20 | 1/4" - 19 | 26.5 | 25.5 | 26.5 | 14 | |
| CBJ-09-09-04 | 9/16" - 18 | 9/16" - 18 | 1/4" - 19 | 26.9 | 25.5 | 26.9 | 14 | |
| CBJ-09-09-06 | 9/16" - 18 | 9/16" - 18 | 3/8" - 19 | 28.5 | 28.5 | 28.5 | 16 | |
| CBJ-12-12-06 | 3/4" - 16 | 3/4" - 16 | 3/8" - 19 | 32 | 30.5 | 32 | 19 | |
| CBJ-12-12-08 | 3/4" - 16 | 3/4" - 16 | 1/2" - 14 | 34.8 | 36 | 34.8 | 22 | |
| CBJ-14-14-08 | 7/8" - 14 | 7/8" - 14 | 1/2" - 14 | 37.8 | 36 | 37.8 | 22 | |
| CBJ-17-17-12 | 1.1/16" - 12 | 1.1/16" - 12 | 3/4" - 14 | 44.2 | 43.5 | 44.2 | 27 | |
| CBJ-21-21-16 | 1.5/16" - 12 | 1.5/16" - 12 | 1" - 11 | 49 | 50 | 49 | 33 | |
| CBJ-26-26-20 | 1.5/8" - 12 | 1.5/8" - 12 | 1.1/4" - 11 | 55.5 | 56.5 | 55.5 | 41 | |

CBJP SERIES

JIC MALE x JIC MALE x BSPP MALE

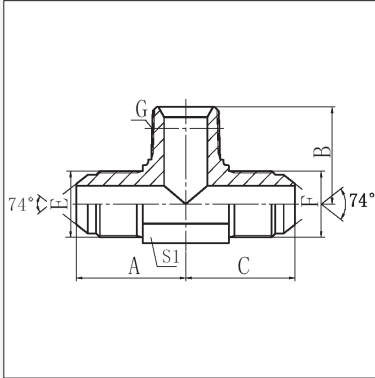


| Product Code | Thread | | | Dimensions (mm) | | | | |
|---------------|----------|----------|----------|-----------------|----|----|----|----|
| | E (JIC) | G (JIC) | F (BSPP) | A | B | C | S1 | S2 |
| CBJP-07-07-04 | 7/16"-20 | 7/16"-20 | 1/4"-19 | 27 | 27 | 31 | 14 | 19 |
| CBJP-09-09-04 | 9/16"-18 | 9/16"-18 | 1/4"-19 | 37 | 31 | 27 | 14 | 19 |
| CBJP-12-12-08 | 3/4"-16 | 3/4"-16 | 1/2"-14 | 35 | 35 | 43 | 22 | 27 |



CBJN SERIES

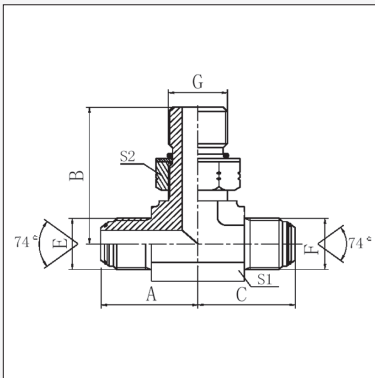
JIC MALE x JIC MALE x NPT MALE



| Product Code | Thread | | | Dimensions mm | | | | |
|---------------|--------------|--------------|-----------|---------------|------|------|----|--|
| | E (JIC) | F (JIC) | G (NPT) | A | B | C | S1 | |
| CBJN-07-07-02 | 7/16" - 20 | 7/16" - 20 | 1/8" - 27 | 24.5 | 21 | 24.5 | 11 | |
| CBJN-07-07-04 | 7/16" - 20 | 7/16" - 20 | 1/4" - 18 | 26.6 | 25.5 | 26.6 | 14 | |
| CBJN-09-09-04 | 9/16" - 18 | 9/16" - 18 | 1/4" - 18 | 26.9 | 25.5 | 26.9 | 14 | |
| CBJN-09-09-06 | 9/16" - 18 | 9/16" - 18 | 3/8" - 18 | 30 | 31 | 30 | 19 | |
| CBJN-12-12-06 | 3/4" - 16 | 3/4" - 16 | 3/8" - 18 | 32 | 31 | 32 | 19 | |
| CBJN-12-12-08 | 3/4" - 16 | 3/4" - 16 | 1/2" - 14 | 34.8 | 37.3 | 34.8 | 22 | |
| CBJN-14-14-08 | 7/8" - 14 | 7/8" - 14 | 1/2" - 14 | 37.8 | 36.7 | 37.8 | 22 | |
| CBJN-17-17-12 | 1.1/16" - 12 | 1.1/16" - 12 | 3/4" - 14 | 44.2 | 44 | 44.2 | 27 | |
| CBJN-21-21-16 | 1.5/16" - 12 | 1.5/16" - 12 | 1" - 11.5 | 49 | 50 | 49 | 33 | |

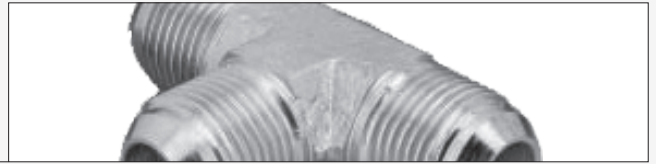
CBM SERIES

JIC MALE x JIC MALE x UN'O' MALE



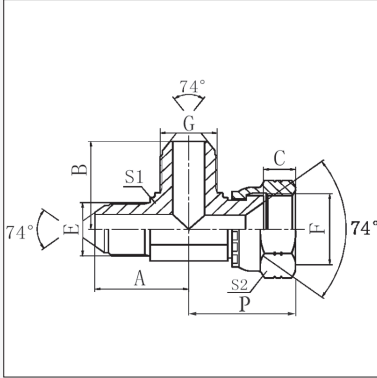
| Product Code | Thread | | | Dimensions mm | | | | |
|--------------|--------------|--------------|--------------|---------------|------|------|----|----|
| | E (JIC) | F (JIC) | G (UN'O') | A | B | C | S1 | S2 |
| CBM-07-07-07 | 7/16" - 20 | 7/16" - 20 | 7/16" - 20 | 24.5 | 27.2 | 24.5 | 11 | 17 |
| CBM-09-09-09 | 9/16" - 18 | 9/16" - 18 | 9/16" - 18 | 26.9 | 31.8 | 26.9 | 14 | 19 |
| CBM-12-12-09 | 3/4" - 16 | 3/4" - 16 | 9/16" - 18 | | | | | |
| CBM-12-12-12 | 3/4" - 16 | 3/4" - 16 | 3/4" - 16 | 33 | 36.8 | 33 | 19 | 24 |
| CBM-12-12-14 | 3/4" - 16 | 3/4" - 16 | 7/8" - 14 | 34.5 | 43 | 34.5 | 22 | 26 |
| CBM-14-14-14 | 7/8" - 14 | 7/8" - 14 | 7/8" - 14 | 37.8 | 44 | 37.8 | 22 | 27 |
| CBM-17-17-17 | 1.1/16" - 12 | 1.1/16" - 12 | 1.1/16" - 12 | 44.2 | 51 | 44.2 | 27 | 32 |
| CBM-21-21-17 | 1.5/16" - 12 | 1.5/16" - 12 | 1.1/16" - 12 | | | | | |
| CBM-21-21-21 | 1.5/16" - 12 | 1.5/16" - 12 | 1.5/16" - 12 | 48.8 | 54.5 | 48.8 | 33 | 41 |
| CBM-26-26-26 | 1.5/8" - 12 | 1.5/8" - 12 | 1.5/8" - 12 | 55.3 | 59 | 55.3 | 41 | 50 |
| CBM-30-30-30 | 1.7/8" - 12 | 1.7/8" - 12 | 1.7/8" - 12 | 62.5 | 63 | 62.5 | 48 | 55 |

TEES



CMA SERIES

JIC MALE x JIC FEMALE x JIC MALE

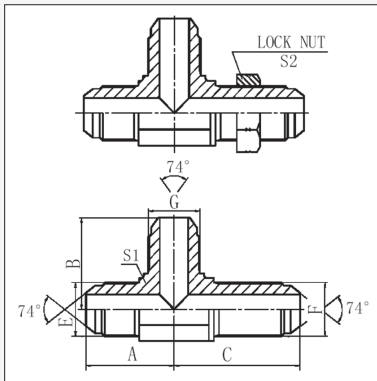


| Product Code | Thread | | | Dimensions mm | | | | | |
|---------------------------|--------------|--------------|--------------|---------------|------|------|----|----|------|
| | E (JIC) | F (JIC) | G (JIC) | A | B | C | S1 | S2 | P |
| CMA-07-07-07 ^a | 7/16" - 20 | 7/16" - 20 | 7/16" - 20 | 22.5 | 22.5 | 9 | 11 | 15 | 25.5 |
| CMA-08-08-08 | 1/2" - 20 | 1/2" - 20 | 1/2" - 20 | 24 | 24 | 9.5 | 14 | 17 | 27 |
| CMA-09-09-09 ^a | 9/16" - 18 | 9/16" - 18 | 9/16" - 18 | 27 | 27 | 10.5 | 14 | 19 | 32 |
| CMA-10-10-10 [†] | 5/8" - 18 | 5/8" - 18 | 5/8" - 18 | 30 | 30 | 11.3 | 16 | 22 | |
| CMA-12-12-09 | 3/4" - 16 | 3/4" - 16 | 9/16" - 18 | | | | | | |
| CMA-12-12-12 ^a | 3/4" - 16 | 3/4" - 16 | 3/4" - 16 | 31.5 | 31.5 | 9.5 | 19 | 24 | 35 |
| CMA-14-14-14 | 7/8" - 14 | 7/8" - 14 | 7/8" - 14 | 36.5 | 36.5 | 13 | 22 | 27 | 41 |
| CMA-17-17-17 | 1.1/16" - 12 | 1.1/16" - 12 | 1.1/16" - 12 | 42 | 42 | 15 | 27 | 32 | 44.5 |
| CMA-21-17-21 | 1.5/16" - 12 | 1.1/16" - 12 | 1.5/16" - 12 | | | | | | |
| CMA-21-21-17 | 1.5/16" - 12 | 1.5/16" - 12 | 1.1/16" - 12 | | | | | | |
| CMA-21-21-21 ^a | 1.5/16" - 12 | 1.5/16" - 12 | 1.5/16" - 12 | 46 | 46 | 16 | 33 | 41 | 51 |
| CMA-26-26-26 | 1.5/8" - 12 | 1.5/8" - 12 | 1.5/8" - 12 | 52 | 52 | 17 | 41 | 50 | 59 |
| CMA-30-30-30 | 1.7/8" - 12 | 1.7/8" - 12 | 1.7/8" - 12 | 59 | 59 | 20 | 48 | 55 | 66 |

[†] SAE Thread Form^a Also available with Imperial dimensioned hex nut. **Product Code CMAI**

CXA SERIES

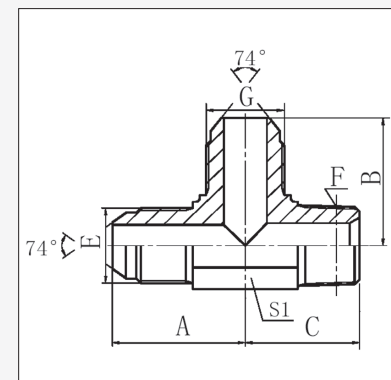
JIC MALE x JIC MALE BULKHEAD x JIC MALE



| Product Code | Thread | | | Dimensions mm | | | | | |
|--------------|--------------|--------------|--------------|---------------|------|------|----|----|--|
| | E (JIC) | F (JIC) | G (JIC) | A | B | C | S1 | S2 | |
| CXA-07-07-07 | 7/16" - 20 | 7/16" - 20 | 7/16" - 20 | 24.5 | 24.5 | 40.4 | 11 | 17 | |
| CXA-09-09-09 | 9/16" - 18 | 9/16" - 18 | 9/16" - 18 | 26.9 | 26.9 | 46 | 14 | 22 | |
| CXA-12-12-12 | 3/4" - 16 | 3/4" - 16 | 3/4" - 16 | 32 | 32 | 53.5 | 19 | 24 | |
| CXA-14-14-14 | 7/8" - 14 | 7/8" - 14 | 7/8" - 14 | 37.8 | 37.8 | 60.7 | 22 | 30 | |
| CXA-17-17-17 | 1.1/16" - 12 | 1.1/16" - 12 | 1.1/16" - 12 | 44.2 | 44.2 | 67.8 | 27 | 36 | |
| CXA-21-21-21 | 1.5/16" - 12 | 1.5/16" - 12 | 1.5/16" - 12 | 49 | 49 | 71 | 33 | 41 | |

CTA SERIES

JIC MALE x BSPT MALE x JIC MALE



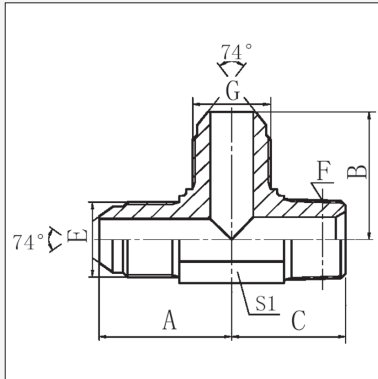
| Product Code | Thread | | | Dimensions mm | | | |
|--------------|--------------|-------------|--------------|---------------|------|------|----|
| | E (JIC) | F (BSPT) | G (JIC) | A | B | C | S1 |
| CTA-07-02-07 | 7/16" - 20 | 1/8" - 28 | 7/16" - 20 | 24.5 | 24.5 | 21 | 11 |
| CTA-07-04-07 | 7/16" - 20 | 1/4" - 19 | 7/16" - 20 | 26.6 | 26.6 | 25.5 | 14 |
| CTA-09-04-09 | 9/16" - 18 | 1/4" - 19 | 9/16" - 18 | 26.9 | 26.9 | 25.5 | 14 |
| CTA-09-06-09 | 9/16" - 18 | 3/8" - 19 | 9/16" - 18 | 28.5 | 28.5 | 28.5 | 16 |
| CTA-12-06-12 | 3/4" - 16 | 3/8" - 19 | 3/4" - 16 | 32 | 32 | 30.5 | 19 |
| CTA-12-08-12 | 3/4" - 16 | 1/2" - 14 | 3/4" - 16 | 34.8 | 34.8 | 36 | 22 |
| CTA-14-08-14 | 7/8" - 14 | 1/2" - 14 | 7/8" - 14 | 37.8 | 37.8 | 36 | 22 |
| CTA-17-12-17 | 1.1/16" - 12 | 3/4" - 14 | 1.1/16" - 12 | 44.2 | 44.2 | 43.5 | 27 |
| CTA-21-16-21 | 1.5/16" - 12 | 1" - 11 | 1.5/16" - 12 | 49 | 49 | 50 | 33 |
| CTA-26-20-26 | 1.5/8" - 12 | 1.1/4" - 11 | 1.5/8" - 12 | 55.5 | 55.5 | 56.5 | 41 |

This page is part of a complete catalogue containing technical and safety data.
All data must be reviewed when selecting a product.
Pirtek reserve the right to change technical specifications without notice



CTAN SERIES

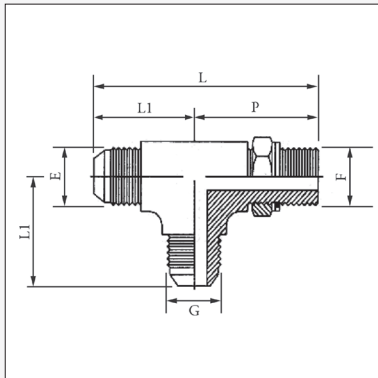
JIC MALE x NPT MALE x JIC MALE



| Product Code | Thread | | | Dimensions mm | | | |
|---------------|--------------|-----------|--------------|---------------|------|------|----|
| | E (JIC) | F (NPT) | G (JIC) | A | B | C | S1 |
| CTAN-07-02-07 | 7/16" - 20 | 1/8" - 27 | 7/16" - 20 | 24.5 | 24.5 | 21 | 11 |
| CTAN-09-04-09 | 9/16" - 18 | 1/4" - 18 | 9/16" - 18 | 26.9 | 26.9 | 25.5 | 14 |
| CTAN-12-06-12 | 3/4" - 16 | 3/8" - 18 | 3/4" - 16 | 32 | 32 | 31 | 19 |
| CTAN-12-08-12 | 3/4" - 16 | 1/2" - 14 | 3/4" - 16 | 34.8 | 34.8 | 36.7 | 22 |
| CTAN-17-12-17 | 1.1/16" - 12 | 3/4" - 14 | 1.1/16" - 12 | 44.2 | 44.2 | 44 | 27 |
| CTAN-21-16-21 | 1.5/16" - 12 | 1" - 11.5 | 1.5/16" - 12 | 49 | 49 | 50 | 33 |

CTP SERIES

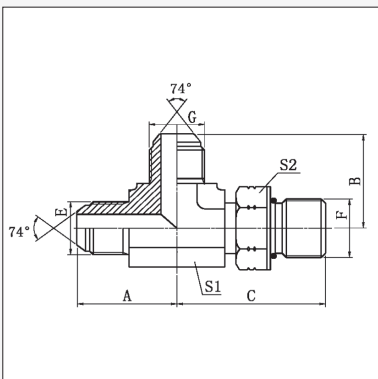
JIC MALE x BSPP MALE x JIC MALE



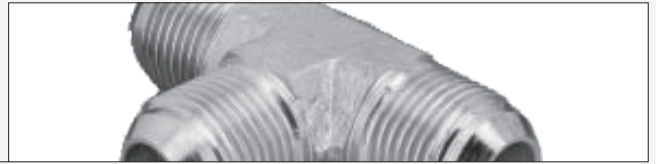
| Product Code | Thread | | | Dimensions mm | | |
|--------------|--------------|-----------|--------------|---------------|------|------|
| | E (JIC) | F (BSPP) | G (JIC) | L | L1 | P |
| CTP-07-04-07 | 7/16" - 20 | 1/4" - 19 | 7/16" - 20 | 54 | 27 | 31.5 |
| CTP-09-04-09 | 9/16" - 18 | 1/4" - 19 | 9/16" - 18 | 58 | 27 | 31 |
| CTP-09-06-09 | 9/16" - 18 | 3/8" - 19 | 9/16" - 18 | 57 | 28.5 | 36.5 |
| CTP-12-08-12 | 3/4" - 16 | 1/2" - 14 | 3/4" - 16 | 68 | 34 | 43 |
| CTP-14-08-14 | 7/8" - 14 | 1/2" - 14 | 7/8" - 14 | 81.8 | 37.8 | 44 |
| CTP-17-12-17 | 1.1/16" - 12 | 3/4" - 14 | 1.1/16" - 12 | 84 | 42 | 49 |
| CTP-21-16-21 | 1.5/16" - 12 | 1" - 11½ | 1.5/16" - 12 | 92 | 46 | 52 |

CYA SERIES

JIC MALE x UN'O' MALE x JIC MALE

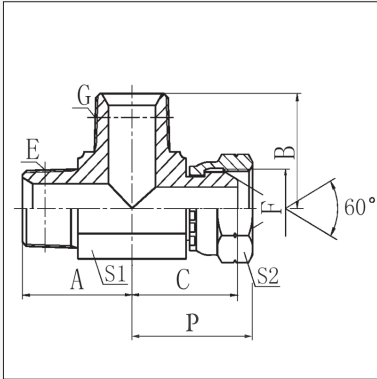


| Product Code | Thread | | | Dimensions mm | | | | |
|--------------|--------------|--------------|--------------|---------------|------|------|----|----|
| | E (JIC) | F (UN'O') | G (JIC) | A | B | C | S1 | S2 |
| CYA-07-07-07 | 7/16" - 20 | 7/16" - 20 | 7/16" - 20 | 24.5 | 24.5 | 27.2 | 11 | 17 |
| CYA-07-09-07 | 7/16" - 20 | 9/16" - 18 | 7/16" - 20 | 26.6 | 26.6 | 31.8 | 14 | 19 |
| CYA-08-08-08 | 1/2" - 20 | 1/2" - 20 | 1/2" - 20 | 26.6 | 26.6 | 29 | 14 | 17 |
| CYA-09-09-09 | 9/16" - 18 | 9/16" - 18 | 9/16" - 18 | 26.9 | 26.9 | 31.8 | 14 | 19 |
| CYA-12-12-12 | 3/4" - 16 | 3/4" - 16 | 3/4" - 16 | 33 | 33 | 36.8 | 19 | 24 |
| CYA-14-14-14 | 7/8" - 14 | 7/8" - 14 | 7/8" - 14 | 37.8 | 37.8 | 44 | 22 | 27 |
| CYA-17-17-17 | 1.1/16" - 12 | 1.1/16" - 12 | 1.1/16" - 12 | 44.2 | 44.2 | 51 | 27 | 32 |
| CYA-21-21-21 | 1.5/16" - 12 | 1.5/16" - 12 | 1.5/16" - 12 | 48.8 | 48.8 | 54.5 | 33 | 41 |
| CYA-26-26-26 | 1.5/8" - 12 | 1.5/8" - 12 | 1.5/8" - 12 | 55.3 | 55.3 | 59 | 41 | 50 |
| CYA-30-30-30 | 1.7/8" - 12 | 1.7/8" - 12 | 1.7/8" - 12 | 62.5 | 62.5 | 63 | 48 | 55 |



EPD / EPDP SERIES

BSP MALE x BSPP FEMALE x BSP MALE

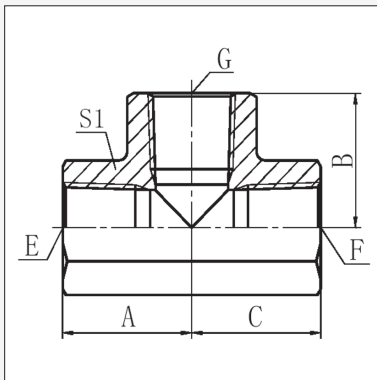


| Product Code | Thread | | | Dimensions mm | | | | | |
|----------------|-------------|-------------|-------------|---------------|------|------|----|----|----|
| | E (BSPT) | F (BSPP) | G (BSPT) | A | B | C | S1 | S2 | P |
| EPD-02-02-02 | 1/8" - 28 | 1/8" - 28 | 1/8" - 28 | 22.5 | 22.5 | | | | 32 |
| EPD-04-04-04 | 1/4" - 19 | 1/4" - 19 | 1/4" - 19 | 27 | 27 | 28.5 | 14 | 14 | 34 |
| EPDP-04-04-04† | 1/4" - 19 | 1/4" - 19 | 1/4" - 19 | 27 | 27 | 28.5 | 14 | 14 | 34 |
| EPD-06-06-06 | 3/8" - 19 | 3/8" - 19 | 3/8" - 19 | 29 | 29 | 30.7 | 16 | 16 | 37 |
| EPD-08-08-08 | 1/2" - 14 | 1/2" - 14 | 1/2" - 14 | 34 | 34 | 36.5 | 22 | 22 | 44 |
| EPD-12-12-12 | 3/4" - 14 | 3/4" - 14 | 3/4" - 14 | 41 | 41 | 44.1 | 27 | 27 | 55 |
| EPD-16-16-16 | 1" - 11 | 1" - 11 | 1" - 11 | 46 | 46 | 49.3 | 33 | 33 | 61 |
| EPD-20-20-20 | 1.1/4" - 11 | 1.1/4" - 11 | 1.1/4" - 11 | 51 | 51 | | | | 66 |

† All threads are BSPP for this adaptor

EPF SERIES

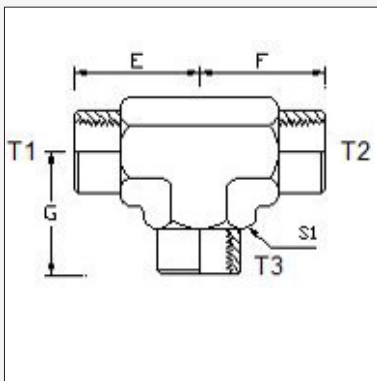
BSPT FEMALE x BSPT FEMALE x BSPT FEMALE



| Product Code | Thread | | | Dimensions mm | | | |
|--------------|-------------|-------------|-------------|---------------|------|------|----|
| | E (BSPT) | F (BSPT) | G (BSPT) | A | B | C | S1 |
| EPF-02-02-02 | 1/8" - 28 | 1/8" - 28 | 1/8" - 28 | 20 | 20 | 20 | 16 |
| EPF-04-04-04 | 1/4" - 19 | 1/4" - 19 | 1/4" - 19 | 22.5 | 22.5 | 22.5 | 19 |
| EPF-06-06-06 | 3/8" - 19 | 3/8" - 19 | 3/8" - 19 | 26 | 26 | 26 | 24 |
| EPF-08-08-08 | 1/2" - 14 | 1/2" - 14 | 1/2" - 14 | 31 | 31 | 31 | 27 |
| EPF-12-12-12 | 3/4" - 14 | 3/4" - 14 | 3/4" - 14 | 34 | 34 | 34 | 33 |
| EPF-16-16-16 | 1" - 11 | 1" - 11 | 1" - 11 | 42 | 42 | 42 | 41 |
| EPF-20-20-20 | 1.1/4" - 11 | 1.1/4" - 11 | 1.1/4" - 11 | 48 | 48 | 48 | 50 |
| EPF-24-24-24 | 1.1/2" - 11 | 1.1/2" - 11 | 1.1/2" - 11 | 53 | 53 | 53 | 60 |
| EPF-32-32-32 | 2" - 11 | 2" - 11 | 2" - 11 | 62 | 62 | 62 | 70 |

EPFG SERIES

BSPP FEMALE X FEMALE X FEMALE



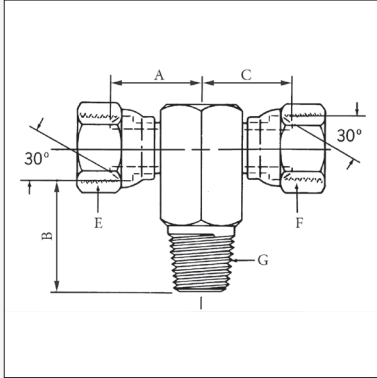
| Product code | Thread | | | Dimensions mm | | | |
|---------------|-----------|-----------|-----------|---------------|----|----|----|
| | T1 (BSPP) | T2 (BSPP) | T3 (BSPP) | E | F | G | S1 |
| EPFG-04-04-04 | 1/4" - 19 | 1/4" - 19 | 1/4" - 19 | 23 | 23 | 23 | 19 |
| EPFG-06-06-06 | 3/8" - 19 | 3/8" - 19 | 3/8" - 19 | 26 | 26 | 26 | 24 |
| EPFG-08-08-08 | 1/2" - 14 | 1/2" - 14 | 1/2" - 14 | 31 | 31 | 31 | 27 |

TEES



EPFFM SERIES

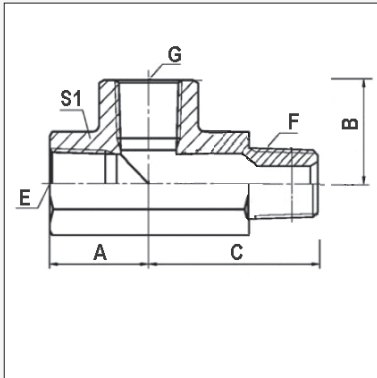
BSPP FEMALE_{SW} x BSPP FEMALE_{SW} x BSPT MALE



| Product Code | Thread | | | Dimensions mm | | | |
|----------------|-------------------------|-------------------------|-----------|---------------|------|------|--|
| | E (BSPP _{SW}) | F (BSPP _{SW}) | G (BSPT) | A | B | C | |
| EPFFM-04-04-04 | 1/4" - 19 | 1/4" - 19 | 1/4" - 19 | 23.1 | 31.2 | 23.1 | |
| EPFFM-06-06-06 | 3/8" - 19 | 3/8" - 19 | 3/8" - 19 | 27.7 | 38.9 | 27.7 | |
| EPFFM-08-08-08 | 1/2" - 14 | 1/2" - 14 | 1/2" - 14 | 25.4 | 46 | 25.4 | |
| EPFFM-12-12-12 | 3/4" - 14 | 3/4" - 14 | 3/4" - 14 | 34.5 | 51.6 | 34.5 | |
| EPFFM-16-16-16 | 1" - 11 | 1" - 11 | 1" - 11 | 34 | 60.5 | 34 | |

EPFLF SERIES

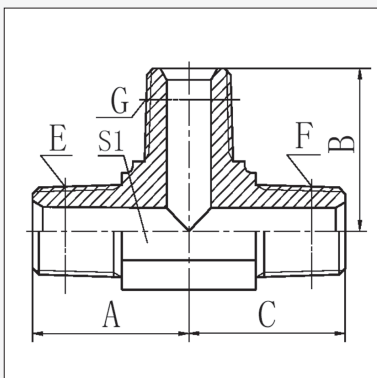
BSPT FEMALE x BSPT MALE x BSPT FEMALE



| Product Code | Thread | | | Dimensions mm | | | |
|----------------|-----------|-----------|-----------|---------------|----|------|----|
| | E (BSPT) | F (BSPT) | G (BSPT) | A | B | C | S1 |
| EPFLF-04-04-04 | 1/4" - 19 | 1/4" - 19 | 1/4" - 19 | 22 | 22 | 29 | 19 |
| EPFLF-06-06-06 | 3/8" - 19 | 3/8" - 19 | 3/8" - 19 | 26 | 26 | 31.5 | 22 |
| EPFLF-08-08-08 | 1/2" - 14 | 1/2" - 14 | 1/2" - 14 | 31 | 31 | 38 | 27 |

EPJ SERIES

BSPT MALE x BSPT MALE x BSPT MALE

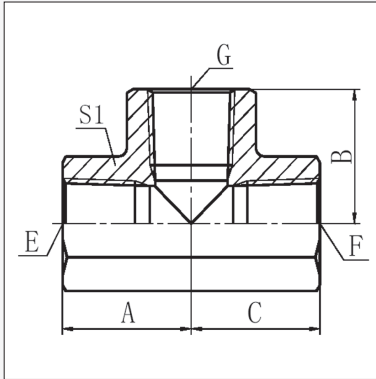


| Product Code | Thread | | | Dimensions mm | | | |
|--------------|-------------|-------------|-------------|---------------|------|------|----|
| | E (BSPT) | F (BSPT) | G (BSPT) | A | B | C | S1 |
| EPJ-02-02-02 | 1/8" - 28 | 1/8" - 28 | 1/8" - 28 | 21 | 21 | 21 | 11 |
| EPJ-04-04-04 | 1/4" - 19 | 1/4" - 19 | 1/4" - 19 | 25.5 | 25.5 | 25.5 | 14 |
| EPJ-06-06-06 | 3/8" - 19 | 3/8" - 19 | 3/8" - 19 | 28.5 | 28.5 | 28.5 | 16 |
| EPJ-08-08-08 | 1/2" - 14 | 1/2" - 14 | 1/2" - 14 | 36 | 36 | 36 | 22 |
| EPJ-12-12-12 | 3/4" - 14 | 3/4" - 14 | 3/4" - 14 | 43.5 | 43.5 | 43.5 | 27 |
| EPJ-16-16-16 | 1" - 11 | 1" - 11 | 1" - 11 | 50 | 50 | 50 | 33 |
| EPJ-20-20-20 | 1.1/4" - 11 | 1.1/4" - 11 | 1.1/4" - 11 | 57.5 | 57.5 | 57.5 | 41 |
| EPJ-24-24-24 | 1.1/2" - 11 | 1.1/2" - 11 | 1.1/2" - 11 | 62.5 | 62.5 | 62.5 | 48 |
| EPJ-32-32-32 | 2" - 11 | 2" - 11 | 2" - 11 | 75 | 75 | 75 | 63 |



EPK / EPKHD SERIES

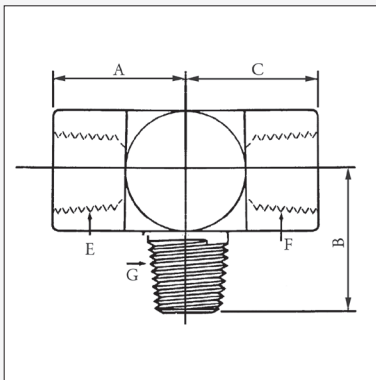
NPT FEMALE x NPT FEMALE x NPT FEMALE



| Product Code | Thread | | | Dimensions mm | | | |
|---|--------------|--------------|--------------|---------------|------|------|----|
| | E (NPT) | F (NPT) | G (NPT) | A | B | C | S1 |
| EPK-02-02-02 | 1/8" - 27 | 1/8" - 27 | 1/8" - 27 | 20 | 20 | 20 | 16 |
| EPK-04-04-04 | 1/4" - 18 | 1/4" - 18 | 1/4" - 18 | 22.5 | 22.5 | 22.5 | 19 |
| EPK-06-06-06 | 3/8" - 18 | 3/8" - 18 | 3/8" - 18 | 26 | 26 | 26 | 24 |
| EPK-08-08-08 | 1/2" - 14 | 1/2" - 14 | 1/2" - 14 | 31 | 31 | 31 | 27 |
| EPK-12-12-12 | 3/4" - 14 | 3/4" - 14 | 3/4" - 14 | 34 | 34 | 34 | 33 |
| EPK-16-16-16 | 1" - 11½ | 1" - 11½ | 1" - 11½ | 42 | 42 | 42 | 41 |
| EPK-20-20-20 | 1.1/4" - 11½ | 1.1/4" - 11½ | 1.1/4" - 11½ | | | | |
| HEAVY DUTY 10,000 PSI (700 BAR) HIGH PRESSURE SERIES | | | | | | | |
| EPKHD-04-04-04 | 1/4" - 18 | 1/4" - 18 | 1/4" - 18 | 22.5 | 22.5 | 22.5 | 24 |
| EPKHD-06-06-06 | 3/8" - 18 | 3/8" - 18 | 3/8" - 18 | 22.5 | 22.5 | 22.5 | 27 |

EPKKL SERIES

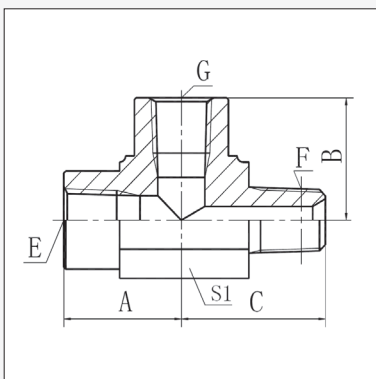
NPT FEMALE x NPT FEMALE x NPT MALE



| Product Code | Thread | | | Dimensions mm | | | |
|----------------|-----------|-----------|-----------|---------------|------|------|--|
| | E (NPT) | F (NPT) | G (NPT) | A | B | C | |
| EPKKL-04-04-04 | 1/4" - 18 | 1/4" - 18 | 1/4" - 18 | 22.4 | 27.7 | 22.4 | |

EPKLK SERIES

NPT FEMALE x NPT MALE x NPT FEMALE

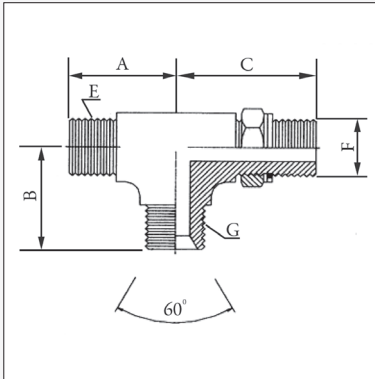


| Product Code | Thread | | | Dimensions mm | | | |
|----------------|--------------|--------------|--------------|---------------|----|------|----|
| | E (NPT) | F (NPT) | G (NPT) | A | B | C | S1 |
| EPKLK-02-02-02 | 1/8" - 27 | 1/8" - 27 | 1/8" - 27 | 20 | 20 | 24.5 | 16 |
| EPKLK-04-04-04 | 1/4" - 18 | 1/4" - 18 | 1/4" - 18 | 25 | 25 | 28.5 | 19 |
| EPKLK-06-06-06 | 3/8" - 18 | 3/8" - 18 | 3/8" - 18 | 27 | 27 | 33.5 | 24 |
| EPKLK-08-08-08 | 1/2" - 14 | 1/2" - 14 | 1/2" - 14 | 35 | 35 | 42.5 | 30 |
| EPKLK-12-12-12 | 3/4" - 14 | 3/4" - 14 | 3/4" - 14 | 37 | 37 | 45.2 | 33 |
| EPKLK-16-16-16 | 1" - 11½ | 1" - 11½ | 1" - 11½ | 41 | 44 | 54.7 | 41 |
| EPKLK-20-20-20 | 1.1/4" - 11½ | 1.1/4" - 11½ | 1.1/4" - 11½ | 48 | 48 | 58.5 | 48 |



EPP SERIES

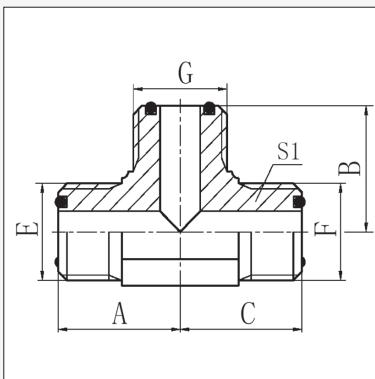
BSPT MALE x BSPP MALE x BSPT MALE



| Product Code | Thread | | | Dimensions mm | | | |
|--------------|-----------|-----------|-----------|---------------|----|------|--|
| | E (BSPT) | F (BSPP) | G (BSPT) | A | B | C | |
| EPP-04-04-04 | 1/4" - 19 | 1/4" - 19 | 1/4" - 19 | 27 | 27 | 31.5 | |

FF1220 SERIES

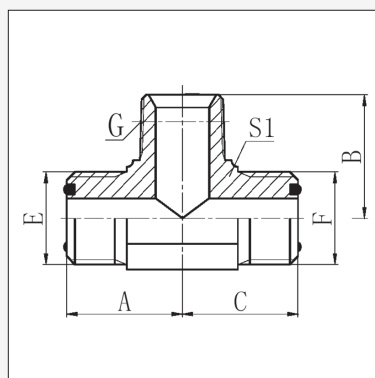
ORFS MALE x ORFS MALE x ORFS MALE



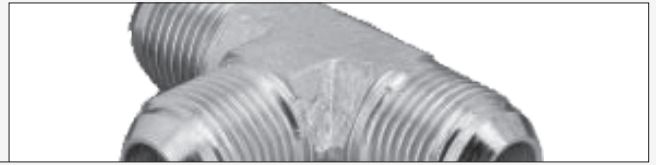
| Product Code | Thread | | | Dimensions mm | | | |
|---------------|---------------|---------------|---------------|---------------|------|------|----|
| | E (ORFS) | F (ORFS) | G (ORFS) | A | B | C | S1 |
| FF1220-040404 | 9/16" - 18 | 9/16" - 18 | 9/16" - 18 | 23 | 23 | 23 | 14 |
| FF1220-060606 | 11/16" - 16 | 11/16" - 16 | 11/16" - 16 | 27 | 27 | 27 | 19 |
| FF1220-080808 | 13/16" - 16 | 13/16" - 16 | 13/16" - 16 | 31 | 31 | 31 | 22 |
| FF1220-101010 | 1" - 14 | 1" - 14 | 1" - 14 | 36.5 | 36.5 | 36.5 | 27 |
| FF1220-121212 | 1.3/16" - 12 | 1.3/16" - 12 | 1.3/16" - 12 | 40.3 | 40.3 | 40.3 | 30 |
| FF1220-161616 | 1.7/16" - 12 | 1.7/16" - 12 | 1.7/16" - 12 | 44.5 | 44.5 | 44.5 | 36 |
| FF1220-202020 | 1.11/16" - 12 | 1.11/16" - 12 | 1.11/16" - 12 | 47.5 | 47.5 | 47.5 | 41 |
| FF1220-242424 | 2" - 12 | 2" - 12 | 2" - 12 | 53.5 | 53.5 | 53.5 | 50 |

FF1221 SERIES

ORFS MALE x ORFS MALE x NPT MALE

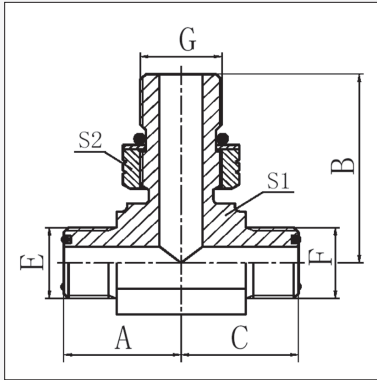


| Product Code | Thread | | | Dimensions mm | | | |
|---------------|-------------|-------------|---------------|---------------|------|------|----|
| | E (ORFS) | F (ORFS) | G (NPT) | A | B | C | S1 |
| FF1221-040404 | 9/16" - 18 | 9/16" - 18 | 1/4" - 18 | 23 | 25.5 | 23 | 14 |
| FF1221-060606 | 11/16" - 16 | 11/16" - 16 | 3/8" - 18 | 27 | 31 | 27 | 19 |
| FF1221-080806 | 13/16" - 16 | 13/16" - 16 | 3/8" - 18 | 31 | 33.5 | 31 | 22 |
| FF1221-101008 | 1" - 14 | 1" - 14 | 1/2" - 14 | 36.5 | 40 | 36.5 | 27 |
| FF1221-242424 | 2" - 12 | 2" - 12 | 1.1/2" - 11.5 | 53.5 | 64.5 | 53.5 | 50 |



FF1265 SERIES

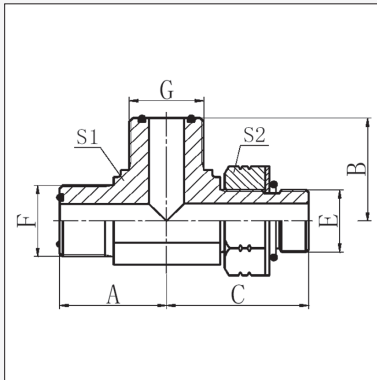
ORFS MALE x ORFS MALE x UN'O' MALE



| Product Code | Thread | | | Dimensions mm | | | | |
|---------------|--------------|--------------|--------------|---------------|------|------|----|----|
| | E (ORFS) | F (ORFS) | G (UN'O') | A | B | C | S1 | S2 |
| FF1265-040404 | 9/16" - 18 | 9/16" - 18 | 7/16" - 20 | 23 | 30.3 | 23 | 14 | 17 |
| FF1265-060606 | 11/16" - 16 | 11/16" - 16 | 9/16" - 18 | 27.5 | 35.5 | 27.5 | 19 | 19 |
| FF1265-080808 | 13/16" - 16 | 13/16" - 16 | 3/4" - 16 | 31 | 40.5 | 31 | 22 | 24 |
| FF1265-101010 | 1" - 14 | 1" - 14 | 7/8" - 14 | 36.5 | 50.8 | 36.5 | 27 | 27 |
| FF1265-121212 | 1.3/16" - 12 | 1.3/16" - 12 | 1.1/16" - 12 | 40.3 | 55.3 | 40.3 | 30 | 32 |
| FF1265-161616 | 1.7/16" - 12 | 1.7/16" - 12 | 1.5/16" - 12 | 44.5 | 59.3 | 44.5 | 36 | 41 |

FF1266 SERIES

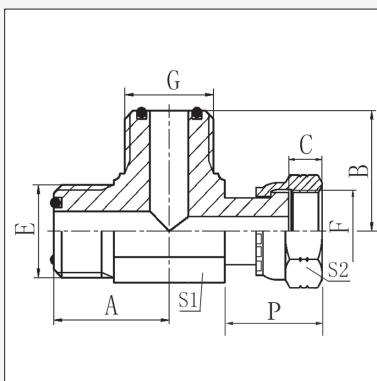
UN'O' MALE x ORFS MALE x ORFS MALE



| Product Code | Thread | | | Dimensions mm | | | | |
|---------------|--------------|---------------|---------------|---------------|------|------|------|------|
| | E (UN'O') | F (ORFS) | G (ORFS) | A | B | C | S1 | S2 |
| FF1266-040404 | 7/16" - 20 | 9/16" - 18 | 9/16" - 18 | 23 | 23 | 30 | 14 | 17 |
| FF1266-060606 | 9/16" - 18 | 11/16" - 16 | 11/16" - 16 | 27.5 | 27.5 | 35.5 | 19 | 19 |
| FF1266-080808 | 3/4" - 16 | 13/16" - 16 | 13/16" - 16 | 31 | 31 | 40.5 | 22 | 24 |
| FF1266-101010 | 7/8" - 14 | 1" - 14 | 1" - 14 | 36.5 | 36.5 | 50.8 | 27 | 27 |
| FF1266-121212 | 1.1/16" - 12 | 1.3/16" - 12 | 1.3/16" - 12 | 40.3 | 40.3 | 55.3 | 30 | 32 |
| FF1266-161616 | 1.5/16" - 12 | 1.7/16" - 12 | 1.7/16" - 12 | 44.5 | 44.5 | 59.3 | 36 | 41 |
| FF1266-202020 | 1.5/8" - 12 | 1.11/16" - 12 | 1.11/16" - 12 | 47.5 | 46.7 | 59.7 | 40.8 | 50.0 |
| FF1266-242424 | 1.7/8" - 12 | 2" - 12 | 2" - 12 | 46 | 47.6 | 64 | 50.8 | 53.9 |

FF1248 SERIES

ORFS MALE x ORFS FEMALE x ORFS MALE



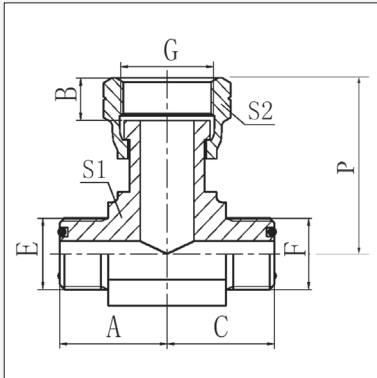
| Product Code | Thread | | | Dimensions mm | | | | | |
|---------------|---------------|---------------|---------------|---------------|------|------|----|----|----|
| | E (ORFS) | F (ORFS) | G (ORFS) | A | B | C | S1 | S2 | P |
| FF1248-040404 | 9/16" - 18 | 9/16" - 18 | 9/16" - 18 | 23 | 23 | 8.5 | 14 | 19 | 37 |
| FF1248-060606 | 11/16" - 16 | 11/16" - 16 | 11/16" - 16 | 27.5 | 27.5 | 10 | 19 | 22 | 42 |
| FF1248-080808 | 13/16" - 16 | 13/16" - 16 | 13/16" - 16 | 31 | 31 | 11 | 22 | 27 | 54 |
| FF1248-101010 | 1" - 14 | 1" - 14 | 1" - 14 | 36.5 | 36.5 | 13.5 | 27 | 30 | 59 |
| FF1248-121212 | 1.3/16" - 12 | 1.3/16" - 12 | 1.3/16" - 12 | 40.3 | 40.3 | 15 | 30 | 36 | 66 |
| FF1248-161616 | 1.7/16" - 12 | 1.7/16" - 12 | 1.7/16" - 12 | 44.5 | 44.5 | 15 | 36 | 41 | 74 |
| FF1248-202020 | 1.11/16" - 12 | 1.11/16" - 12 | 1.11/16" - 12 | 47.5 | 47.5 | 15 | 41 | 50 | 79 |
| FF1248-242424 | 2" - 12 | 2" - 12 | 2" - 12 | 53.5 | 53.5 | 15 | 50 | 60 | 83 |

TEES



FF1227 SERIES

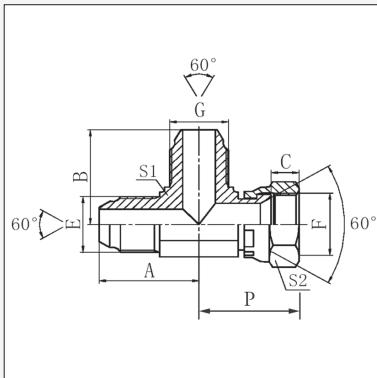
ORFS MALE x ORFS MALE x ORFS FEMALE



| Product Code | Thread | | | Dimensions mm | | | | | |
|---------------|---------------|---------------|---------------|---------------|------|------|----|----|----|
| | E (ORFS) | F (ORFS) | G (ORFS) | A | B | C | S1 | S2 | P |
| FF1227-040404 | 9/16" - 18 | 9/16" - 18 | 9/16" - 18 | 23 | 8.5 | 23 | 14 | 19 | 37 |
| FF1227-060606 | 11/16" - 16 | 11/16" - 16 | 11/16" - 16 | 27.5 | 10 | 27.5 | 19 | 22 | 42 |
| FF1227-080808 | 13/16" - 16 | 13/16" - 16 | 13/16" - 16 | 31 | 11 | 31 | 22 | 27 | 54 |
| FF1227-101010 | 1" - 14 | 1" - 14 | 1" - 14 | 36.5 | 13.5 | 36.5 | 27 | 30 | 59 |
| FF1227-121212 | 1.3/16" - 12 | 1.3/16" - 12 | 1.3/16" - 12 | 40.3 | 15 | 40.3 | 30 | 36 | 66 |
| FF1227-161616 | 1.7/16" - 12 | 1.7/16" - 12 | 1.7/16" - 12 | 44.5 | 15 | 44.5 | 36 | 41 | 74 |
| FF1227-202020 | 1.11/16" - 12 | 1.11/16" - 12 | 1.11/16" - 12 | 47.5 | 15 | 47.5 | 41 | 50 | 79 |
| FF1227-242424 | 2" - 12 | 2" - 12 | 2" - 12 | 53.5 | 15 | 53.5 | 50 | 60 | 83 |

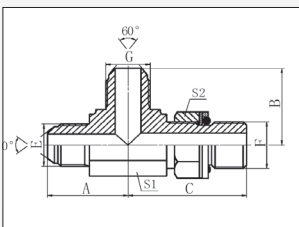
KMA SERIES

METRIC JIS MALE x JIS FEMALE x JIS MALE



| Product Code | Thread | | | Dimensions mm | | | | | |
|--------------|------------|------------|------------|---------------|------|------|----|----|----|
| | E (JISMet) | F (JISMet) | G (JISMet) | A | B | C | S1 | S2 | P |
| KMA-14-14-14 | M14 -1.5 | M14 -1.5 | M14 -1.5 | 26.5 | 26.5 | 10.5 | 14 | 19 | 32 |
| KMA-16-16-16 | M16 -1.5 | M16 -1.5 | M16 -1.5 | 29.5 | 29.5 | 10 | 16 | 22 | 33 |
| KMA-18-18-18 | M18 -1.5 | M18 -1.5 | M18 -1.5 | 30.8 | 30.8 | 11.5 | 19 | 24 | 35 |
| KMA-22-22-22 | M22 -1.5 | M22 -1.5 | M22 -1.5 | 35.5 | 35.5 | 14 | 22 | 27 | 41 |

KYA SERIES METRIC JIS MALE x METRIC O-RING MALE x JIS MALE



| Product Code | Thread | | | Dimensions mm | | | | | |
|--------------|------------|------------|------------|---------------|------|------|----|----|--|
| | E (JISMet) | F (METRIC) | G (JISMet) | A | B | C | S1 | S2 | |
| KYA-14-14-20 | M14 -1.5 | M14 -1.5 | M20 -1.5 | 30 | 30 | 37 | 19 | 27 | |
| KYA-18-18-14 | M18 -1.5 | M18 -1.5 | M14 -1.5 | 30.5 | 30.5 | 35.5 | 19 | 19 | |
| KYA-22-22-20 | M22 -1.5 | M22 -1.5 | M20 -1.5 | 45.5 | | 40 | 22 | 27 | |
| KYA-22-22-22 | M22 -1.5 | M22 -1.5 | M22 -1.5 | 45.5 | 45.5 | 40 | 22 | 27 | |

TEES / TEST POINT/
CROSS ADAPTORS

TEST POINT ADAPTORS

MFBB BSP In-Line Test Point Adaptor

| Product Code | BSPT MALE ① | BSP FEMALE ② | BSPT FEMALE ③ |
|---------------|-------------|--------------|---------------|
| MFBB-04-04-02 | 1/4" - 19 | 1/4" - 19 | 1/8" |
| MFBB-06-06-02 | 3/8" - 19 | 3/8" - 19 | 1/8" - 28 |
| MFBB-08-08-02 | 1/2" - 14 | 1/2" - 14 | 1/8" - 28 |
| MFBB-12-12-02 | 3/4" - 14 | 3/4" - 14 | 1/8" - 28 |
| MFBB-16-16-02 | 1" - 11 | 1" - 16 | 1/8" - 28 |

Note :- that the Test Point is installed via a 1/8" BSPT port & is ordered separately

MFFB ORFS In-Line Test Point Adaptor

| Product Code | ORFS MALE ① | ORFS FEMALE ② | BSPT FEMALE ③ |
|---------------|--------------|---------------|---------------|
| MFFB-04-04-02 | 9/16" - 18 | 9/16" - 18 | 1/8" - 28 |
| MFFB-06-06-02 | 11/16" - 16 | 11/16" - 16 | 1/8" - 28 |
| MFFB-08-08-02 | 13/16" - 16 | 13/16" - 16 | 1/8" - 28 |
| MFFB-10-10-02 | 1" - 14 | 1" - 14 | 1/8" - 28 |
| MFFB-12-12-02 | 1.3/16" - 12 | 1.3/16" - 12 | 1/8" - 28 |
| MFFB-16-16-02 | 1.7/16" - 12 | 1.7/16" - 12 | 1/8" - 28 |

Note:- that the Test Point is installed via a 1/8" BSPT port & is ordered separately

MFJB JIC In-Line Test Point Adaptor

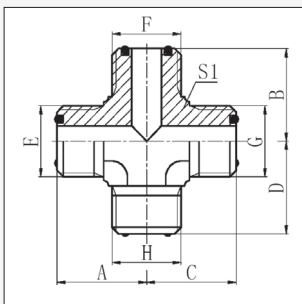
| Product Code | JIC MALE ① | JIC FEMALE ② | BSPT FEMALE ③ |
|---------------|--------------|--------------|---------------|
| MFJB-07-07-02 | 7/16" - 20 | 7/16" - 20 | 1/8" - 28 |
| MFJB-09-09-02 | 9/16" - 18 | 9/16" - 18 | 1/8" - 28 |
| MFJB-12-12-02 | 3/4" - 16 | 3/4" - 16 | 1/8" - 28 |
| MFJB-14-14-02 | 7/8" - 14 | 7/8" - 14 | 1/8" - 28 |
| MFJB-17-17-02 | 1.1/16" - 12 | 1.1/16" - 12 | 1/8" - 28 |
| MFJB-21-21-02 | 1.5/16" - 12 | 1.5/16" - 12 | 1/8" - 28 |

Note:- that the Test Point is installed via a 1/8" BSPT port & is ordered separately

MFJU JIC In-Line Test Point (UNO) Adaptor

| Product Code | JIC MALE ① | JIC FEMALE ② | UNO FEMALE ③ |
|---------------|--------------|--------------|--------------|
| MFJU-07-07-07 | 7/16" - 20 | 7/16" - 20 | 7/16" - 20 |
| MFJU-09-09-07 | 9/16" - 18 | 9/16" - 18 | 7/16" - 20 |
| MFJU-12-12-07 | 3/4" - 16 | 3/4" - 16 | 7/16" - 20 |
| MFJU-14-14-07 | 7/8" - 14 | 7/8" - 14 | 7/16" - 20 |
| MFJU-17-17-07 | 1.1/16" - 12 | 1.1/16" - 12 | 7/16" - 20 |
| MFJU-21-21-07 | 1.5/16" - 12 | 1.5/16" - 12 | 7/16" - 20 |

Note:- that the test point is installed via a 7/16" UNO port & is ordered separately

FF1229 SERIES 4-WAY EQUAL ORFS MALE

| Product Code | Thread | Dimensions mm | | | | |
|-----------------|-------------------|---------------|------|------|------|----|
| | E, F, G, H (ORFS) | A | B | C | D | S1 |
| FF1229-04040404 | 9/16" - 18 | 23 | 23 | 23 | 23 | 14 |
| FF1229-06060606 | 11/16" - 16 | 27 | 27 | 27 | 27 | 19 |
| FF1229-08080808 | 13/16" - 16 | 31 | 31 | 31 | 31 | 22 |
| FF1229-10101010 | 1" - 14 | 36.5 | 36.5 | 36.5 | 36.5 | 27 |
| FF1229-12121212 | 1.3/16" - 12 | 40.3 | 40.3 | 40.3 | 40.3 | 30 |
| FF1229-16161616 | 1.7/16" - 12 | 44.5 | 44.5 | 44.5 | 44.5 | 36 |

This page is part of a complete catalogue containing technical and safety data.
All data must be reviewed when selecting a product.
Pirtek reserve the right to change technical specifications without notice

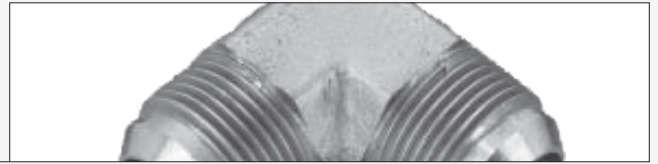


SECTION 3 90° ELBOWS

PAGE

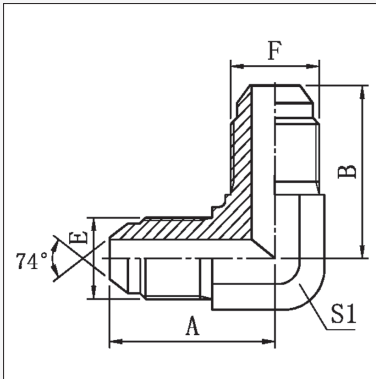
| | | | |
|-------------------|----------------------------|---------------------|-------------|
| CAA | JIC x JIC | M / M | D 32 |
| CAB / CABI | JIC x JIC | M / F _{SW} | D 32 |
| CAH | JIC BULKHEAD | M / M | D 32 |
| CMJ | METRIC x JIC | M / M | D33 |
| CEA | UN`O´ x JIC | M / M | D 33 |
| CEAS | UN`O´ SWIVEL x JIC | M / M | D 34 |
| CED | UN`O´ x BSPP | M / F _{SW} | D 34 |
| CEPN | UN`O´ x NPT FIXED | M / F | D 34 |
| CEJ | UN`O´ x BSPT | M / M | D 35 |
| CFA | BSPP x JIC | M / M | D 35 |
| CFJ | BSPP x BSPT | M / M | D 36 |
| CLA | BSPT FIXED x JIC | F / M | D 36 |
| CLAN | NPT FIXED x JIC | F / M | D 37 |
| CLF | NPTF x NPTF LOW PROFILE | M / F | D 37 |
| CLJ | BSPT x BSPT FIXED | M / F | D 37 |
| CLJN | NPT x NPT FIXED | M / F | D 38 |
| CLP | BSPT FIXED x BSPT FIXED | F / F | D 38 |
| CLPN | NPT FIXED x NPT FIXED | F / F | D 38 |
| CSA | UN`O´ EXTENDED x JIC | M / M | D 39 |
| CVA | BSPT x JIC | M / M | D 39 |
| CVAN | NPT x JIC | M / M | D 40 |
| CVD | BSPT x BSPP | M / F _{SW} | D 41 |
| CVDN | NPT x NPSM | M / F _{SW} | D 42 |
| CVDPA | BSPP x BSPP | M / F _{SW} | D 42 |
| CVE | BSPT x SAE | M / M | D 42 |
| CVF | BSPT x JIC | M / F _{SW} | D 43 |
| CVJ / CVJN | BSPT x BSPT / NPT x NPT | M / M | D 43 |
| FF1208 | ORFS x NPT | M / M | D 44 |
| FF1236 | ORFS x ORFS | M / F _{SW} | D 44 |
| FF1238 | ORFS x UN`O´ | M / M | D 45 |
| FF1239 | UN`O´ x ORFS | M / F _{SW} | D 45 |
| FF1291 | BSPP x ORFS | M / M | D 46 |
| CVDJ | JIS BSP x JIS BSP | M / F | D 46 |
| KAB | JIS MET x JIS MET | M / F _{SW} | D 46 |
| KEA | JIS MET x JIS MET `O´ RING | M / M | D 47 |

90° ELBOWS



CAA SERIES

JIC MALE x JIC MALE

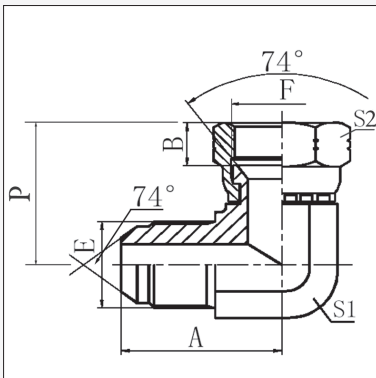


| Product Code | Thread | | Dimensions mm | | | |
|--------------|--------------|--------------|---------------|------|----|--|
| | E (JIC) | F (JIC) | A | B | S1 | |
| CAA-07-07 | 7/16" - 20 | 7/16" - 20 | 24.5 | 24.5 | 11 | |
| CAA-08-08 | 1/2" - 20 | 1/2" - 20 | 26.6 | 26.6 | 14 | |
| CAA-09-09 | 9/16" - 18 | 9/16" - 18 | 26.9 | 26.9 | 14 | |
| CAA-10-10 † | 5/8" - 18 | 5/8" - 18 | | | | |
| CAA-12-12 | 3/4" - 16 | 3/4" - 16 | 32 | 32 | 19 | |
| CAA-14-12 | 7/8" - 14 | 3/4" - 16 | 37.8 | 34.8 | 22 | |
| CAA-14-14 | 7/8" - 14 | 7/8" - 14 | 37.8 | 37.8 | 22 | |
| CAA-17-14 | 1.1/16" - 12 | 7/8" - 14 | 44.2 | 41 | 27 | |
| CAA-17-17 | 1.1/16" - 12 | 1.1/16" - 12 | 44.2 | 44.2 | 27 | |
| CAA-21-17 | 1.5/16" - 12 | 1.1/16" - 12 | 49 | 44.2 | 33 | |
| CAA-21-21 | 1.5/16" - 12 | 1.5/16" - 12 | 49 | 49 | 33 | |
| CAA-26-26 | 1.5/8" - 12 | 1.5/8" - 12 | 55.5 | 55.5 | 41 | |
| CAA-30-30 | 1.7/8" - 12 | 1.7/8" - 12 | 62.5 | 62.5 | 48 | |

† SAE Thread Form

CAB SERIES

JIC MALE x JIC FEMALE



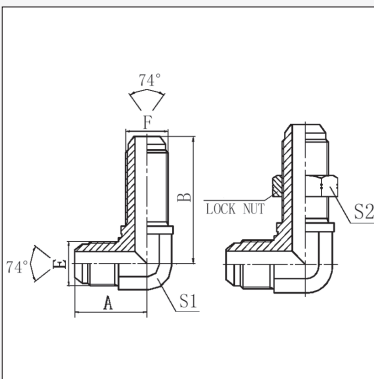
| Product Code | Thread | | Dimensions mm | | | | |
|------------------------|--------------|--------------|---------------|------|----|----|------|
| | E (JIC) | F (JIC) | A | B | S1 | S2 | P |
| CAB-07-07 ^a | 7/16" - 20 | 7/16" - 20 | 22.5 | 9 | 11 | 15 | 25.5 |
| CAB-08-08 | 1/2" - 20 | 1/2" - 20 | 24 | 9.5 | 14 | 17 | 27 |
| CAB-09-09 ^a | 9/16" - 18 | 9/16" - 18 | 27 | 10.5 | 14 | 19 | 32 |
| CAB-10-10 † | 5/8" - 18 | 5/8" - 18 | 30 | 11.3 | 16 | 22 | |
| CAB-12-12 ^a | 3/4" - 16 | 3/4" - 16 | 31.5 | 11 | 19 | 24 | 35 |
| CAB-14-14 | 7/8" - 14 | 7/8" - 14 | 36.5 | 13 | 22 | 27 | 41 |
| CAB-17-14 | 1.1/16" - 12 | 7/8" - 14 | 43 | 12.5 | 27 | 27 | 42 |
| CAB-17-17 | 1.1/16" - 12 | 1.1/16" - 12 | 42 | 15 | 27 | 32 | 44.5 |
| CAB-19-19 | 1.3/16" - 12 | 1.3/16" - 12 | 44 | 15 | 30 | 36 | 48 |
| CAB-21-21 ^a | 1.5/16" - 12 | 1.5/16" - 12 | 46 | 16 | 33 | 41 | 51 |
| CAB-26-26 | 1.5/8" - 12 | 1.5/8" - 12 | 52 | 17 | 41 | 50 | 59 |
| CAB-30-30 | 1.7/8" - 12 | 1.7/8" - 12 | 59 | 20 | 48 | 55 | 66 |
| CAB-40-40 | 2.1/2"-12 | 2.1/2"-12 | 75.5 | 24.5 | 63 | 75 | |

† SAE Thread Form

^a Also available with Imperial dimensioned hex nut. **Product Code CAB1**

CAH SERIES

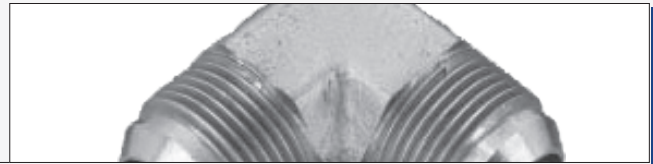
JIC MALE x JIC MALE BULKHEAD



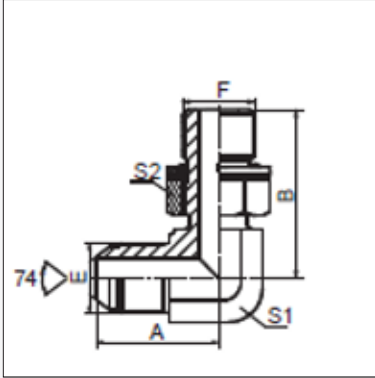
| Product Code | Thread | | Dimensions mm | | | |
|--------------|--------------|--------------|---------------|------|----|----|
| | E (JIC) | F (JIC) | A | B | S1 | S2 |
| CAH-07-07 | 7/16" - 20 | 7/16" - 20 | 24.5 | 40.4 | 11 | 17 |
| CAH-09-09 | 9/16" - 18 | 9/16" - 18 | 27.7 | 46 | 14 | 22 |
| CAH-10-10 † | 5/8" - 18 | 5/8" - 18 | 30.5 | 54.5 | 19 | 24 |
| CAH-12-12 | 3/4" - 16 | 3/4" - 16 | 34.5 | 53.5 | 19 | 24 |
| CAH-14-14 | 7/8" - 14 | 5/8" - 18 | 39.6 | 60.7 | 22 | 30 |
| CAH-17-17 | 1.1/16" - 12 | 9/16" - 18 | 45.2 | 67.8 | 27 | 36 |
| CAH-21-21 | 1.5/16" - 12 | 1.5/16" - 12 | 50 | 71 | 33 | 41 |
| CAH-26-26 | 1.5/8" - 12 | 1.5/8" - 12 | 57.5 | 79.2 | 41 | 50 |

This page is part of a complete catalogue containing technical and safety data.
All data must be reviewed when selecting a product.
Pirtek reserve the right to change technical specifications without notice

90° ELBOWS

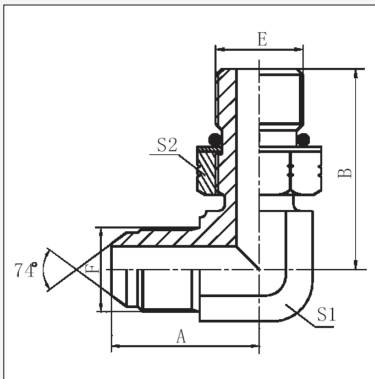


CMJ SERIES METRIC MALE x JIC MALE



| Product Code | Thread | | Dimensions mm | | | |
|--------------|------------|------------|---------------|------|----|----|
| | F (METRIC) | E (JIC) | A | B | S1 | S2 |
| CMJ-12-07 | M12X1.5 | 7/16"X20 | 24.5 | 30.3 | 11 | 17 |
| CMJ-14-09 | M14X1.5 | 9/16"X18 | 26.9 | 32 | 14 | 19 |
| CMJ-18-09 | M18X1.5 | 9/16"X18 | 30 | 37 | 19 | 24 |
| CMJ-18-12 | M18x1.5 | 3/4"x16 | 32 | 37 | 19 | 24 |
| CMJ-22-12 | M22X1.5 | 3/4"X16 | 34.8 | 40.2 | 22 | 27 |
| CMJ-22-14 | M22X1.5 | 7/8"X14 | 38 | 42.5 | 22 | 27 |
| CMJ-27-17 | M27X2 | 1.1/16"X12 | 44.2 | 48.5 | 27 | 32 |

CEA SERIES UN'O' MALE x JIC MALE



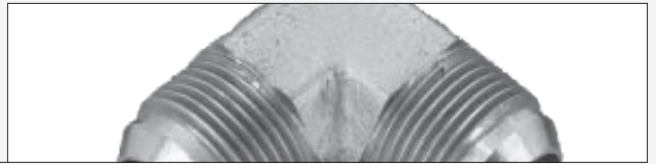
| Product Code | Thread | | Dimensions mm | | | |
|--------------|--------------|--------------|---------------|------|----|----|
| | E (UN'O') | F (JIC) | A | B | S1 | S2 |
| CEA-07-07 | 7/16" - 20 | 7/16" - 20 | 24.5 | 27.2 | 11 | 17 |
| CEA-07-09 | 7/16" - 20 | 9/16" - 18 | 26.9 | 30 | 14 | 17 |
| CEA-08-08 | 1/2" - 20 | 1/2" - 20 | 26.6 | 29 | 14 | 17 |
| CEA-08-09 | 1/2" - 20 | 9/16" - 18 | 26.9 | 29.9 | 14 | 17 |
| CEA-09-07 | 9/16" - 18 | 7/16" - 20 | 26.6 | 31.8 | 14 | 19 |
| CEA-09-09 | 9/16" - 18 | 9/16" - 18 | 26.9 | 31.8 | 14 | 19 |
| CEA-09-10 | 9/16" - 18 | 5/8" - 18 † | | | | |
| CEA-09-12 | 9/16" - 18 | 3/4" - 16 | 33 | 33.5 | 19 | 19 |
| CEA-12-09 | 3/4" - 16 | 9/16" - 18 | 30 | 36.8 | 19 | 24 |
| CEA-12-12 | 3/4" - 16 | 3/4" - 16 | 33 | 36.8 | 19 | 24 |
| CEA-12-14 | 3/4" - 16 | 7/8" - 14 | 38 | 40 | 22 | 27 |
| CEA-12-17 | 3/4" - 16 | 1.1/16" - 12 | 45 | 44 | 27 | 24 |
| CEA-14-09 | 7/8" - 14 | 9/16" - 18 | 32 | 44 | 22 | 27 |
| CEA-14-12 | 7/8" - 14 | 3/4" - 16 | 34.8 | 44 | 22 | 27 |
| CEA-14-14 | 7/8" - 14 | 7/8" - 14 | 37.8 | 44 | 22 | 27 |
| CEA-14-17 | 7/8" - 14 | 1.1/16" - 12 | 44.2 | 47 | 27 | 27 |
| CEA-17-09 | 1.1/16" - 12 | 9/16" - 18 | 35.5 | 51 | 27 | 32 |
| CEA-17-12 | 1.1/16" - 12 | 3/4" - 16 | 37.9 | 51 | 27 | 32 |
| CEA-17-14 | 1.1/16" - 12 | 7/8" - 14 | 41 | 51 | 27 | 32 |
| CEA-17-17 | 1.1/16" - 12 | 1.1/16" - 12 | 44.2 | 51 | 27 | 32 |
| CEA-17-19 | 1.1/16" - 12 | 1.3/16" - 12 | | | | |
| CEA-17-21 | 1.1/16" - 12 | 1.5/16" - 12 | 48.8 | 54.5 | 33 | 32 |
| CEA-19-19 | 1.3/16" - 12 | 1.3/16" - 12 | 47.5 | 53 | 30 | 36 |
| CEA-21-17 | 1.5/16" - 12 | 1.1/16" - 12 | 47.8 | 54.5 | 33 | 41 |
| CEA-21-21 | 1.5/16" - 12 | 1.5/16" - 12 | 48.8 | 54.5 | 33 | 41 |
| CEA-21-26 | 1.5/16" - 12 | 1.5/8" - 12 | 55.5 | 59.5 | 41 | 41 |
| CEA-26-21 | 1.5/8" - 12 | 1.5/16" - 12 | 53.8 | 59 | 41 | 50 |
| CEA-26-26 | 1.5/8" - 12 | 1.5/8" - 12 | 55.3 | 59 | 41 | 50 |
| CEA-30-30 | 1.7/8" - 12 | 1.7/8" - 12 | 62.5 | 63 | 48 | 55 |

† SAE Thread Form



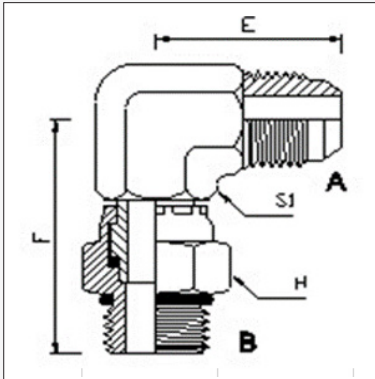
This page is part of a complete catalogue containing technical and safety data.
All data must be reviewed when selecting a product.
Pirtek reserve the right to change technical specifications without notice

90° ELBOWS



CEAS SERIES

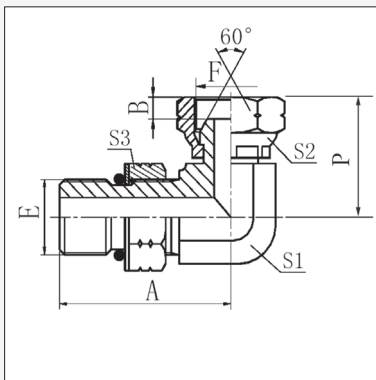
UNO MALE SWIVEL X JIC MALE



| Product Code | Thread | | Dimensions mm | | | |
|--------------|--------------|--------------|---------------|----|----|------|
| | A (JIC) | B (UNO) | E | F | S1 | H |
| CEAS-12-12 | 3/4" - 16 | 3/4" - 16 | 32 | 48 | 19 | 22.2 |
| CEAS-14-12 | 3/4" - 16 | 7/8" - 14 | 34 | 53 | 22 | 25.4 |
| CEAS-17-17 | 1.1/16" - 16 | 1.1/16" - 12 | 42 | 54 | 27 | 31.8 |

CED SERIES

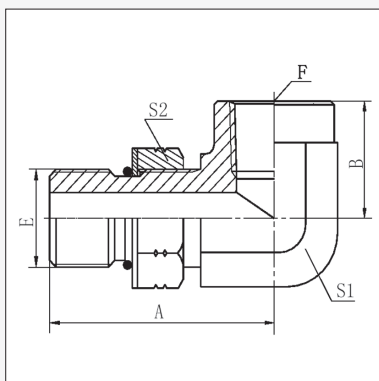
UN'O' MALE x BSPP FEMALE



| Product Code | Thread | | Dimensions mm | | | | | |
|--------------|--------------|-----------|---------------|------|----|----|----|----|
| | E (UN'O') | F (BSPP) | A | B | S1 | S2 | S3 | P |
| CED-09-04 | 9/16" - 18 | 1/4" - 19 | 31.8 | 5.5 | 14 | 19 | 19 | 33 |
| CED-09-06 | 9/16" - 18 | 3/8" - 19 | 33.3 | 6.3 | 16 | 19 | 22 | 36 |
| CED-12-06 | 3/4" - 16 | 3/8" - 19 | 36.8 | 6.3 | 19 | 24 | 22 | 36 |
| CED-12-08 | 3/4" - 16 | 1/2" - 14 | 36.8 | 7.5 | 19 | 24 | 27 | 42 |
| CED-14-08 | 7/8" - 14 | 1/2" - 14 | 44 | 7.5 | 22 | 27 | 27 | 42 |
| CED-17-12 | 1.1/16" - 12 | 3/4" - 14 | 51 | 10.9 | 27 | 32 | 32 | 50 |
| CED-21-16 | 1.5/16" - 12 | 1" - 11 | 54.5 | 11.7 | 33 | 41 | 41 | 59 |

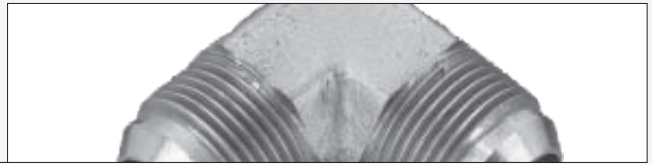
CEPN SERIES

UN'O' MALE x NPT FIXED FEMALE



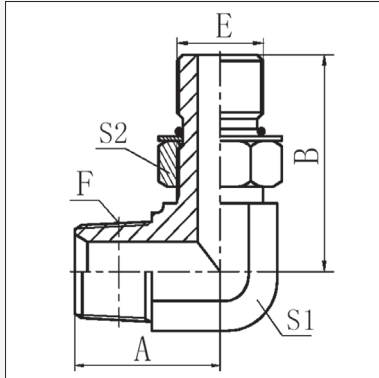
| Product Code | Thread | | Dimensions mm | | | |
|--------------|--------------|-----------|---------------|------|----|----|
| | E (UN'O') | F (NPT) | A | B | S1 | S2 |
| CEPN-12-06 | 3/4" - 16 | 3/8" - 19 | 40 | 26.5 | 22 | 24 |
| CEPN-12-08 | 3/4" - 16 | 1/2" - 14 | 43 | 31.2 | 27 | 24 |
| CEPN-12-12 | 3/4" - 16 | 3/4" - 14 | | | | 24 |
| CEPN-14-08 | 7/8" - 14 | 1/2" - 14 | 48 | 31.2 | 27 | 27 |
| CEPN-17-08 | 1.1/16" - 12 | 1/2" - 14 | 51 | 31.2 | 27 | 32 |
| CEPN-17-12 | 1.1/16" - 12 | 3/4" - 14 | 55 | 34.5 | 33 | 32 |

90° ELBOWS



CEJ SERIES

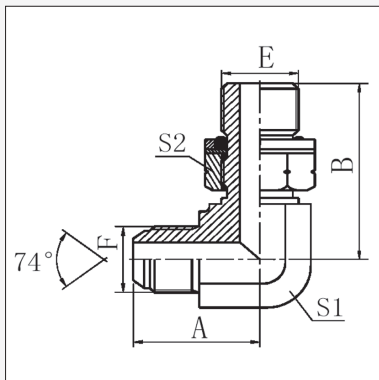
UN'O' MALE x BSPT MALE



| Product Code | Thread | | Dimensions mm | | | |
|--------------|--------------|-------------|---------------|------|----|----|
| | E (UN'O') | F (BSPT) | A | B | S1 | S2 |
| CEJ-07-02 | 7/16" - 20 | 1/8" - 28 | | | | |
| CEJ-07-04 | 7/16" - 20 | 1/4" - 19 | 26 | 31 | 14 | 17 |
| CEJ-09-04 | 9/16" - 18 | 1/4" - 19 | 26 | 31.8 | 14 | 19 |
| CEJ-09-06 | 9/16" - 18 | 3/8" - 19 | 28.5 | 33.3 | 16 | 19 |
| CEJ-12-06 | 3/4" - 16 | 3/8" - 19 | 31 | 37 | 19 | 24 |
| CEJ-12-08 | 3/4" - 16 | 1/2" - 20 | 37 | 40.5 | 22 | 24 |
| CEJ-14-06 | 7/8" - 14 | 3/8" - 19 | 33.5 | 44 | 22 | 27 |
| CEJ-14-08 | 7/8" - 14 | 1/2" - 14 | 38 | 44 | 22 | 27 |
| CEJ-14-12 | 7/8" - 14 | 3/4" - 14 | 43 | 47 | 27 | 27 |
| CEJ-17-08 | 1.1/16" - 12 | 1/2" - 14 | 41 | 51 | 27 | 32 |
| CEJ-17-12 | 1.1/16" - 12 | 3/4" - 14 | 43.5 | 51 | 27 | 32 |
| CEJ-17-16 | 1.1/16" - 12 | 1" - 11 | | | | |
| CEJ-21-12 | 1.5/16" - 12 | 3/4" - 14 | 47.5 | 54.5 | 33 | 41 |
| CEJ-21-16 | 1.5/16" - 12 | 1" - 11 | | | | |
| CEJ-26-16 | 1.5/8" - 12 | 1" - 11 | 55.5 | 59 | 41 | 50 |
| CEJ-26-20 | 1.5/8" - 12 | 1.1/4" - 11 | 56.5 | 59.5 | 41 | 50 |
| CEJ-30-24 | 1.7/8" - 12 | 1.1/2" - 11 | | | | |

CFA SERIES

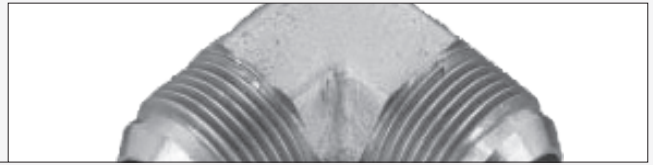
BSPP MALE x JIC MALE



See page D90 for replacement retaining ring and O-Ring for the BSPP thread (Product Codes **RRB** and **RROB**)

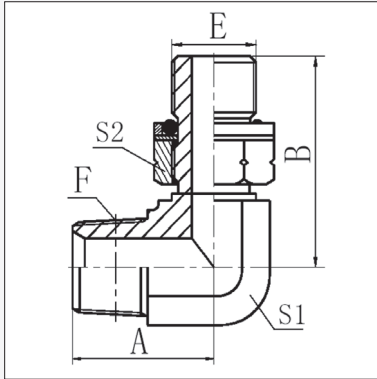
| Product Code | Thread | | Dimensions mm | | | |
|---------------|-------------|--------------|---------------|------|------|------|
| | E (BSPP) | F (JIC) | A | B | S1 | S2 |
| CFA-02-07 | 1/8" - 28 | 7/16" - 20 | 24.5 | 26.2 | 11 | 14 |
| CFA-02-09 | 1/8"X28 | 9/16"X18 | 26.9 | 28 | 14 | 14 |
| CFA-04-07 | 1/4" - 19 | 7/16" - 20 | 26.6 | 31.3 | 14 | 19 |
| CFA-04-09 | 1/4" - 19 | 9/16" - 18 | 26.9 | 31.3 | 14 | 19 |
| CFA-04-12 | 1/4" - 19 | 3/4" - 16 | 32 | 31.3 | 19 | 19 |
| CFA-06-07 | 3/8" - 19 | 7/16" - 20 | 28.5 | 36.5 | - | - |
| CFA-06-09 | 3/8" - 19 | 9/16" - 18 | 28.5 | 35.8 | 16 | 22 |
| CFA-06-09-067 | 3/8" - 19 | 9/16" - 18 | 34 | 67 | | |
| CFA-06-14 | 3/8" - 19 | 7/8" - 14 | | | | |
| CFA-08-07 | 1/2" - 14 | 7/16" - 20 | 27 | 32 | 14 | 19 |
| CFA-08-09 | 1/2" - 14 | 9/16" - 18 | 32.5 | 43.2 | 22 | 27 |
| CFA-08-12 | 1/2" - 14 | 3/4" - 16 | 34.8 | 43.2 | 22 | 27 |
| CFA-08-12-078 | 1/2" - 14 | 3/4" - 16 | 37 | 78 | | |
| CFA-08-14 | 1/2" - 14 | 7/8" - 14 | 37.8 | 43.2 | 22 | 27 |
| CFA-08-17 | 1/2" - 14 | 1.1/16" - 12 | 44.2 | 46.5 | 27 | 27 |
| CFA-12-12 | 3/4" - 14 | 3/4" - 16 | 37.9 | 49.3 | 27 | 32 |
| CFA-12-14 | 3/4" - 14 | 7/8" - 14 | 41 | 49.3 | 27 | 32 |
| CFA-12-17 | 3/4" - 14 | 1.1/16" - 12 | 44.2 | 49.3 | 27 | 32 |
| CFA-12-21 | 3/4" - 14 | 1.5/16" - 12 | 49 | 53 | 33 | 32 |
| CFA-16-17 | 1" - 11 | 1.1/16" - 12 | 48 | 53 | 33 | 41 |
| CFA-16-21 | 1" - 11 | 1.5/16" - 12 | 49 | 53 | 33 | 41 |
| CFA-16-26 | 1" - 11 | 1.5/8" - 12 | 55.5 | 58 | 41 | 41 |
| CFA-20-17 | 1.1/4" - 11 | 1.1/16" - 12 | 53.5 | 59.5 | 41 | 50 |
| CFA-20-21 | 1.1/4" - 11 | 1.5/16" - 12 | 53.8 | 58 | 41 | 50 |
| CFA-20-26 | 1.1/4" - 11 | 1.5/8" - 12 | 55.5 | 58 | 41 | 50 |
| CFA-24-26 | 1.1/2" - 11 | 1.5/8" - 12 | 56 | 63 | 48 | 55 |
| CFA-24-30 | 1.1/2" - 11 | 1.7/8" - 12 | 60 | 60 | 47.5 | 54.8 |

90° ELBOWS



CFJ SERIES

BSPP MALE x BSPT MALE



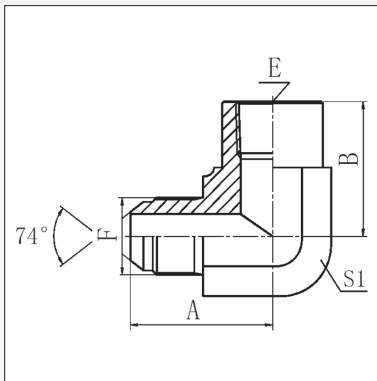
See page D90 for replacement retaining ring and O-Ring for the BSPP thread (Product Codes **RRB** and **RROB**)

| Product Code | Thread | | Dimensions mm | | | |
|--------------|-------------|-------------|---------------|------|----|----|
| | E (BSPP) | F (BSPT) | A | B | S1 | S2 |
| CFJ-02-02 † | 1/8" - 28 | 1/8" - 28 | | | | |
| CFJ-04-04 | 1/4" - 19 | 1/4" - 19 | 25.5 | 31.3 | 14 | 19 |
| CFJ-06-04 | 3/8" - 19 | 1/4" - 19 | 26.5 | 35.8 | 16 | 22 |
| CFJ-06-06 | 3/8" - 19 | 3/8" - 19 | 27.5 | 36.8 | 16 | 22 |
| CFJ-06-08 | 3/8" - 19 | 1/2" - 14 | 38 | 40 | 21 | 22 |
| CFJ-08-06 | 1/2" - 14 | 3/8" - 19 | 32.5 | 43.2 | 22 | 27 |
| CFJ-08-08 | 1/2" - 14 | 1/2" - 14 | 37 | 43.2 | 22 | 27 |
| CFJ-08-12 | 1/2" - 14 | 3/4" - 14 | 45 | 47 | 26 | 27 |
| CFJ-12-08 | 3/4" - 14 | 1/2" - 14 | 39.5 | 49.3 | 27 | 32 |
| CFJ-12-12 | 3/4" - 14 | 3/4" - 14 | 43 | 49.3 | 27 | 32 |
| CFJ-12-16 | 3/4" - 14 | 1" - 11 | 50 | 53 | 33 | 27 |
| CFJ-16-12 | 1" - 11 | 3/4" - 14 | 48 | 53 | 33 | 41 |
| CFJ-16-16 | 1" - 11 | 1" - 11 | 50 | 53 | 33 | 41 |
| CFJ-20-16 | 1.1/4" - 11 | 1" - 11 | 55.5 | 58 | 41 | 50 |
| CFJ-20-20 | 1.1/4" - 11 | 1.1/4" - 11 | 57 | 58 | 41 | 50 |
| CFJ-24-24 | 1.1/2" - 11 | 1.1/2" - 11 | 62.5 | 63 | 48 | 55 |

† Non-Stocked, available on request

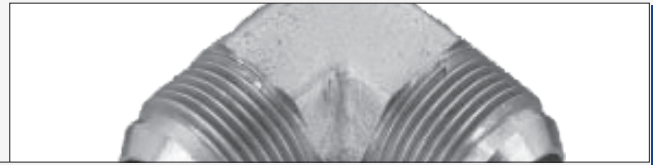
CLA SERIES

BSPT FIXED FEMALE x JIC MALE



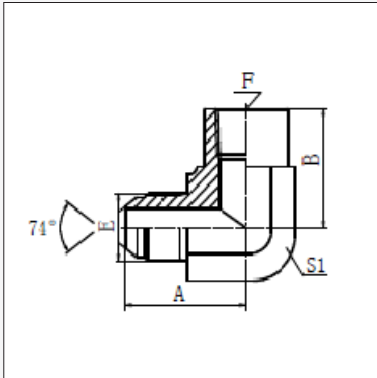
| Product Code | Thread | | Dimensions mm | | | |
|--------------|-----------|--------------|---------------|------|----|--|
| | E (BSPT) | F (JIC) | A | B | S1 | |
| CLA-02-07 | 1/8" - 28 | 7/16" - 20 | 27.5 | 20 | 16 | |
| CLA-04-09 | 1/4" - 19 | 9/16" - 18 | 30.5 | 25 | 19 | |
| CLA-06-12 | 3/8" - 19 | 3/4" - 16 | 36 | 27 | 24 | |
| CLA-08-12 | 1/2" - 14 | 3/4" - 16 | 39.5 | 31.5 | 30 | |
| CLA-08-14 | 1/2" - 14 | 7/8" - 14 | 42.5 | 31.5 | 30 | |
| CLA-12-17 | 3/4" - 14 | 1.1/16" - 12 | 48 | 37 | 33 | |
| CLA-16-21 | 1" - 11 | 1.5/16" - 12 | 53 | 43 | 41 | |

90° ELBOWS



CLAN SERIES

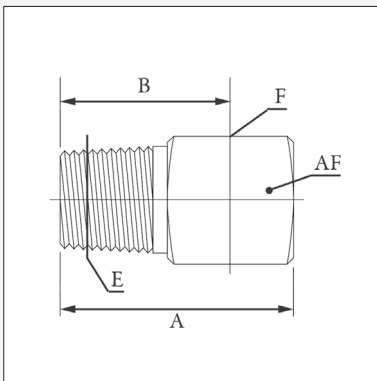
NPT FIXED FEMALE x JIC MALE



| Product Code | Thread | | Dimensions mm | | | | |
|--------------|-----------|--------------|---------------|------|----|--|--|
| | E (NPT) | F (JIC) | A | B | S1 | | |
| CLAN-04-07 | 1/4" - 19 | 7/16" - 20 | 30.9 | 22.4 | 19 | | |
| CLAN-08-12 | 1/2" - 14 | 3/4" - 16 | 39.5 | 31.2 | 30 | | |
| CLAN-08-17 | 1/2" - 14 | 1.1/16" - 12 | 46 | 31.2 | 30 | | |
| CLAN-16-21 | 1" - 11½ | 1.5/16" - 12 | 55.1 | 41.1 | 41 | | |

CLF SERIES

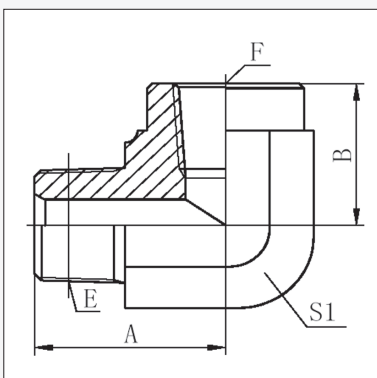
NPT MALE x NPT FEMALE LOW PROFILE



| Product Code | Thread | | Dimensions mm | | | | |
|--------------|-----------|-----------|---------------|------|------|--|--|
| | E (NPT) | F (NPT) | A | B | AF | | |
| CLF-02-02 | 1/8" - 27 | 1/8" - 27 | 25.9 | 19.1 | 12.7 | | |
| CLF-04-04 | 1/4" - 18 | 1/4" - 18 | 51 | 39.9 | 22.2 | | |
| CLF-06-06 | 3/8" - 18 | 3/8" - 18 | 50.9 | 39.8 | 22.2 | | |
| CLF-08-08 | 1/2" - 14 | 1/2" - 14 | 65 | 50.8 | 28.5 | | |

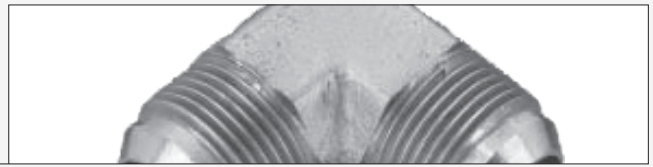
CLJ SERIES

BSPT MALE x BSPT FIXED FEMALE

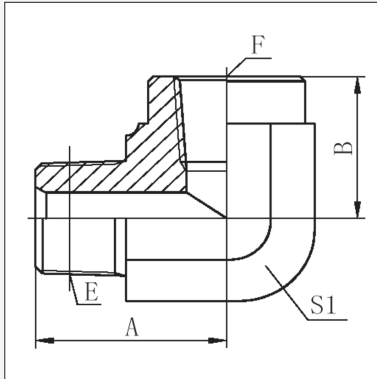


| Product Code | Thread | | Dimensions mm | | | | |
|--------------|-------------|-------------|---------------|------|----|--|--|
| | E (BSPT) | F (BSPT) | A | B | S1 | | |
| CLJ-02-02 | 1/8" - 28 | 1/8" - 28 | 24.5 | 23 | 16 | | |
| CLJ-04-04 | 1/4" - 19 | 1/4" - 19 | 28.5 | 25 | 19 | | |
| CLJ-06-06 | 3/8" - 19 | 3/8" - 19 | 33.5 | 25 | 24 | | |
| CLJ-08-06 | 1/2" - 14 | 3/8" - 19 | 40.8 | 25 | 30 | | |
| CLJ-08-08 | 1/2" - 14 | 1/2" - 14 | 40.8 | 31.5 | 30 | | |
| CLJ-12-12 | 3/4" - 14 | 3/4" - 14 | 47.5 | 37 | 33 | | |
| CLJ-16-16 | 1" - 11 | 1" - 11 | 56.5 | 43 | 41 | | |
| CLJ-20-20 | 1.1/4" - 11 | 1.1/4" - 11 | 61 | 50 | 48 | | |

90° ELBOWS

**CLJN** SERIES

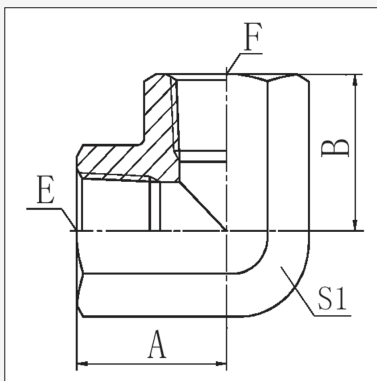
NPT MALE x NPTF FIXED FEMALE



| Product Code | Thread | | Dimensions mm | | | |
|--------------|--------------|--------------|---------------|------|----|--|
| | E (NPT) | F (NPT) | A | B | S1 | |
| CLJN-04-04 | 1/4" - 18 | 1/4" - 18 | 28 | 22.4 | 19 | |
| CLJN-06-06 | 3/8" - 18 | 3/8" - 18 | 33.5 | 25 | 24 | |
| CLJN-08-08 | 1/2" - 14 | 1/2" - 14 | 41.2 | 31.2 | 30 | |
| CLJN-12-12 | 3/4" - 14 | 3/4" - 14 | 45.2 | 34.5 | 33 | |
| CLJN-16-16 | 1" - 11½ | 1" - 11½ | 54.5 | 41.1 | 41 | |
| CLJN-20-20 | 1.1/4" - 11½ | 1.1/4" - 11½ | 63 | 43.2 | 48 | |
| CLJN-24-24 | 1.1/2" - 11½ | 1.1/2" - 11½ | 71.5 | 52.8 | 63 | |

CLP SERIES

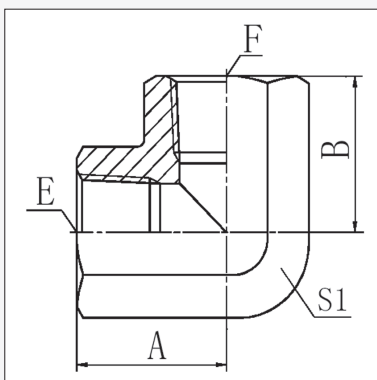
BSPT FIXED FEMALE x BSPT FIXED FEMALE



| Product Code | Thread | | Dimensions mm | | | |
|--------------|-------------|-------------|---------------|------|----|--|
| | E (BSPT) | F (BSPT) | A | B | S1 | |
| CLP-02-02 | 1/8" - 28 | 1/8" - 28 | 20 | 20 | 16 | |
| CLP-04-04 | 1/4" - 19 | 1/4" - 19 | 22.5 | 22.5 | 19 | |
| CLP-06-06 | 3/8" - 19 | 3/8" - 19 | 26 | 26 | 24 | |
| CLP-08-08 | 1/2" - 14 | 1/2" - 14 | 31 | 31 | 27 | |
| CLP-12-12 | 3/4" - 14 | 3/4" - 14 | 34 | 34 | 33 | |
| CLP-16-16 | 1" - 11 | 1" - 11 | 42 | 42 | 41 | |
| CLP-20-20 | 1.1/4" - 11 | 1.1/4" - 11 | 48 | 48 | 50 | |
| CLP-24-24 | 1.1/2" - 11 | 1.1/2" - 11 | 53 | 53 | 60 | |
| CLP-32-32 | 2" - 11 | 2" - 11 | 62 | 62 | 70 | |

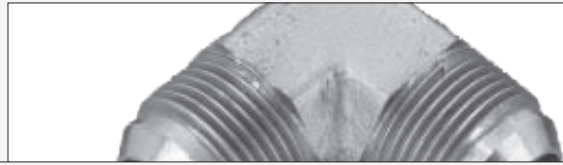
CLPN SERIES

NPT FIXED FEMALE x NPT FIXED FEMALE

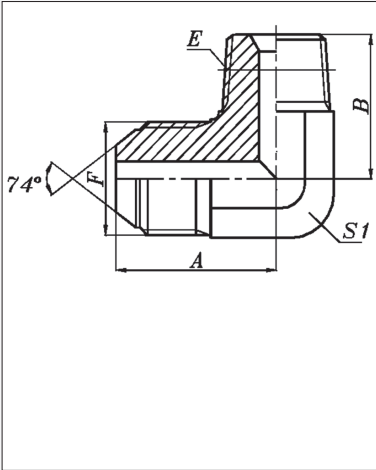


| Product Code | Thread | | Dimensions mm | | | |
|--------------|--------------|--------------|---------------|------|----|--|
| | E (NPT) | F (NPT) | A | B | S1 | |
| CLPN-02-02 | 1/8" - 28 | 1/8" - 28 | 20 | 20 | 16 | |
| CLPN-04-04 | 1/4" - 18 | 1/4" - 18 | 22.5 | 22.5 | 19 | |
| CLPN-06-06 | 3/8" - 18 | 3/8" - 18 | 26 | 26 | 24 | |
| CLPN-08-08 | 1/2" - 14 | 1/2" - 14 | 31 | 31 | 27 | |
| CLPN-12-12 | 3/4" - 14 | 3/4" - 14 | 34 | 34 | 33 | |
| CLPN-16-16 | 1" - 11½ | 1" - 11½ | 42 | 42 | 41 | |
| CLPN-20-20 | 1.1/4" - 11½ | 1.1/4" - 11½ | 48 | 48 | 50 | |

90° ELBOWS

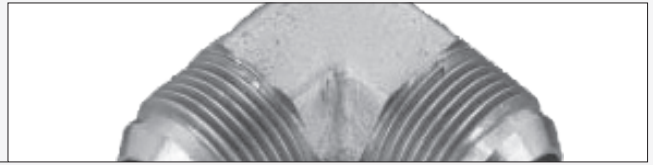


CVA SERIES BSPT MALE x JIC MALE



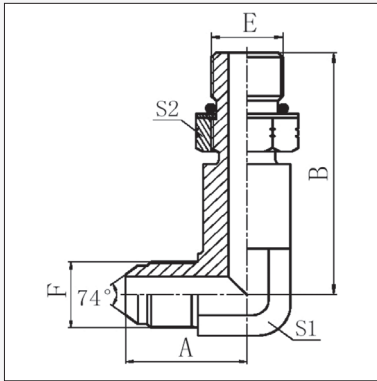
| Product Code | Thread | | Dimensions mm | | | |
|---------------|-------------|--------------|---------------|------|----|--|
| | E (BSPT) | F (JIC) | A | B | S1 | |
| CVA-02-07 | 1/8" - 28 | 7/16" - 20 | 24.5 | 21 | 11 | |
| CVA-02-07-029 | 1/8" - 28 | 7/16" - 20 | 24.5 | 29 | 11 | |
| CVA-02-07-039 | 1/8" - 28 | 7/16" - 20 | 24.5 | 39 | 11 | |
| CVA-02-07-058 | 1/8" - 28 | 7/16" - 20 | 24.5 | 58 | 11 | |
| CVA-02-08 | 1/8" - 28 | 1/2" - 20 | 26.6 | 23.5 | 14 | |
| CVA-02-09 | 1/8" - 28 | 9/16" - 18 | 26.9 | 23.5 | 14 | |
| CVA-04-07 | 1/4" - 19 | 7/16" - 20 | 26.6 | 25.5 | 14 | |
| CVA-04-08 | 1/4" - 19 | 1/2" - 20 | 26.6 | 25.5 | 14 | |
| CVA-04-09 | 1/4" - 19 | 9/16" - 18 | 26.9 | 25.5 | 14 | |
| CVA-04-10 | 1/4" - 19 | 5/8" - 18 † | | | | |
| CVA-04-12 | 1/4" - 19 | 3/4" - 16 | 32 | 28 | 19 | |
| CVA-06-07 | 3/8" - 19 | 7/16" - 20 | 27.5 | 28 | 16 | |
| CVA-06-08 | 3/8" - 19 | 1/2" - 20 | 27.5 | 28 | 16 | |
| CVA-06-09 | 3/8" - 19 | 9/16" - 18 | 28.5 | 28.5 | 16 | |
| CVA-06-10 | 3/8" - 19 | 5/8" - 18 † | | | | |
| CVA-06-12 | 3/8" - 19 | 3/4" - 16 | 32 | 30.5 | 19 | |
| CVA-06-14 | 3/8" - 19 | 7/8" - 14 | 38 | 32 | 22 | |
| CVA-08-07 | 1/2" - 14 | 7/16" - 20 | 31.5 | 36 | 22 | |
| CVA-08-09 | 1/2" - 14 | 9/16" - 18 | 32 | 36 | 22 | |
| CVA-08-10 | 1/2" - 14 | 5/8" - 18 † | | | | |
| CVA-08-12 | 1/2" - 14 | 3/4" - 16 | 34.8 | 36 | 22 | |
| CVA-08-14 | 1/2" - 14 | 7/8" - 14 | 37.8 | 36 | 22 | |
| CVA-08-17 | 1/2" - 14 | 1.1/16" - 12 | 44.2 | 40 | 27 | |
| CVA-12-09 | 3/4" - 14 | 9/16" - 18 | 35 | 44 | 27 | |
| CVA-12-12 | 3/4" - 14 | 3/4" - 16 | 37.9 | 43.5 | 27 | |
| CVA-12-14 | 3/4" - 14 | 7/8" - 14 | 41 | 43.5 | 27 | |
| CVA-12-17 | 3/4" - 14 | 1.1/16" - 12 | 44.2 | 43.5 | 27 | |
| CVA-12-19 | 3/4" - 14 | 1.3/16" - 12 | | | | |
| CVA-12-21 | 3/4" - 14 | 1.5/16" - 12 | 49 | 47.5 | 33 | |
| CVA-16-12 | 1" - 11 | 3/4" - 16 | 41.5 | 50 | 33 | |
| CVA-16-14 | 1" - 11 | 7/8" - 14 | 46 | 50 | 33 | |
| CVA-16-17 | 1" - 11 | 1.1/16" - 12 | 47.8 | 50 | 33 | |
| CVA-16-21 | 1" - 11 | 1.5/16" - 12 | 49 | 50 | 33 | |
| CVA-16-26 | 1" - 11 | 1.5/8" - 12 | 55.5 | 56.5 | 41 | |
| CVA-20-21 | 1.1/4" - 11 | 1.5/16" - 12 | 54 | 56.5 | 41 | |
| CVA-20-26 | 1.1/4" - 11 | 1.5/8" - 12 | 55.5 | 56.5 | 41 | |
| CVA-20-30 | 1.1/4" - 11 | 1.7/8" - 12 | | | | |
| CVA-24-30 | 1.1/2" - 11 | 1.7/8" - 12 | 62.5 | 62.5 | 48 | |
| CVA-32-40 | 2" - 11 | 2.1/2" - 12 | 75.4 | 67 | 63 | |

90° ELBOWS



CSA SERIES

UN'O' EXTENDED MALE x JIC MALE

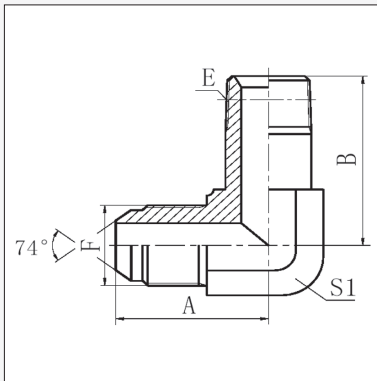


| Product Code | Thread | | Dimensions mm | | | |
|--------------|--------------|--------------|---------------|------|------|------|
| | E (UN'O') | F (JIC) | A | B | S1 | S2 |
| CSA-07-07 † | 7/16" - 20 | 7/16" - 20 | 24.5 | 44 | 11 | 17 |
| CSA-09-09 | 9/16" - 18 | 9/16" - 18 | 26.9 | 52.8 | 14 | 19 |
| CSA-12-12 | 3/4" - 16 | 3/4" - 16 | 33 | 63.5 | 19 | 24 |
| CSA-14-12 | 7/8" - 14 | 3/4" - 16 | 33 | 73.4 | 22 | 24 |
| CSA-14-14 † | 7/8" - 14 | 7/8" - 14 | 37.8 | 73.4 | 22 | 27 |
| CSA-14-17 † | 7/8" - 14 | 1.1/16" - 12 | 44.2 | 73.4 | 27 | 27 |
| CSA-17-17 † | 1.1/16" - 12 | 1.1/16" - 12 | 44.2 | 84.8 | 27 | 32 |
| CSA-17-21 | 1.1/16" - 12 | 1.5/16" - 12 | 44 | 78 | 33.3 | 31.7 |
| CSA-21-21 | 1.5/16" - 12 | 1.5/16" - 12 | 46.5 | 94.5 | 33 | 38 |

† Non-Stocked, Available on request

CVAN SERIES

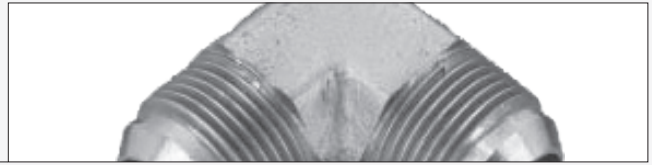
NPT MALE x JIC MALE



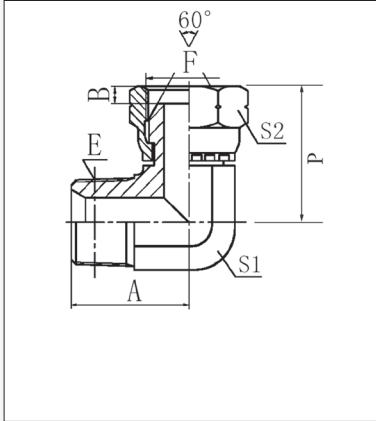
| Product Code | Thread | | Dimensions mm | | | |
|----------------|---------------|--------------|---------------|------|----|--|
| | E (NPT) | F (JIC) | A | B | S1 | |
| CVAN-02-07 | 1/8" - 27 | 7/16" - 20 | 24.5 | 21 | 11 | |
| CVAN-02-07-030 | 1/8" - 27 | 7/16" - 20 | 24.5 | 30 | 11 | |
| CVAN-02-07-039 | 1/8" - 27 | 7/16" - 20 | 22.5 | 39.5 | 11 | |
| CVAN-02-07-058 | 1/8" - 27 | 7/16" - 20 | 22.5 | 58.0 | 11 | |
| CVAN-02-08 | 1/8" - 27 | 1/2" - 20 | 26.6 | 23.5 | 14 | |
| CVAN-02-09 | 1/8" - 27 | 9/16" - 18 | 26.9 | 23.5 | 14 | |
| CVAN-04-07 | 1/4" - 18 | 7/16" - 20 | 26.6 | 25.5 | 14 | |
| CVAN-04-07-030 | 1/4" - 18 | 7/16" - 20 | 26.6 | 30 | 14 | |
| CVAN-04-07-052 | 1/4" - 18 | 7/16" - 20 | 27 | 52.5 | 14 | |
| CVAN-04-08 | 1/4" - 18 | 1/2" - 20 | 26.6 | 25.5 | 14 | |
| CVAN-04-09 | 1/4" - 18 | 9/16" - 18 | 26.9 | 25.5 | 14 | |
| CVAN-04-09-040 | 1/4" - 18 | 9/16" - 18 | 26.9 | 40.1 | 14 | |
| CVAN-04-10 | 1/4" - 18 | 5/8" - 18 † | 28 | 26 | 15 | |
| CVAN-04-12 | 1/4" - 18 | 3/4" - 16 | 32 | 28.5 | 19 | |
| CVAN-06-07 | 3/8" - 18 | 7/16" - 20 | 29.5 | 31 | 19 | |
| CVAN-06-09 | 3/8" - 18 | 9/16" - 18 | 30 | 31 | 19 | |
| CVAN-06-12 | 3/8" - 18 | 3/4" - 16 | 32 | 31 | 19 | |
| CVAN-06-12-046 | 3/8" - 18 | 3/4" - 16 | 32 | 46.2 | 19 | |
| CVAN-06-14 | 3/8" - 18 | 7/8" - 14 | 37.8 | 32.5 | 22 | |
| CVAN-08-07 | 1/2" - 14 | 7/16" - 20 | 33.5 | 37.3 | 22 | |
| CVAN-08-09 | 1/2" - 14 | 9/16" - 18 | 32 | 36.7 | 22 | |
| CVAN-08-12 | 1/2" - 14 | 3/4" - 16 | 34.8 | 37.3 | 22 | |
| CVAN-08-12-055 | 1/2" - 14 | 3/4" - 16 | 34.8 | 55.1 | 22 | |
| CVAN-08-14 | 1/2" - 14 | 7/8" - 14 | 37.8 | 37.3 | 22 | |
| CVAN-08-17 | 1/2" - 14 | 1.1/16" - 12 | 44.2 | 40 | 27 | |
| CVAN-12-12 | 3/4" - 14 | 3/4" - 16 | 37.9 | 44 | 27 | |
| CVAN-12-14 | 3/4" - 14 | 7/8" - 14 | 41 | 44 | 27 | |
| CVAN-12-17 | 3/4" - 14 | 1.1/16" - 12 | 44.2 | 44 | 27 | |
| CVAN-12-21 | 3/4" - 14 | 1.5/16" - 12 | 49 | 45.2 | 33 | |
| CVAN-16-17 | 1" - 11.5 | 1.1/16" - 12 | 49 | 50 | 33 | |
| CVAN-16-21 | 1" - 11.5 | 1.5/16" - 12 | 49 | 50 | 33 | |
| CVAN-20-21 | 1.1/4" - 11.5 | 1.5/16" - 12 | 54 | 60.5 | 41 | |
| CVAN-20-26 | 1.1/4" - 11.5 | 1.5/8" - 12 | 55.5 | 54.5 | 41 | |
| CVAN-20-30 | 1.1/4" - 11.5 | 1.7/8" - 12 | 62.5 | 63 | 48 | |
| CVAN-24-30 | 1.1/2" - 11.5 | 1.7/8" - 12 | 75.4 | 70 | 63 | |
| CVAN-32-40 | 2" - 11.5 | 2.1/2" - 12 | 75.4 | 67.5 | 63 | |

This page is part of a complete catalogue containing technical and safety data.
All data must be reviewed when selecting a product.
Pirtek reserve the right to change technical specifications without notice

90° ELBOWS

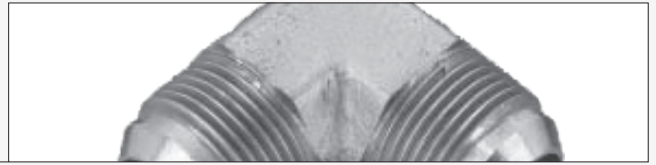


CVD SERIES BSPT MALE x BSPP FEMALE



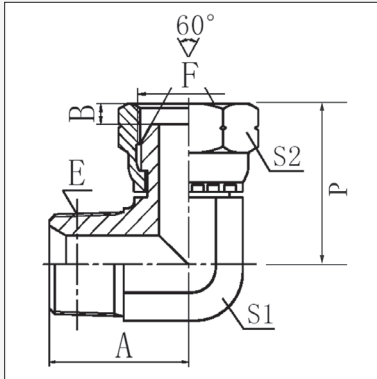
| Product Code | Thread | | Dimensions mm | | | | |
|--------------|-------------|-------------|---------------|------|------|------|----|
| | E (BSPT) | F (BSPP) | A | B | S1 | S2 | P |
| CVD-02-02 | 1/8" - 28 | 1/8" - 28 | 21 | 5.5 | 11 | 14 | 30 |
| CVD-04-04 | 1/4" - 19 | 1/4" - 19 | 25.5 | 5.5 | 14 | 19 | 33 |
| CVD-06-04 | 3/8" - 19 | 1/4" - 19 | 28.5 | 5.5 | 16 | 19 | 33 |
| CVD-06-06 | 3/8" - 19 | 3/8" - 19 | 28.5 | 6.3 | 16 | 22 | 36 |
| CVD-06-08 | 3/8" - 19 | 1/2" - 14 | 30.5 | 7.5 | 19 | 27 | 36 |
| CVD-08-06 | 1/2" - 14 | 3/8" - 19 | 36 | 6.3 | 22 | 22 | 42 |
| CVD-08-08 | 1/2" - 14 | 1/2" - 14 | 36 | 7.5 | 22 | 27 | 42 |
| CVD-08-12 | 1/2" - 14 | 3/4" - 14 | 39.2 | 10.4 | 26.6 | 31.7 | 42 |
| CVD-12-12 | 3/4" - 14 | 3/4" - 14 | 43.5 | 10.9 | 27 | 32 | 50 |
| CVD-16-16 | 1" - 11 | 1" - 11 | 50 | 11.7 | 33 | 41 | 59 |
| CVD-20-20 | 1.1/4" - 11 | 1.1/4" - 11 | 58 | 11 | 41 | 50 | 62 |
| CVD-24-24 | 1.1/2" - 11 | 1.1/2" - 11 | 62.5 | 13 | 48 | 55 | 72 |
| CVD-32-32 | 2"-11 | 2"-11 | 70 | 16 | 63 | 70 | 80 |

90° ELBOWS



CVDN SERIES

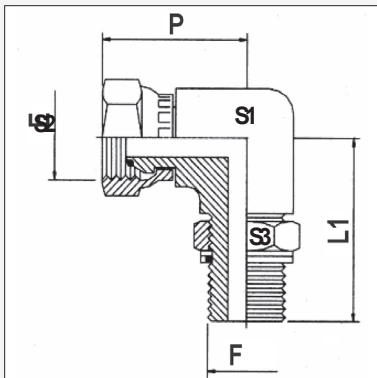
NPT MALE x NPSM FEMALE



| Product Code | Thread | | Dimensions mm | | | | |
|--------------|---------------|---------------|---------------|------|----|----|----|
| | E (NPT) | F (NPSM) | A | B | S1 | S2 | P |
| CVDN-02-02 | 1/8" - 27 | 1/8" - 27 | 21 | 3.5 | 11 | 15 | 30 |
| CVDN-04-04 | 1/4" - 18 | 1/4" - 18 | 25.5 | 4.6 | 14 | 19 | 33 |
| CVDN-06-06 | 3/8" - 18 | 3/8" - 18 | 31 | 6 | 19 | 22 | 36 |
| CVDN-06-08 | 3/8" - 18 | 1/2" - 14 | 31 | 7.5 | 19 | 27 | 36 |
| CVDN-08-08 | 1/2" - 14 | 1/2" - 14 | 37.3 | 7.5 | 22 | 27 | 42 |
| CVDN-12-12 | 3/4" - 14 | 3/4" - 14 | 43.5 | 8.9 | 27 | 32 | 50 |
| CVDN-16-16 | 1" - 11.5 | 1" - 11.5 | 50 | 10.5 | 33 | 41 | 59 |
| CVDN-20-20 | 1.1/4" - 11.5 | 1.1/4" - 11.5 | 54.5 | 11.2 | 41 | 50 | 62 |
| CVDN-24-24 | 1.1/2" - 11.5 | 1.1/2" - 11.5 | 59 | 11.2 | 48 | 55 | 72 |
| CVDN-32-32 | 2" - 11.5 | 2" - 11.5 | 73.5 | 11.2 | 63 | 70 | 87 |

CVDP / CVDPA SERIES

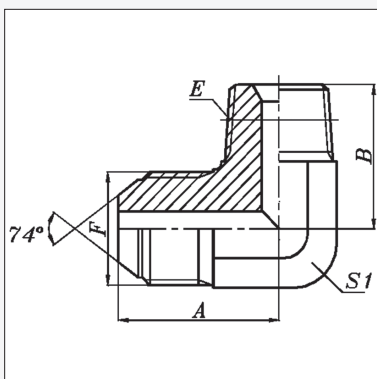
BSPP MALE x BSPP FEMALE



| Product Code | Thread | | Dimensions mm | | | | |
|-------------------------|-----------|-----------|---------------|------|----|----|----|
| | E (BSPP) | F (BSPP) | L1 | P | S1 | S2 | S3 |
| Non-Adjustable | | | | | | | |
| CVDP-04-04 | 1/4" - 28 | 1/4" - 28 | 27 | 28 | 14 | 19 | - |
| CVDP-06-06 | 3/8" - 19 | 3/8" - 19 | 28 | 29 | 16 | 22 | - |
| CVDP-08-08 | 1/2" - 14 | 1/2" - 14 | 35 | 36 | 22 | 27 | - |
| CVDP-08-16 | 1/2" - 14 | 1" - 11 | 41 | 36.5 | - | - | - |
| CVDP-12-16 | 3/4" - 14 | 1" - 11 | 38.5 | 36.5 | 30 | 41 | - |
| CVDP-16-16 | 1" - 11 | 1" - 11 | 41 | 36.5 | - | - | - |
| Adjustable Style | | | | | | | |
| CVDPA-04-04 | 1/4" - 28 | 1/4" - 28 | 31.5 | 28 | 14 | 19 | 19 |
| CVDPA-06-06 | 3/8" - 19 | 3/8" - 19 | 37 | 29 | 16 | 22 | 22 |
| CVDPA-08-08 | 1/2" - 14 | 1/2" - 14 | 43 | 36 | 22 | 27 | 27 |
| CVDPA-12-12 | 3/4" - 14 | 3/4" - 14 | 50 | 44 | 27 | 32 | 32 |

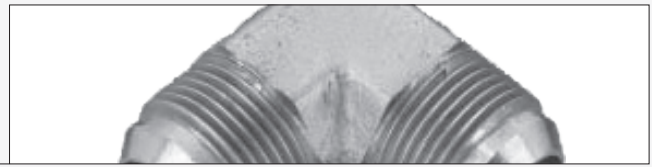
CVE SERIES

BSPT MALE x SAE MALE

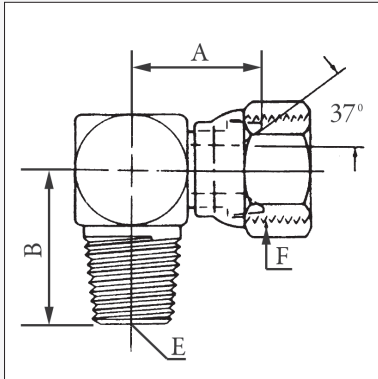


| Product Code | Thread | | Dimensions mm | | | | |
|--------------|-----------|--------------|---------------|---|--|--|--|
| | E (BSPT) | F (SAE) | A | B | | | |
| CVE-12-17 | 3/4" - 16 | 1.1/16" - 14 | | | | | |

90° ELBOWS

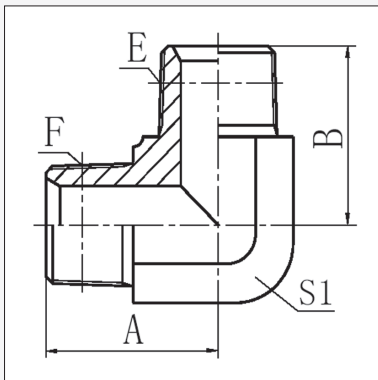


CVF SERIES BSPT MALE x JIC FEMALE



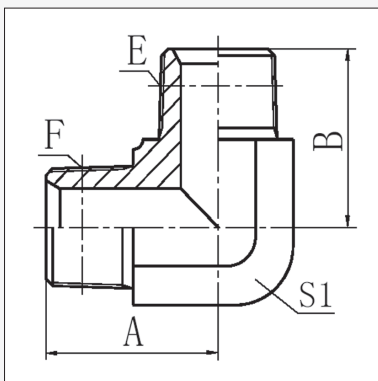
| Product Code | Thread | | Dimensions mm | | | |
|--------------|-----------|--------------------------|---------------|----|--|--|
| | E (BSPT) | F (JIC) | A | B | | |
| CVF-06-09 | 3/8" - 19 | 9/16" - 18 | 21.6 | 31 | | |
| CVF-12-17 | 3/4" - 14 | 1.1 ^{1/16} - 12 | 28 | 41 | | |

CVJ SERIES BSPT MALE x BSPT MALE



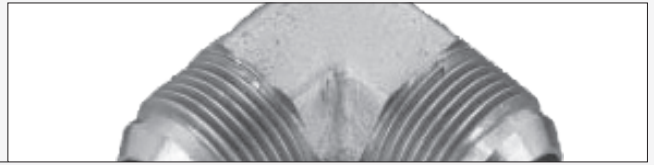
| Product Code | Thread | | Dimensions mm | | |
|--------------|-------------|-------------|---------------|------|----|
| | E (BSPT) | F (BSPT) | A | B | S1 |
| CVJ-02-02 | 1/8" - 28 | 1/8" - 28 | 21 | 21 | 11 |
| CVJ-04-02 | 1/4" - 19 | 1/8" - 28 | 23.5 | 25.5 | 14 |
| CVJ-04-04 | 1/4" - 19 | 1/4" - 19 | 25.5 | 25.5 | 14 |
| CVJ-06-04 | 3/8" - 19 | 1/4" - 19 | 26.5 | 28.5 | 16 |
| CVJ-06-06 | 3/8" - 19 | 3/8" - 19 | 28.5 | 28.5 | 16 |
| CVJ-08-04 | 1/2" - 14 | 1/4" - 19 | 30.5 | 36 | 22 |
| CVJ-08-06 | 1/2" - 14 | 3/8" - 19 | 32.5 | 36 | 22 |
| CVJ-08-08 | 1/2" - 14 | 1/2" - 14 | 36 | 36 | 22 |
| CVJ-12-08 | 3/4" - 14 | 1/2" - 14 | 39.5 | 43.5 | 27 |
| CVJ-12-12 | 3/4" - 14 | 3/4" - 14 | 43.5 | 43.5 | 27 |
| CVJ-16-12 | 1" - 11 | 3/4" - 14 | 48 | 50 | 33 |
| CVJ-16-16 | 1" - 11 | 1" - 11 | 50 | 50 | 33 |
| CVJ-20-16 | 1.1/4" - 11 | 1" - 11 | 56.5 | 57.5 | 41 |
| CVJ-20-20 | 1.1/4" - 11 | 1.1/4" - 11 | 56.5 | 56.5 | 41 |
| CVJ-24-24 | 1.1/2" - 11 | 1.1/2" - 11 | 62.5 | 62.5 | 48 |
| CVJ-32-32 | 2" - 11 | 2" - 11 | 68 | 75 | 63 |

CVJN SERIES NPT MALE x NPT MALE



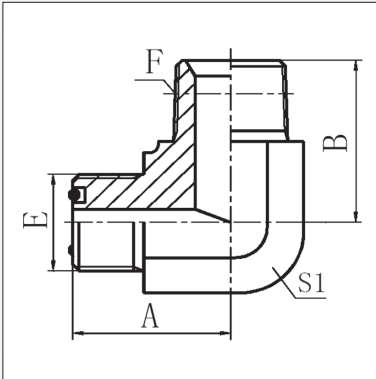
| Product Code | Thread | | Dimensions mm | | |
|--------------|----------|----------|---------------|----|----|
| | E (NPT) | F (NPT) | A | B | S1 |
| CVJN-12-12 | 3/4"-14 | 3/4"-14 | 44 | 44 | 27 |
| CVJN-16-16 | 1" - 11½ | 1" - 11½ | 50 | 50 | 33 |

90° ELBOWS



FF1208 SERIES

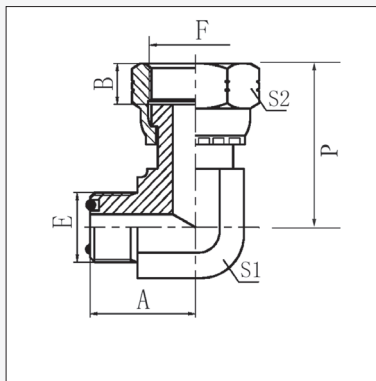
ORFS MALE x NPTF MALE



| Product Code | Thread | | Dimensions mm | | | |
|--------------|---------------|---------------|---------------|------|----|--|
| | E (ORFS) | F (NPT) | A | B | S1 | |
| FF1208-0402 | 9/16" - 18 | 1/8" - 27 | 23 | 24 | 14 | |
| FF1208-0404 | 9/16" - 18 | 1/4" - 18 | 23 | 25.5 | 14 | |
| FF1208-0604 | 11/16" - 16 | 1/4" - 18 | 27 | 28.5 | 19 | |
| FF1208-0606 | 11/16" - 16 | 3/8" - 18 | 27.5 | 31 | 19 | |
| FF1208-0806 | 13/16" - 16 | 3/8" - 18 | 31 | 33.5 | 22 | |
| FF1208-0808 | 13/16" - 16 | 1/2" - 14 | 31 | 37.3 | 22 | |
| FF1208-0812 | 13/16" - 16 | 3/4" - 14 | 34.5 | 44 | 27 | |
| FF1208-1008 | 1" - 14 | 1/2" - 14 | 36.5 | 40 | 27 | |
| FF1208-1012 | 1" - 14 | 3/4" - 14 | 36.5 | 44 | 27 | |
| FF1208-1208 | 1.3/16" - 12 | 1/2" - 14 | 41 | 41.2 | 30 | |
| FF1208-1212 | 1.3/16" - 12 | 3/4" - 14 | 41 | 45.5 | 30 | |
| FF1208-1612 | 1.7/16" - 12 | 3/4" - 14 | 44.5 | 49 | 36 | |
| FF1208-1616 | 1.7/16" - 12 | 1" - 11.5 | 44.5 | 51.5 | 36 | |
| FF1208-2020 | 1.11/16" - 12 | 1.1/4" - 11.5 | 47.5 | 54.5 | 41 | |
| FF1208-2424 | 2" - 12 | 1.1/2" - 11.5 | 53.5 | 61 | 50 | |

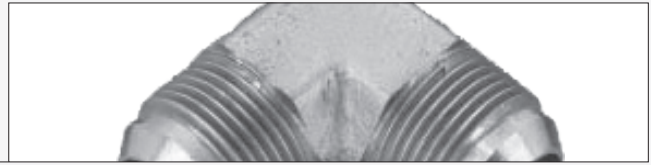
FF1236 SERIES

ORFS MALE x ORFS FEMALE

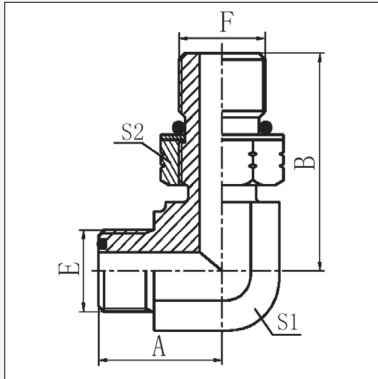


| Product Code | Thread | | Dimensions mm | | | | |
|--------------|---------------|---------------|---------------|-----|----|----|----|
| | E (ORFS) | F (ORFS') | A | B | S1 | S2 | P |
| FF1236-0404 | 9/16" - 18 | 9/16" - 18 | 23 | 8.5 | 14 | 19 | 37 |
| FF1236-0606 | 11/16" - 16 | 11/16" - 16 | 27.5 | 10 | 19 | 22 | 42 |
| FF1236-0808 | 13/16" - 16 | 13/16" - 16 | 31 | 11 | 22 | 27 | 54 |
| FF1236-1010 | 1" - 14 | 1" - 14 | 36.5 | 15 | 27 | 30 | 59 |
| FF1236-1212 | 1.3/16" - 12 | 1.3/16" - 12 | 41 | 15 | 30 | 36 | 66 |
| FF1236-1616 | 1.7/16" - 12 | 1.7/16" - 12 | 48 | 15 | 41 | 41 | 74 |
| FF1236-2020 | 1.11/16" - 12 | 1.11/16" - 12 | 47.5 | 15 | 41 | 50 | 79 |
| FF1236-2424 | 2" - 12 | 2" - 12 | 57 | 66 | 55 | 60 | 83 |

90° ELBOWS



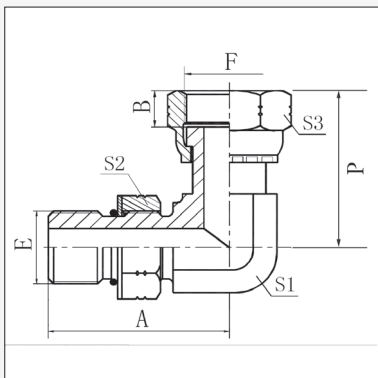
FF1238 SERIES ORFS MALE x UN'O' MALE



| Product Code | Thread | | Dimensions mm | | | | |
|---------------|---------------|--------------|---------------|------|----|----|--|
| | E (ORFS) | F (UN'O') | A | B | S1 | S2 | |
| FF1238-0404 | 9/16" - 18 | 7/16" - 20 | 23 | 30.3 | 14 | 17 | |
| FF1238-0406 | 9/16" - 18 | 9/16" - 18 | 23 | 32 | 14 | 19 | |
| FF1238-0408 † | 9/16" - 18 | 3/4" - 16 | 25.5 | 38 | 19 | 24 | |
| FF1238-0604 | 11/16" - 16 | 7/16" - 20 | 27.5 | 33.5 | 19 | 17 | |
| FF1238-0606 | 11/16" - 16 | 9/16" - 18 | 27.5 | 34.5 | 19 | 19 | |
| FF1238-0608 | 11/16" - 16 | 3/4" - 16 | 27.5 | 38 | 19 | 24 | |
| FF1238-0806 | 13/16" - 16 | 9/16" - 18 | 31 | 37 | 22 | 19 | |
| FF1238-0808 | 13/16" - 16 | 3/4" - 16 | 31 | 40.5 | 22 | 24 | |
| FF1238-0810 | 13/16" - 16 | 7/8" - 14 | 31 | 45.3 | 22 | 27 | |
| FF1238-0812 | 13/16" - 16 | 1.1/16" - 12 | 34.5 | 52 | 27 | 32 | |
| FF1238-1010 | 1" - 14 | 7/8" - 14 | 36.5 | 50.8 | 27 | 27 | |
| FF1238-1012 | 1" - 14 | 1.1/16" - 12 | 36.5 | 52 | 27 | 32 | |
| FF1238-1210 † | 1.3/16" - 12 | 7/8" - 14 | 41 | 52.8 | 30 | 27 | |
| FF1238-1212 | 1.3/16" - 12 | 1.1/16" - 12 | 41 | 54 | 30 | 32 | |
| FF1238-1214 | 1.3/16" - 12 | 1.3/16" - 12 | | | | | |
| FF1238-1216 | 1.3/16" - 12 | 1.5/16" - 12 | 43 | 55.5 | 33 | 41 | |
| FF1238-1612 | 1.7/16" - 12 | 1.1/16" - 12 | 48 | 60 | 41 | 32 | |
| FF1238-1616 | 1.7/16" - 12 | 1.5/16" - 12 | 48 | 60 | 41 | 41 | |
| FF1238-2020 | 1.11/16" - 12 | 1.5/8" - 12 | 47.5 | 60.5 | 41 | 50 | |
| FF1238-2424 | 2" - 12 | 1.7/8" - 12 | 53.5 | 67.5 | 50 | 55 | |

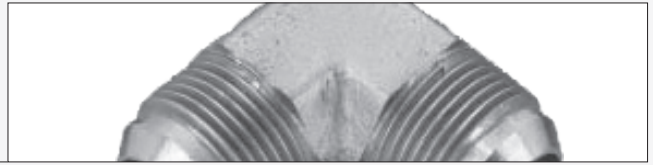
† Available upon request - Non Standard Product

FF1239 SERIES UN'O' MALE x ORFS FEMALE



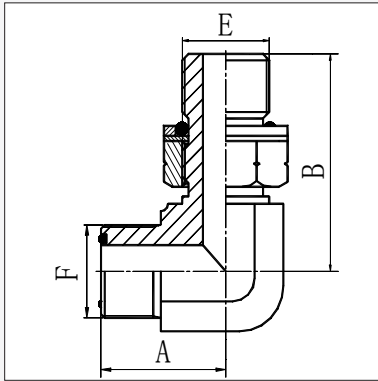
| Product Code | Thread | | Dimensions mm | | | | |
|--------------|--------------|---------------|---------------|------|----|----|------|
| | E (UN'O') | F (ORFS) | A | B | S1 | S2 | P |
| FF1239-0404 | 7/16" - 20 | 9/16" - 18 | 30 | 8.5 | 14 | 19 | 34 |
| FF1239-0606 | 9/16" - 18 | 11/16" - 16 | 34.5 | 10 | 16 | 22 | 39 |
| FF1239-0808 | 3/4" - 16 | 13/16" - 16 | 37.5 | 11 | 19 | 27 | 48 |
| FF1239-1010 | 7/8" - 14 | 1" - 14 | 45.2 | 13.5 | 22 | 30 | 54.5 |
| FF1239-1212 | 1.1/16" - 12 | 1.3/16" - 12 | 52 | 15 | 27 | 36 | 60.5 |
| FF1239-1616 | 1.5/16" - 12 | 1.7/16" - 12 | 56 | 15 | 33 | 41 | 68.5 |
| FF1239-2020 | 1.5/8" - 12 | 1.11/16" - 12 | 59 | 15 | 41 | 50 | 73 |
| FF1239-2424 | 1.7/8" - 12 | 2" - 12 | 63 | 16 | 48 | 55 | 76 |

90° ELBOWS



FF1291 SERIES

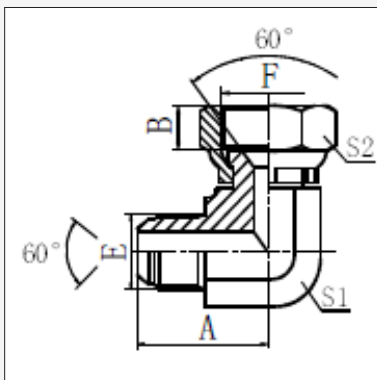
BSPM MALE x ORFS MALE 90° ELBOW



| Product Code | Thread | | Dimensions mm | | | |
|--------------|-----------|--------------|---------------|------|--|--|
| | E (BSPM) | F (ORFS) | A | B | | |
| FF1291-0204 | 1/8" - 28 | 9/16" - 18 | 21.5 | 30 | | |
| FF1291-0404 | 1/4" - 19 | 9/16" - 18 | 23.5 | 35 | | |
| FF1291-0406 | 1/4" - 19 | 11/16" - 16 | 25 | 36 | | |
| FF1291-0408 | 1/4" - 19 | 13/16" - 16 | 28 | 35 | | |
| FF1291-0604 | 3/8" - 19 | 9/16" - 18 | 25 | 38 | | |
| FF1291-0606 | 3/8" - 19 | 11/16" - 16 | 28 | 38 | | |
| FF1291-0608 | 3/8" - 19 | 13/16" - 16 | 28 | 43 | | |
| FF1291-0806 | 1/2" - 14 | 11/16" - 16 | 29.5 | 43 | | |
| FF1291-0808 | 1/2" - 14 | 13/16" - 16 | 31 | 43 | | |
| FF1291-0810 | 1/2" - 14 | 1" - 14 | 33.5 | 48 | | |
| FF1291-0812 | 1/2" - 14 | 1.3/16" - 12 | 37.5 | 49 | | |
| FF1291-1212 | 3/4" - 14 | 1.3/16" - 12 | 37.5 | 51.5 | | |

CVDJ SERIES

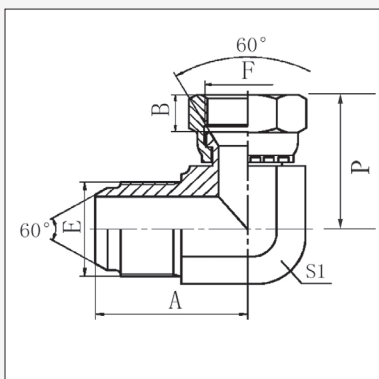
90° JIS BSP MALE X JIS BSP FEMALE



| Product Code | Thread | | Dimensions mm | | | |
|--------------|------------|------------|---------------|---|----|----|
| | E (JISBSP) | F (JISBSP) | A | B | S1 | S2 |
| CVDJ-06-06 | 3/8"X19 | 3/8"X19 | 31.5 | 9 | 16 | 22 |

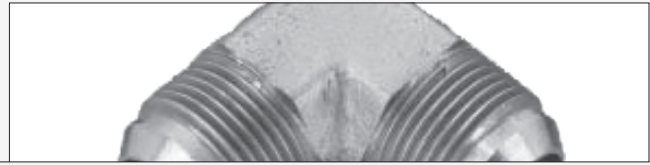
KAB SERIES

JIS METRIC MALE x JIS METRIC FEMALE



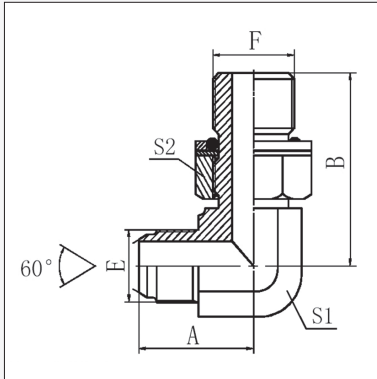
| Product Code | Thread | | Dimensions mm | | | | |
|--------------|-------------|-------------|---------------|------|----|-----|------|
| | E (JISMet.) | F (JISMet.) | A | B | S1 | NUT | P |
| KAB-14-14 | M14 - 1.5 | M14 - 1.5 | 28.5 | 10.5 | 14 | 19 | 32 |
| KAB-16-16 | M16 - 1.5 | M16 - 1.5 | 31.5 | 10 | 16 | 22 | 35 |
| KAB-18-18 | M18 - 1.5 | M18 - 1.5 | 33.8 | 11.5 | 19 | 24 | 37 |
| KAB-22-22 | M22 - 1.5 | M22 - 1.5 | 38 | 14 | 22 | 27 | 42 |
| KAB-24-24 | M24 - 1.5 | M24 - 1.5 | 41.2 | 15 | 24 | 30 | 44.5 |
| KAB-30-24 | M30 - 1.5 | M24 - 1.5 | 47.5 | 15 | 30 | 30 | 51 |
| KAB-30-30 | M30 - 1.5 | M30 - 1.5 | 48 | 18.3 | 30 | 36 | 54 |
| KAB-33-33 | M33 - 1.5 | M33 - 1.5 | 55 | 21.3 | 33 | 41 | 64 |

90° ELBOWS



KEA SERIES

JIS METRIC MALE x JIS METRIC O-RING MALE



| Product Code | Thread | | Dimensions mm | | | |
|--------------|--------------|--------------|---------------|------|----|----|
| | E (JIS Met.) | F (JIS Met.) | A | B | S1 | S2 |
| KEA-14-12 | M14 - 1.5 | M12 - 1.5 | 25.5 | 31.5 | 14 | 17 |
| KEA-16-14 | M16 - 1.5 | M14 - 1.5 | 30.5 | 34 | 16 | 19 |
| KEA-18-14 | M18 - 1.5 | M14 - 1.5 | 30.8 | 35.5 | 19 | 19 |
| KEA-18-16 | M18 - 1.5 | M16 - 1.5 | 33.8 | 36 | 19 | 22 |
| KEA-18-20 | M18 - 1.5 | M20 - 1.5 | 30.8 | 37 | 19 | 27 |



SECTION 4 45° ELBOWS

PAGE

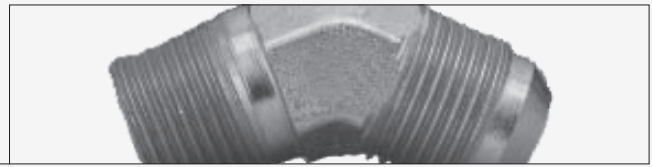
| | | | |
|---------------|---------------------------|---------------------|-------------|
| CGB | JIC x JIC | M / F _{sw} | D 49 |
| CJA | BSPT x JIC | M / M | D 49 |
| CJAN | NPT x JIC | M / M | D 50 |
| CJD | BSPT x BSPP | M / F _{sw} | D 50 |
| CJDN | NPT x NPSM | M / F _{sw} | D 51 |
| CJJ | BSPT x BSPT | M / M | D 51 |
| CJP | BSPT FEMALE X BSPT FEMALE | F / F | D 51 |
| CJPN | NPTF x NPTF FIXED | M / F | D 52 |
| CKA | UN'O' x JIC | M / M | D 52 |
| CKB | UN'O' MALE x BSPT MALE | M / M | D 52 |
| FF1206 | NPT x ORFS | M / M | D 53 |
| FF1240 | ORFS x UN'O' | M / M | D 53 |
| FF1207 | ORFS x ORFS | M / F | D 54 |
| CJAP | BSPP X JIC | M / M | D 54 |



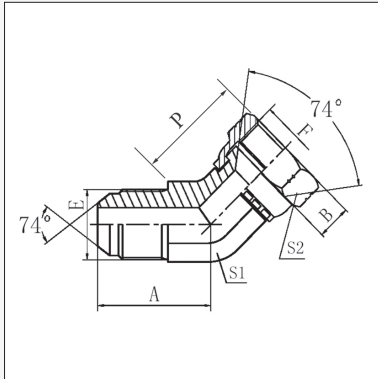
SECTION 5 TUBE WELD

| | | | |
|---------------|--------------------------------|---------------------|-------------|
| BG | CODE 61 FLANGE x IMP. TUBE | - | D 55 |
| BH | CODE 62 FLANGE x IMP. TUBE | - | D 55 |
| BM | BSPT x IMP. TUBE | M / - | D 56 |
| BP | BSPP x IMP. TUBE | M / - | D 56 |
| BJ | BSPP x IMP. TUBE | F _{sw} / - | D 57 |
| BC | JIC x IMP. TUBE | M / - | D 57 |
| BD | JIC x IMP. TUBE 90° ELBOW | M / - | D 58 |
| BF | JIC x IMP TUBE | F _{sw} / - | D 58 |
| FF3020 | ORFS x IMP. TUBE Socket Weld | M / - | D 59 |
| FF3031 | ORFS SHOULDER x IMP. TUBE Int. | F / - | D 59 |
| FF3032 | ORFS SHOULDER x IMP. TUBE Ext. | F / - | D 60 |
| FF3021 | ORFS x ORFS x IMP. TUBE | M / M / - | D 60 |

45° ELBOWS



CGB SERIES JIC MALE x JIC FEMALE

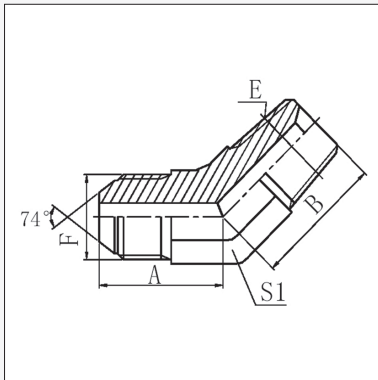


| Product Code | Thread | | Dimensions mm | | | | |
|------------------------|--------------|--------------|---------------|------|----|----|------|
| | E (JIC) | F (JIC) | A | B | L | S2 | P |
| CGB-07-07 ^a | 7/16" - 20 | 7/16" - 20 | 18 | 9 | 11 | 15 | 24 |
| CGB-08-08 | 1/2" - 20 | 1/2" - 20 | 19.5 | 9.5 | 14 | 17 | 25.5 |
| CGB-09-09 ^a | 9/16" - 18 | 9/16" - 18 | 21 | 10.5 | 14 | 19 | 28.5 |
| CGB-10-10 [†] | 5/8" - 18 | 5/8" - 18 | | | | | |
| CGB-12-12 ^a | 3/4" - 16 | 3/4" - 16 | 25 | 11 | 19 | 24 | 32.5 |
| CGB-14-14 | 7/8" - 14 | 7/8" - 14 | 28 | 13 | 22 | 27 | 36.5 |
| CGB-17-17 | 1.1/16" - 12 | 1.1/16" - 12 | 32.5 | 15 | 27 | 32 | 38 |
| CGB-21-21 ^a | 1.5/16" - 12 | 1.5/16" - 12 | 37 | 16 | 33 | 41 | 44.5 |
| CGB-26-26 | 1.5/8" - 12 | 1.5/8" - 12 | 40.5 | 17 | 41 | 50 | 51.5 |
| CGB-30-30 | 1.7/8" - 12 | 1.7/8" - 12 | 45 | 20 | 48 | 55 | 57 |
| CGB-40-40 | 2.1/2"-12 | 2.1/2"-12 | 58 | 24.5 | 63 | 75 | |

[†] SAE Thread Form

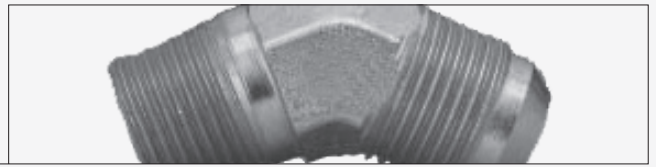
^a Also available with Imperial dimensioned hex nut. **Product Code CGBI**

CJA SERIES BSPT MALE x JIC MALE



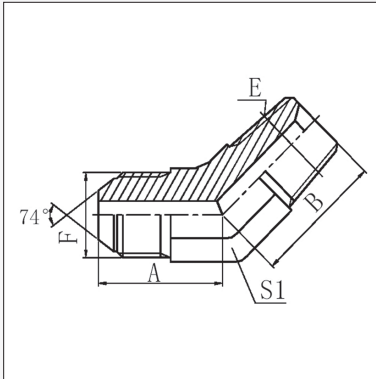
| Product Code | Thread | | Dimensions mm | | | |
|--------------|-------------|------------------------|---------------|------|----|--|
| | E (BSPT) | F (JIC) | A | B | S1 | |
| CJA-02-07 | 1/8" - 28 | 7/16" - 20 | 21.5 | 17 | 11 | |
| CJA-02-08 | 1/8" - 28 | 1/2" - 20 | 21.5 | 17.5 | 14 | |
| CJA-02-09 | 1/8" - 28 | 9/16" - 18 | 22.8 | 18.2 | 14 | |
| CJA-04-07 | 1/4" - 19 | 7/16" - 20 | 22.3 | 21 | 14 | |
| CJA-04-08 | 1/4" - 19 | 1/2" - 20 | 22.3 | 21 | 14 | |
| CJA-04-09 | 1/4" - 19 | 9/16" - 18 | 22.8 | 21 | 14 | |
| CJA-04-10 | 1/4" - 19 | 5/8" - 18 [†] | 25 | 21 | 16 | |
| CJA-04-12 | 1/4" - 19 | 3/4" - 16 | 26.8 | 22 | 19 | |
| CJA-06-09 | 3/8" - 19 | 9/16" - 18 | 22 | 23 | 16 | |
| CJA-06-10 | 3/8" - 19 | 5/8" - 18 [†] | 25 | 23 | 16 | |
| CJA-06-12 | 3/8" - 19 | 3/4" - 16 | 26.8 | 24 | 19 | |
| CJA-06-14 | 3/8" - 19 | 7/8" - 14 | 31 | 25 | 22 | |
| CJA-08-09 | 1/2" - 14 | 9/16" - 18 | 25 | 29.5 | 22 | |
| CJA-08-12 | 1/2" - 14 | 3/4" - 16 | 28 | 29.5 | 22 | |
| CJA-08-14 | 1/2" - 14 | 7/8" - 14 | 31 | 29.5 | 22 | |
| CJA-08-17 | 1/2" - 14 | 1.1/16" - 12 | 35.5 | 30 | 27 | |
| CJA-12-12 | 3/4" - 14 | 3/4" - 16 | 29 | 30.5 | 27 | |
| CJA-12-14 | 3/4" - 14 | 7/8" - 14 | 32 | 30.5 | 27 | |
| CJA-12-17 | 3/4" - 14 | 1.1/16" - 12 | 35.5 | 30.5 | 27 | |
| CJA-12-21 | 3/4" - 14 | 1.5/16" - 12 | 38.5 | 32.5 | 33 | |
| CJA-16-21 | 1" - 11 | 1.5/16" - 12 | 38.5 | 38 | 33 | |
| CJA-20-26 | 1.1/4" - 11 | 1.5/8" - 12 | 43 | 43 | 41 | |
| CJA-24-30 | 1.1/2" - 11 | 1.7/8" - 12 | 49 | 47.5 | 48 | |

45° ELBOWS



CJAN SERIES

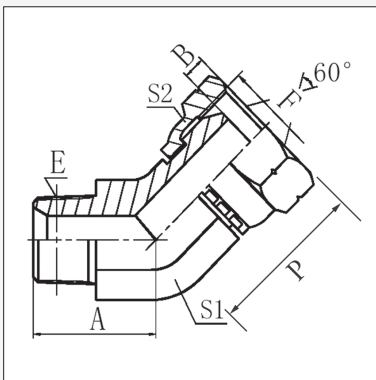
NPT MALE x JIC MALE



| Product Code | Thread | | Dimensions mm | | | |
|--------------|---------------|--------------|---------------|------|----|--|
| | E (NPT) | F (JIC) | A | B | S1 | |
| CJAN-02-07 | 1/8" - 27 | 7/16" - 20 | 21.5 | 17 | 11 | |
| CJAN-02-08 | 1/8" - 27 | 1/2" - 20 | 22.3 | 18 | 14 | |
| CJAN-04-07 | 1/4" - 18 | 7/16" - 20 | 22.3 | 21 | 14 | |
| CJAN-04-08 | 1/4" - 18 | 1/2" - 20 | 22.3 | 21 | 14 | |
| CJAN-04-09 | 1/4" - 18 | 9/16" - 18 | 22.8 | 21 | 14 | |
| CJAN-04-10 | 1/4" - 18 | 5/8" - 18 † | 25 | 21 | 16 | |
| CJAN-04-12 | 1/4" - 18 | 3/4" - 16 | 26.8 | 22 | 19 | |
| CJAN-06-09 | 3/8" - 18 | 9/16" - 18 | 24 | 24 | 19 | |
| CJAN-06-12 | 3/8" - 18 | 3/4" - 16 | 26.8 | 24 | 19 | |
| CJAN-06-14 | 3/8" - 18 | 7/8" - 14 | 31 | 26 | 22 | |
| CJAN-08-09 | 1/2" - 14 | 9/16" - 18 | 25 | 29.5 | 22 | |
| CJAN-08-12 | 1/2" - 14 | 3/4" - 16 | 28 | 29.5 | 22 | |
| CJAN-08-14 | 1/2" - 14 | 7/8" - 14 | 31 | 29.5 | 22 | |
| CJAN-12-12 | 3/4" - 14 | 3/4" - 16 | 29 | 35 | 27 | |
| CJAN-12-14 | 3/4" - 14 | 7/8" - 14 | 32 | 35 | 27 | |
| CJAN-12-17 | 3/4" - 14 | 1.1/16" - 12 | 35.5 | 35 | 27 | |
| CJAN-16-17 | 1" - 11.5 | 1.1/16" - 12 | | | | |
| CJAN-16-21 | 1" - 11.5 | 1.5/16" - 12 | 38.5 | 39 | 33 | |
| CJAN-20-26 | 1.1/4" - 11.5 | 1.5/8" - 12 | 43 | 42 | 41 | |
| CJAN-24-30 | 1.1/2" - 11.5 | 1.7/8" - 12 | 49 | 47.5 | 48 | |

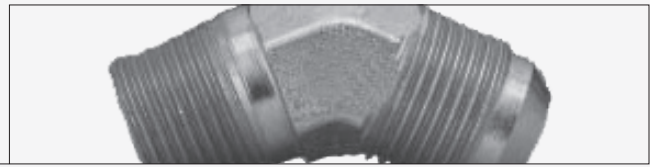
CJD SERIES

BSPT MALE x BSPP FEMALE

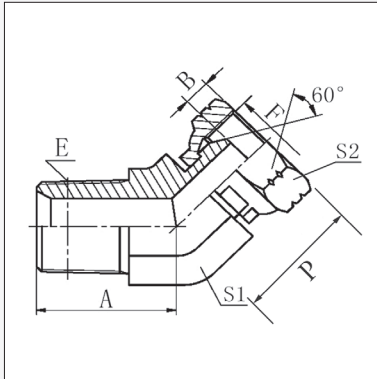


| Product Code | Thread | | Dimensions mm | | | | |
|--------------|-------------|-------------|---------------|------|----|----|----|
| | E (BSPT) | F (BSPP) | A | B | S1 | S2 | P |
| CJD-02-02 | 1/8" - 28 | 1/8" - 28 | 17 | 5.5 | 11 | 14 | 25 |
| CJD-04-04 | 1/4" - 19 | 1/4" - 19 | 21 | 5.5 | 14 | 19 | 27 |
| CJD-06-06 | 3/8" - 19 | 3/8" - 19 | 23 | 6.3 | 16 | 22 | 30 |
| CJD-08-08 | 1/2" - 14 | 1/2" - 14 | 29.5 | 7.5 | 22 | 27 | 33 |
| CJD-12-12 | 3/4" - 14 | 3/4" - 14 | 30.5 | 10.9 | 27 | 32 | 41 |
| CJD-16-16 | 1" - 11 | 1" - 11 | 38 | 11.7 | 33 | 41 | 46 |
| CJD-20-20 | 1.1/4" - 11 | 1.1/4" - 11 | 43 | 11 | 41 | 50 | 48 |
| CJD-24-24 | 1.1/2" - 11 | 1.1/2" - 11 | 47.5 | 13 | 48 | 55 | 56 |

45° ELBOWS

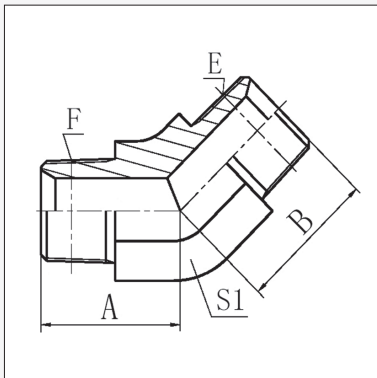


CJDN SERIES NPT MALE x NPSM FEMALE



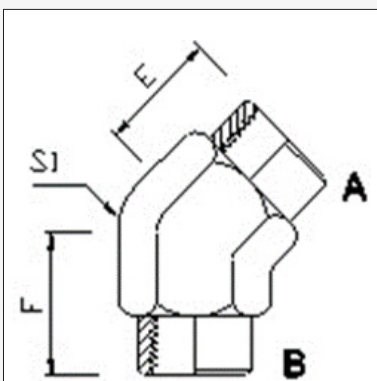
| Product Code | Thread | | Dimensions mm | | | | |
|--------------|---------------|---------------|---------------|------|----|----|----|
| | E (NPT) | F (NPSM) | A | B | S1 | S2 | P |
| CJDN-02-02 | 1/8" - 27 | 1/8" - 27 | 17 | 3.5 | 11 | 15 | 25 |
| CJDN-04-04 | 1/4" - 18 | 1/4" - 18 | 21 | 4.6 | 14 | 19 | 27 |
| CJDN-06-06 | 3/8" - 18 | 3/8" - 18 | 24 | 6 | 19 | 22 | 30 |
| CJDN-08-08 | 1/2" - 14 | 1/2" - 14 | 29.5 | 7.5 | 22 | 27 | 33 |
| CJDN-12-12 | 3/4" - 14 | 3/4" - 14 | 35 | 8.9 | 27 | 32 | 41 |
| CJDN-16-16 | 1" - 11.5 | 1" - 11.5 | 39 | 10.5 | 33 | 41 | 46 |
| CJDN-20-20 | 1.1/4" - 11.5 | 1.1/4" - 11.5 | 42.5 | 11.2 | 41 | 50 | 48 |
| CJDN-24-24 | 1.1/2" - 11.5 | 1.1/2" - 11.5 | 45 | 11.2 | 48 | 55 | 56 |
| CJDN-32-32 | 2" - 11.5 | 2" - 11.5 | 52.5 | 11.2 | 63 | 70 | 60 |

CJJ SERIES BSPT MALE x BSPT MALE



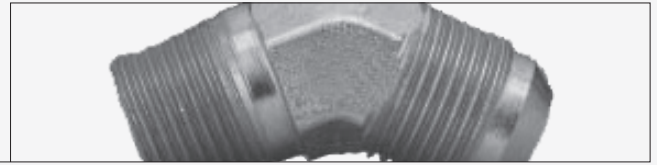
| Product Code | Thread | | Dimensions mm | | | |
|--------------|-----------|-----------|---------------|------|----|--|
| | E (BSPT) | F (BSPT) | A | B | S1 | |
| CJJ-02-02 | 1/8" - 28 | 1/8" - 28 | 17 | 17 | 11 | |
| CJJ-04-04 | 1/4" - 19 | 1/4" - 19 | 21 | 21 | 14 | |
| CJJ-06-04 | 3/8" - 19 | 1/4" - 19 | 21 | 23 | 16 | |
| CJJ-06-06 | 3/8" - 19 | 3/8" - 19 | 23 | 23 | 16 | |
| CJJ-08-06 | 1/2" - 14 | 3/8" - 19 | 25 | 29.5 | 22 | |
| CJJ-08-08 | 1/2" - 14 | 1/2" - 14 | 29.5 | 29.5 | 22 | |
| CJJ-12-08 | 3/4" - 14 | 1/2" - 14 | 30 | 30.5 | 27 | |
| CJJ-12-12 | 3/4" - 14 | 3/4" - 14 | 30.5 | 30.5 | 27 | |
| CJJ-16-12 | 1" - 11 | 3/4" - 14 | 32.5 | 38 | 33 | |
| CJJ-16-16 | 1" - 11 | 1" - 11 | 38 | 38 | 33 | |

CJP SERIES BSPT FEMALE X BSPT FEMALE

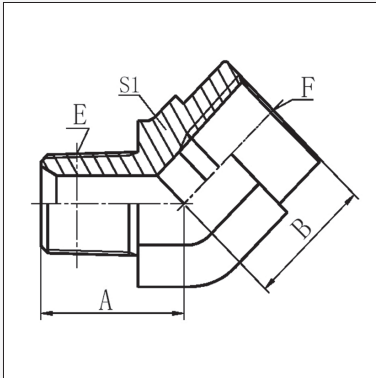


| Product Code | Thread | | Dimensions mm | | |
|--------------|----------|----------|---------------|------|----|
| | A (BSPT) | B (BSPT) | E | F | S1 |
| CJP-04-04 | 1/4"-19 | 1/4"-19 | 17.5 | 17.5 | 19 |

45° ELBOWS

**CJPN** SERIES

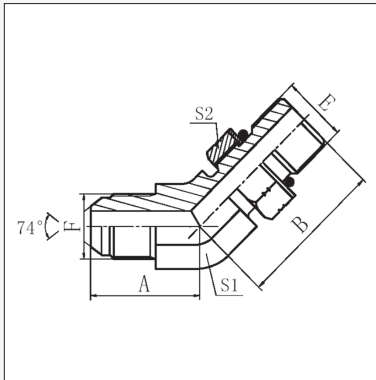
NPT MALE x NPTF FIXED FEMALE



| Product Code | Thread | | Dimensions mm | | | |
|--------------|-----------|-----------|---------------|------|----|--|
| | E (NPT) | F (NPTF) | A | B | S1 | |
| CJPN-02-02 | 1/8" - 27 | 1/8" - 27 | 19 | 17 | 16 | |
| CJPN-04-04 | 1/4" - 18 | 1/4" - 18 | 22 | 20 | 19 | |
| CJPN-06-06 | 3/8" - 18 | 3/8" - 18 | 27 | 19 | 24 | |
| CJPN-08-08 | 1/2" - 14 | 1/2" - 14 | 31.7 | 28 | 30 | |
| CJPN-12-12 | 3/4" - 14 | 3/4" - 14 | 36.5 | 30 | 33 | |
| CJPN-16-16 | 1" - 11.5 | 1" - 11.5 | 42.5 | 37.5 | 41 | |

CKA SERIES

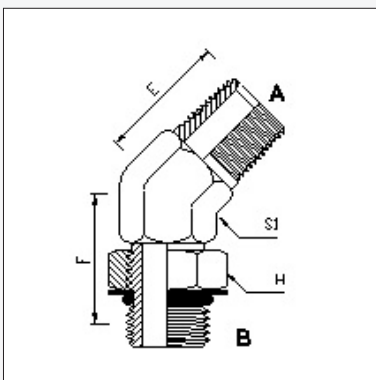
UN'O' MALE x JIC MALE



| Product Code | Thread | | Dimensions mm | | | |
|--------------|--------------|--------------|---------------|------|----|------|
| | E (UN'O') | F (JIC) | A | B | S1 | S2 |
| CKA-07-07 | 7/16" - 20 | 7/16" - 20 | 21 | 24 | 11 | 17 |
| CKA-09-07 | 9/16" - 18 | 7/16" - 20 | 22.3 | 27.5 | 14 | 19 |
| CKA-09-09 | 9/16" - 18 | 9/16" - 18 | 23.5 | 28 | 14 | 19 |
| CKA-09-12 | 9/16" - 18 | 3/4" - 16 | 25.8 | 30 | 19 | 19 |
| CKA-12-09 | 3/4" - 16 | 9/16" - 18 | 25.8 | 30 | 19 | 19 |
| CKA-12-12 | 3/4" - 16 | 3/4" - 16 | 25.8 | 32.5 | 19 | 24 |
| CKA-12-14 | 3/4" - 16 | 7/8" - 14 | 29.5 | 33 | 22 | 27 |
| CKA-14-12 | 7/8" - 14 | 3/4" - 16 | 28 | 38.7 | 22 | 27 |
| CKA-14-14 | 7/8" - 14 | 7/8" - 14 | 29.5 | 38.7 | 22 | 27 |
| CKA-14-17 | 7/8" - 14 | 1.1/16" - 12 | 34 | 42 | 27 | 27 |
| CKA-17-12 | 1.1/16" - 12 | 3/4" - 16 | 30 | 43.9 | 27 | 32 |
| CKA-17-14 | 1.1/16" - 12 | 7/8" - 14 | 33 | 43.9 | 27 | 32 |
| CKA-17-17 | 1.1/16" - 12 | 1.1/16" - 12 | 34 | 43.5 | 27 | 32 |
| CKA-21-17 | 1.5/16" - 12 | 1.1/16" - 12 | 36 | 47 | 33 | 38.1 |
| CKA-21-21 | 1.5/16" - 12 | 1.5/16" - 12 | 38 | 45.5 | 33 | 41 |
| CKA-21-26 | 1.5/16" - 12 | 1.5/8" - 12 | 38 | 46 | 40 | 37.7 |
| CKA-26-26 | 1.5/8" - 12 | 1.5/8" - 12 | 42 | 48.5 | 41 | 50 |

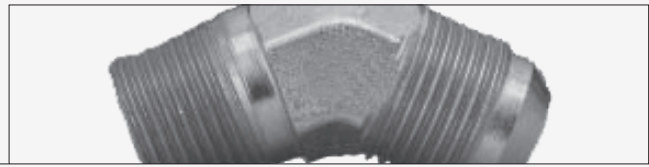
CKB SERIES

UN'O' MALE x BSPT MALE

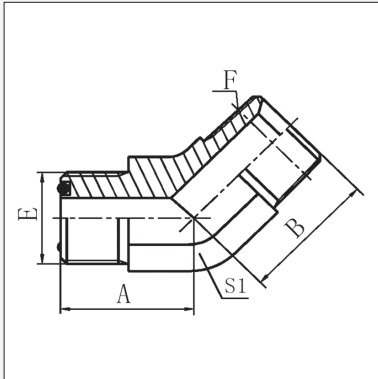


| "Product Code" | Thread | | Dimensions mm | | | |
|----------------|---------|----------|---------------|----|----|----|
| | B (UNO) | A (BSPT) | E | F | S1 | H |
| CKB-12-08 | 3/4"-16 | 1/2"-14 | 30 | 33 | 22 | 24 |

45° ELBOWS

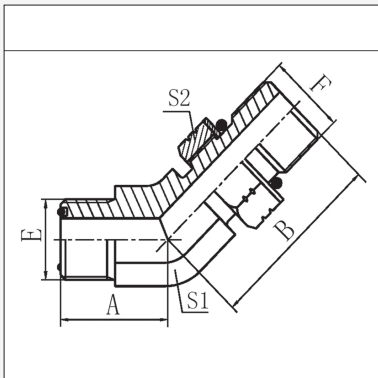


FF1206 SERIES ORFS MALE x NPTF MALE



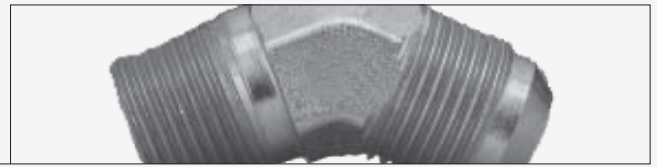
| Product Code | Thread | | Dimensions mm | | | |
|--------------|-------------|-----------|---------------|------|----|--|
| | E (ORFS) | F (NPTF) | A | B | S1 | |
| FF1206-0402 | 9/16" - 18 | 1/8" - 27 | 18.3 | 18 | 14 | |
| FF1206-0404 | 9/16" - 18 | 1/4" - 18 | 18.3 | 21 | 14 | |
| FF1206-0604 | 11/16" - 16 | 1/4" - 18 | 20.5 | 22 | 19 | |
| FF1206-0606 | 11/16" - 16 | 3/8" - 18 | 20.5 | 24 | 19 | |
| FF1206-0808 | 13/16" - 16 | 1/2" - 14 | 24 | 29.5 | 22 | |

FF1240 SERIES ORFS MALE x UN'O' MALE



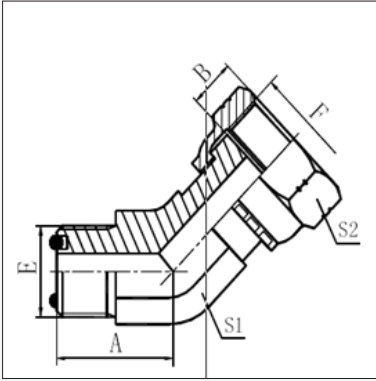
| Product Code | Thread | | Dimensions mm | | | |
|--------------|---------------|--------------|---------------|------|----|----|
| | E (ORFS) | F (UN'O') | A | B | L | S1 |
| FF1240-0404 | 9/16" - 18 | 7/16" - 20 | 18.3 | 26 | 14 | 17 |
| FF1240-0406 | 9/16" - 18 | 9/16" - 18 | 18.3 | 23 | 14 | 19 |
| FF1240-0604 | 11/16" - 16 | 7/16" - 20 | 20.5 | 27.3 | 19 | 17 |
| FF1240-0606 | 11/16" - 16 | 9/16" - 18 | 20.5 | 29.5 | 19 | 19 |
| FF1240-0608 | 11/16" - 16 | 3/4" - 16 | 20.5 | 32.5 | 19 | 24 |
| FF1240-0808 | 13/16" - 16 | 3/4" - 16 | 24 | 34 | 22 | 24 |
| FF1240-0810 | 13/16" - 16 | 7/8" - 14 | 24 | 39.5 | 22 | 27 |
| FF1240-1008 | 1" - 14 | 3/4" - 16 | 28 | 34 | 27 | 24 |
| FF1240-1010 | 1" - 14 | 7/8" - 14 | 28 | 39.5 | 27 | 27 |
| FF1240-1012 | 1" - 14 | 1.1/16" - 12 | 28 | 44 | 27 | 32 |
| FF1240-1210 | 1.3/16" - 12 | 7/8" - 14 | 31.5 | 43.3 | 33 | 27 |
| FF1240-1212 | 1.3/16" - 12 | 1.1/16" - 12 | 31.5 | 46 | 33 | 32 |
| FF1240-1216 | 1.3/16" - 12 | 1.5/16" - 12 | 32.5 | 47.9 | 36 | 41 |
| FF1240-1612 | 1.7/16" - 12 | 1.1/16" - 12 | 33 | 47.9 | 36 | 32 |
| FF1240-1616 | 1.7/16" - 12 | 1.5/16" - 12 | 33 | 47.9 | 36 | 41 |
| FF1240-1620 | 1.7/16" - 12 | 1.5/8" - 12 | 33 | 47.9 | 36 | 32 |
| FF1240-2020 | 1.11/16" - 12 | 1.5/8" - 12 | 35.5 | 50.5 | 41 | 50 |
| FF1240-2424 | 2" - 12 | 1.7/8" - 12 | 39 | 53.5 | 50 | 55 |

45° ELBOWS



FF1207 SERIES

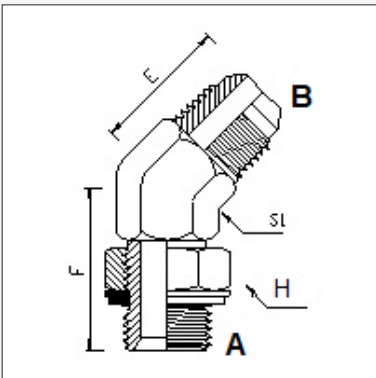
ORFS MALE X ORFS FEMALE



| Product Code | Thread | | Dimensions mm | | | | |
|--------------|------------|------------|---------------|------|-----|------|------|
| | E (ORFS) | F (ORFS) | E O-Ring | A | B | S1 | S2 |
| FF1207-0404 | 9/16"-18 | 9/16"-18 | O011 | 20.4 | 8.2 | 14 | 17 |
| FF1207-0606 | 11/16"-16 | 11/16"-16 | O012 | 23.9 | 9 | 19 | 22 |
| FF1207-0808 | 13/16"-16 | 13/16"-16 | O014 | 24 | 11 | 22 | 27 |
| FF1207-1010 | 1"-14 | 1"-14 | O016 | 28 | 13 | 27 | 30 |
| FF1207-1212 | 1.3/16"-12 | 1.3/16"-12 | O018 | 26 | 15 | 30.2 | 34.9 |

CJAP SERIES

BSPM MALE X JIC MALE

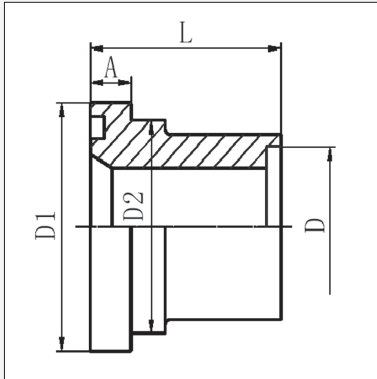


| "Product Code" | Thread | | Dimensions mm | | | |
|----------------|----------|----------|---------------|----|----|----|
| | A (BSPM) | B (JIC) | E | F | S1 | H |
| CJAP-04-09 | 1/4"-19 | 9/16"-18 | 22 | 28 | 14 | 19 |
| CJAP-06-09 | 3/8"-19 | 9/16"-18 | 23 | 32 | 19 | 22 |
| CJAP-08-09 | 1/2"-14 | 9/16"-18 | 25 | 36 | 22 | 27 |

TUBE WELD

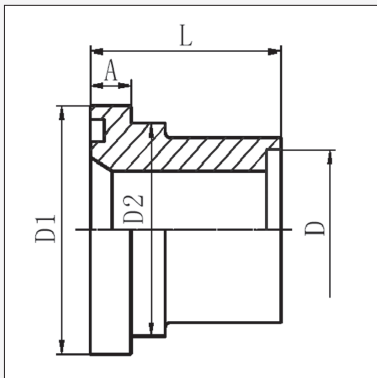


BG SERIES CODE 61 FLANGE x IMPERIAL TUBE



| Product Code | Flange Size | Tube Recess | Max.Work. Pressure | Dimensions (mm) | | | |
|--------------|-------------|-------------|--------------------|-----------------|------|------|------|
| | ins. | øD mm | bar | A | D1 | D2 | L |
| BG-08-08 | 1/2" | 12.7 | 345 | 7 | 30.2 | 23.9 | 26 |
| BG-10-10 | 5/8" | 16.0 | 345 | | | | |
| BG-12-08 | 3/4" | 12.7 | 345 | 7 | 38.1 | 31.7 | 28 |
| BG-12-12 | 3/4" | 19.0 | 345 | 6.73 | 38.1 | 32 | 30 |
| BG-16-12 | 1" | 19.0 | 345 | 8 | 44.4 | 38 | 30 |
| BG-16-16 | 1" | 25.4 | 345 | 8 | 44.4 | 38 | 32 |
| BG-20-16 | 1.1/4" | 25.4 | 276 | 8 | 50.8 | 43 | 32 |
| BG-20-20 | 1.1/4" | 31.8 | 276 | 8.2 | 50.8 | 43.2 | 35 |
| BG-24-16 | 1.1/2" | 25.4 | 207 | 8.2 | 60.3 | 50.3 | 30.7 |
| BG-24-20 | 1.1/2" | 31.8 | 207 | 8.2 | 60.3 | 50.3 | 37 |
| BG-24-24 | 1.1/2" | 38.1 | 207 | 8.2 | 60.3 | 50.3 | 40 |
| BG-32-20 | 2" | 31.8 | 207 | 9.8 | 71.4 | 62.2 | 37 |
| BG-32-24 | 2" | 38.1 | 207 | 9.8 | 71.4 | 62.2 | 40 |
| BG-32-32 | 2" | 50.8 | 207 | 9.8 | 71.4 | 62.2 | 40 |

BH SERIES CODE 62 FLANGE x IMPERIAL TUBE



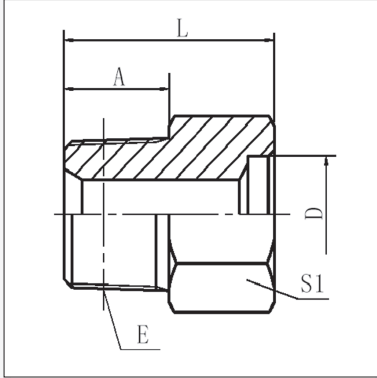
| Product Code | Flange Size | Tube Recess | Max.Work. Pressure | Dimensions (mm) | | | |
|--------------|-------------|-------------|--------------------|-----------------|------|------|----|
| | ins. | øD mm | bar | A | D1 | D2 | L |
| BH-12-12 | 3/4" | 19.0 | 414 | 8.9 | 41.3 | 31.7 | 33 |
| BH-16-16 | 1" | 25.4 | 414 | 9.6 | 47.6 | 38 | 37 |
| BH-20-20 | 1.1/4" | 31.8 | 414 | 10.4 | 54 | 43.6 | 42 |
| BH-24-24 | 1.1/2" | 38.1 | 414 | 12.7 | 63.5 | 50.8 | 45 |
| BH-32-32 | 2" | 50.8 | 414 | 12.7 | 79.4 | 66.5 | 45 |

TUBE WELD



BM SERIES

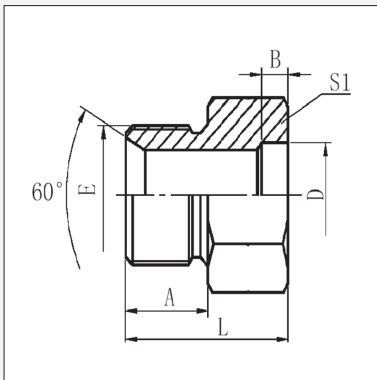
BSPT MALE x IMPERIAL TUBE



| Product Code | BSPT Thread | Tube Recess | Dimensions (mm) | | | |
|--------------|-------------|-------------|-----------------|------|----|--|
| | ins. | øD mm | A | L | S1 | |
| BM-04-04 | 1/4" - 19 | 6.25 | 14.5 | 23.5 | 14 | |
| BM-04-06 | 1/4" - 19 | 9.6 | 14.5 | 24.5 | 14 | |
| BM-04-08 | 1/4" - 19 | 12.7 | 14.5 | 24.5 | 17 | |
| BM-06-06 | 3/8" - 19 | 9.6 | 15 | 25 | 19 | |
| BM-06-08 | 3/8" - 19 | 12.7 | 15 | 25 | 19 | |
| BM-08-08 | 1/2" - 14 | 12.7 | 20 | 32 | 22 | |
| BM-08-10 | 1/2" - 14 | 16.0 | 20 | 33 | 22 | |
| BM-08-12 | 1/2" - 14 | 19.0 | 20 | 36 | 24 | |
| BM-12-12 | 3/4" - 14 | 19.0 | 20 | 36 | 30 | |
| BM-12-16 | 3/4" - 14 | 25.4 | 20 | 37 | 32 | |
| BM-16-16 | 1" - 11 | 25.4 | 25.5 | 42.5 | 36 | |
| BM-16-20 | 1" - 11 | 31.8 | 25.5 | 44.2 | 38 | |
| BM-20-20 | 1.1/4" - 11 | 31.8 | 26.5 | 45.5 | 46 | |
| BM-20-24 | 1.1/4" - 11 | 38.1 | 26.5 | 47.5 | 46 | |
| BM-24-24 | 1.1/2" - 11 | 38.1 | 26.5 | 47.5 | 50 | |

BP SERIES

BSPF MALE x IMPERIAL TUBE



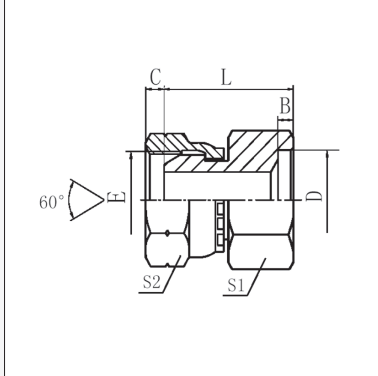
| Product Code | BSPF Thread | Tube Recess | Dimensions (mm) | | | |
|--------------|-------------|-------------|-----------------|---|------|----|
| | ins. | øD mm | A | B | L | S1 |
| BP-04-06 | 1/4" - 19 | 9.6 | 12 | 4 | 22 | 19 |
| BP-04-08 | 1/4" - 19 | 12.7 | 12 | 4 | 22 | 19 |
| BP-06-08 | 3/8" - 19 | 12.7 | 13.5 | 4 | 23.5 | 22 |
| BP-08-08 | 1/2" - 14 | 12.7 | 16 | 4 | 30 | 27 |
| BP-08-12 | 1/2" - 14 | 19.0 | 16 | 5 | 32 | 27 |
| BP-12-12 | 3/4" - 14 | 19.0 | 18.5 | 5 | 34.5 | 32 |
| BP-12-16 | 3/4" - 14 | 25.4 | 18.5 | 6 | 35.5 | 32 |
| BP-16-16 | 1" - 11 | 25.4 | 20.5 | 6 | 39.5 | 41 |
| BP-16-20 | 1" - 11 | 31.8 | 20.5 | 6 | 39.5 | 41 |
| BP-20-20 | 1.1/4" - 11 | 31.8 | 20.5 | 6 | 39.5 | 50 |
| BP-20-24 | 1.1/4" - 11 | 38.1 | 20.5 | 6 | 41.5 | 50 |
| BP-24-24 | 1.1/2" - 11 | 38.1 | 23 | 6 | 44 | 55 |

TUBE WELD



BJ SERIES

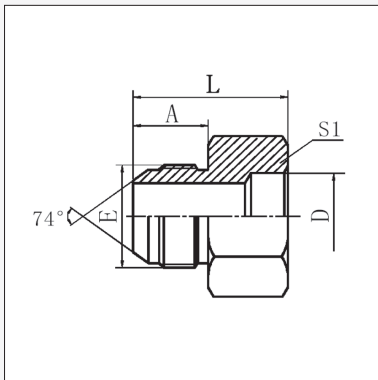
BSPP FEMALE x IMPERIAL TUBE



| Product Code | Flange Size | Tube Recess | Dimensions (mm) | | | | |
|--------------|-------------|-------------|-----------------|------|------|----|----|
| | ins. | øD mm | B | C | L | S1 | S2 |
| BJ-04-04 | 1/4" - 19 | 6.25 | 3 | 5.5 | 20 | 12 | 19 |
| BJ-06-06 | 3/8" - 19 | 9.6 | 4 | 6.3 | 22 | 17 | 22 |
| BJ-08-08 | 1/2" - 14 | 12.7 | 4 | 7.5 | 24 | 19 | 27 |
| BJ-12-12 | 3/4" - 14 | 19.0 | 5 | 10.9 | 31 | 27 | 32 |
| BJ-16-16 | 1" - 11 | 25.4 | 6 | 11.7 | 33 | 32 | 41 |
| BJ-20-20 | 1.1/4" - 11 | 31.8 | 6 | 11 | 37.5 | 41 | 50 |
| BJ-24-24 | 1.1/2" - 11 | 38.1 | 6 | 13 | 40 | 50 | 55 |

BC SERIES

JIC MALE x IMPERIAL / METRIC TUBE

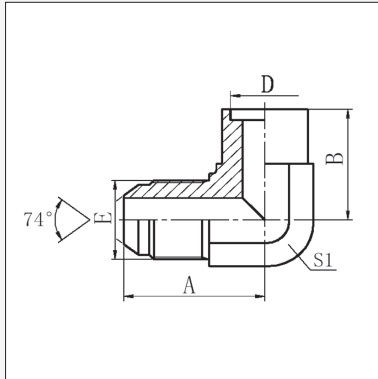


| Product Code | JIC Thread Size | Tube Recess | Dimensions (mm) | | | |
|------------------------------|-----------------|-------------|-----------------|------|----|--|
| | ins. | øD mm | A | L | S1 | |
| TO SUIT IMPERIAL TUBE | | | | | | |
| BC-07-04 | 7/16" - 20 | 6.25 | 14 | 23 | 14 | |
| BC-09-06 | 9/16" - 18 | 9.6 | 14.1 | 24 | 17 | |
| BC-12-08 | 3/4" - 16 | 12.7 | 16.7 | 29.5 | 22 | |
| BC-14-10 | 7/8" - 14 | 16.0 | 19.3 | 32 | 24 | |
| BC-17-12 | 1.1/16" - 12 | 19.0 | 22 | 38 | 30 | |
| BC-17-16 | 1.1/16" - 12 | 25.4 | 22 | 38 | 32 | |
| BC-21-16 | 1.5/16" - 12 | 25.4 | 23 | 40 | 36 | |
| BC-21-20 | 1.5/16" - 12 | 31.8 | 23.1 | 40 | 38 | |
| BC-26-20 | 1.5/8" - 12 | 31.8 | 24.3 | 43 | 46 | |
| BC-30-24 | 1.7/8" - 12 | 38.1 | 27.5 | 48.5 | 50 | |
| TO SUIT METRIC TUBE | | | | | | |
| BC-09-M08 | 9/16" - 18 | 8.05 | 14.1 | 24 | 17 | |
| BC-09-M10 | 9/16" - 18 | 10.06 | 14.1 | 24 | 17 | |

TUBE WELD

**BD** SERIES

JIC MALE x IMPERIAL TUBE 90° ELBOW

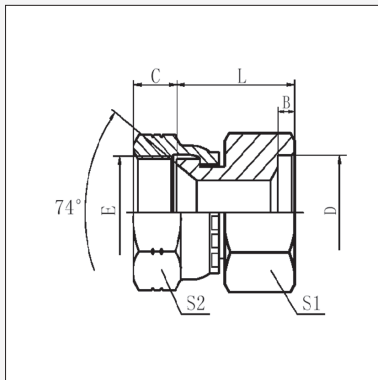


| Product Code | JIC Thread | Tube Recess | Dimensions (mm) | | |
|-------------------|--------------|-------------|-----------------|----|------|
| | ins. | øD mm | A | B | S1 |
| BD-09-06 | 9/16" - 18 | 9.6 | 27 | 9 | 15.9 |
| BD-12-08 | 3/4" - 16 | 12.7 | 32 | 10 | 20.6 |
| BD-14-10 † | 7/8" - 14 | 16.0 | 37 | 12 | 23.8 |
| BD-17-12 | 1.1/16" - 12 | 19.1 | 43 | 14 | 28.6 |
| BD-21-16 † | 1.5/16" - 12 | 25.4 | 46 | 16 | 34.9 |

† Non-stocked, available on request

BF SERIES

JIC FEMALE x IMPERIAL TUBE

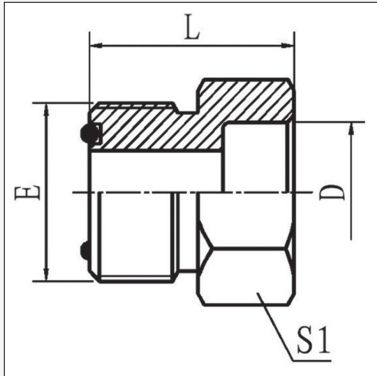


| Product Code | JIC Thread | Tube Recess | Dimensions (mm) | | | | |
|-----------------|--------------|-------------|-----------------|------|------|----|----|
| | ins. | øD mm | B | C | L | S1 | S2 |
| BF-07-04 | 7/16" - 20 | 6.25 | 3 | 9 | 17 | 12 | 15 |
| BF-09-06 | 9/16" - 18 | 9.6 | 4 | 10.5 | 18.5 | 14 | 19 |
| BF-12-08 | 3/4" - 16 | 12.7 | 4 | 11 | 20.5 | 19 | 24 |
| BF-14-10 | 7/8" - 14 | 16.0 | 5 | 13 | 22 | 22 | 27 |
| BF-17-12 | 1.1/16" - 12 | 19.0 | 5 | 15 | 28.5 | 27 | 32 |
| BF-21-16 | 1.5/16" - 12 | 25.4 | 6 | 16 | 29.5 | 32 | 41 |
| BF-26-20 | 1.5/8" - 12 | 31.8 | 6 | 17 | 33 | 41 | 50 |
| BF-30-24 | 1.7/8" - 12 | 38.1 | 6 | 20 | 35.5 | 50 | 55 |

TUBE WELD



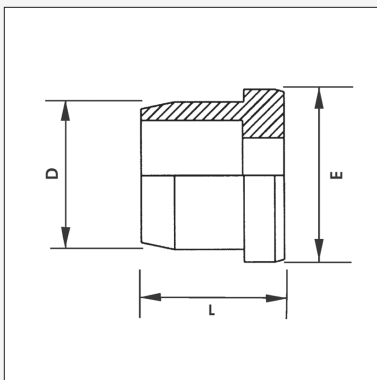
FF3020 SERIES ORFS MALE x SOCKET WELD



| Product Code | Tube Size | Tube Recess | ORFS Thread | ORFS Size | Dimensions (mm) | | | |
|---------------|-----------|-------------|---------------|-----------|-----------------|-------|----|------|
| | ins. | øD ins | ins | Dash | D | E | L | S1 |
| FF3020-0404 † | 04 | 1/4" | 9/16" - 18 | 04 | 6.25 | 14.22 | 22 | 15.9 |
| FF3020-0606 | 06 | 3/8" | 11/16" - 16 | 06 | 9.6 | 17.52 | 23 | 19 |
| FF3020-0808 | 08 | 1/2" | 13/16" - 16 | 08 | 12.7 | 20.82 | 25 | 22 |
| FF3020-1010 | 10 | 5/8" | 1" - 14 | 10 | 16.0 | 25.4 | 27 | 27 |
| FF3020-1212 | 12 | 3/4" | 1.3/16" - 12 | 12 | 19.0 | 30.22 | 34 | 31.8 |
| FF3020-1616 | 16 | 1" | 1.7/16" - 12 | 16 | 25.4 | 36.57 | 39 | 38.1 |
| FF3020-2020 † | 20 | 1.1/4" | 1.11/16" - 12 | 20 | 31.8 | 42.92 | 39 | 44.5 |
| FF3020-2424 † | 24 | 1.1/2" | 2" - 12 | 24 | 38.1 | 50.8 | 39 | 54 |

† Non-stocked, available on request

FF3031 SERIES ORFS SHOULDER x IMPERIAL TUBE INTERNAL BRAZE



NOTE: Use in conjunction with ORFS Tube Nut FF1311 (see Page D 66)

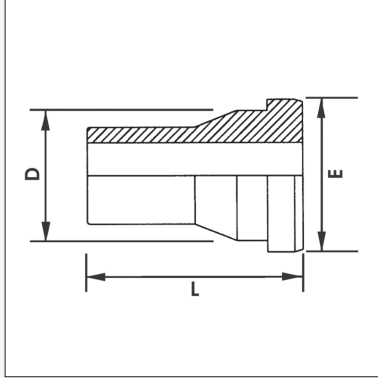
| Product Code | Tube Size | Tube Recess | ORFS Thread | ORFS Size | Dimensions (mm) | | | |
|--------------|-----------|-------------|---------------|-----------|-----------------|---|--|--|
| | ins. | øD ins | ins | Dash | E | L | | |
| FF3031-0404 | 04 | 6.25 | 9/16" - 18 | 04 | 12.5 | | | |
| FF3031-0604 | 06 | 9.6 | 9/16" - 18 | 04 | 12.5 | | | |
| FF3031-0606 | 06 | 9.6 | 11/16" - 16 | 06 | 15.5 | | | |
| FF3031-0806 | 08 | 12.7 | 11/16" - 16 | 06 | 15.5 | | | |
| FF3031-0808 | 08 | 12.7 | 13/16" - 16 | 08 | 18.6 | | | |
| FF3031-1008 | 10 | 16.0 | 13/16" - 16 | 08 | 18.6 | | | |
| FF3031-1010 | 10 | 16.0 | 1" - 14 | 10 | 23.1 | | | |
| FF3031-1208 | 12 | 19.0 | 13/16" - 16 | 08 | 18.6 | | | |
| FF3031-1210 | 12 | 19.0 | 1" - 14 | 10 | 23.1 | | | |
| FF3031-1212 | 12 | 19.0 | 1.3/16" - 12 | 12 | 27.6 | | | |
| FF3031-1612 | 16 | 25.4 | 1.3/16" - 12 | 12 | 27.6 | | | |
| FF3031-1614 | 16 | 25.4 | | 14 | | | | |
| FF3031-1616 | 16 | 25.4 | 1.7/16" - 12 | 16 | 33.9 | | | |
| FF3031-2016 | 20 | 31.8 | 1.7/16" - 12 | 16 | 33.9 | | | |
| FF3031-2020 | 20 | 31.8 | 1.11/16" - 12 | 20 | 40.3 | | | |
| FF3031-2420 | 24 | 38.1 | 1.11/16" - 12 | 20 | 40.3 | | | |
| FF3031-2424 | 24 | 38.1 | 2" - 12 | 24 | 48.2 | | | |

TUBE WELD



FF3032 SERIES

ORFS SHOULDER x IMPERIAL TUBE EXTERNAL BRAZE

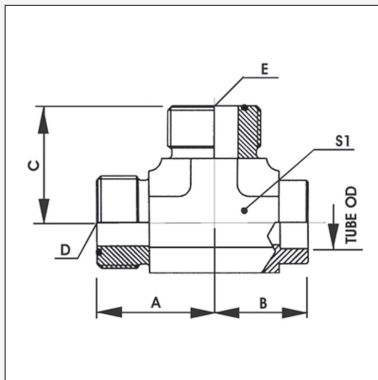


NOTE: Use in conjunction with ORFS Tube Nut FF1311 (see Page D 66)

| Product Code | Tube Size | Tube Recess | ORFS | ORFS Size | Dimensions (mm) | | | |
|--------------|-----------|-------------|---------------|-----------|-----------------|---|-----|--|
| | ins. | øD ins | Thread | Dash | E | L | ins | |
| FF3032-0404 | 04 | 6.25 | 9/16" - 18 | 04 | | | | |
| FF3032-0606 | 06 | 9.6 | 11/16" - 16 | 06 | | | | |
| FF3032-0808 | 08 | 12.7 | 13/16" - 16 | 08 | | | | |
| FF3032-1010 | 10 | 16.0 | 1" - 14 | 10 | | | | |
| FF3032-1212 | 12 | 19.0 | 1.3/16" - 12 | 12 | | | | |
| FF3032-1616 | 16 | 25.4 | 1.7/16" - 12 | 16 | | | | |
| FF3032-2020 | 20 | 31.8 | 1.11/16" - 12 | 20 | | | | |
| FF3032-2424 | 24 | 38.1 | 2" - 12 | 24 | | | | |

FF3021 SERIES

ORFS x ORFS x BRAZE PORT TEE



| Product Code | Tube Size | Tube Recess | ORFS Thread | ORFS Size | Dimensions (mm) | | | |
|--------------|-----------|-------------|---------------|-----------|-----------------|---|---|----|
| | Dash | øD ins | D & E | Dash | A | B | C | S1 |
| FF3021-0404 | 04 | 6.25 | 9/16" - 18 | 04 | | | | |
| FF3021-0604 | 06 | 9.6 | 9/16" - 18 | 04 | | | | |
| FF3021-0606 | 06 | 9.6 | 11/16" - 16 | 06 | | | | |
| FF3021-0806 | 08 | 12.7 | 11/16" - 16 | 06 | | | | |
| FF3021-0808 | 08 | 12.7 | 13/16" - 16 | 08 | | | | |
| FF3021-1008 | 10 | 16.0 | 13/16" - 16 | 08 | | | | |
| FF3021-1010 | 10 | 16.0 | 1" - 14 | 10 | | | | |
| FF3021-1208 | 12 | 19.0 | 13/16" - 16 | 08 | | | | |
| FF3021-1210 | 12 | 19.0 | 1" - 14 | 10 | | | | |
| FF3021-1212 | 12 | 19.0 | 1.3/16" - 12 | 12 | | | | |
| FF3021-1612 | 16 | 25.4 | 1.3/16" - 12 | 12 | | | | |
| FF3021-1614 | 16 | 25.4 | | 14 | | | | |
| FF3021-1616 | 16 | 25.4 | 1.7/16" - 12 | 16 | | | | |
| FF3021-2016 | 20 | 31.8 | 1.7/16" - 12 | 16 | | | | |
| FF3021-2020 | 20 | 31.8 | 1.11/16" - 12 | 20 | | | | |
| FF3021-2420 | 24 | 38.1 | 1.11/16" - 12 | 20 | | | | |
| FF3021-2424 | 24 | 38.1 | 2" - 12 | 24 | | | | |



THIS PAGE IS INTENTIONALLY LEFT BLANK



SECTION 6 TUBE FITTINGS

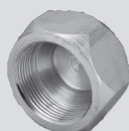
PAGE

| | | | |
|-----------------|-----------------------------|---------------------|-------------|
| BB / BBI | JIC x JIC REDUCER | F / M | D 63 |
| BBJM | BSP BANJO X JIC MALE | M | D 63 |
| BAN | JIC FLARED NUT | F | D 63 |
| BAS | FLARED IMP. TUBE SLEEVE | - | D 64 |
| CAL | JIC SWEPT ELBOW (EXTENDED) | M / F | D 64 |
| CAS | JIC SWEPT ELBOW (COMPACT) | M / F | D 64 |
| FF1311 | ORFS TUBE NUT | F | D 65 |
| FF3018 | ORFS x ORFS REDUCING INSERT | M / F _{SW} | D 65 |



SECTION 7 PLUGS

| | | | |
|------------------|-----------------------------|---|------------------|
| AP | BSPP | M | D 66 |
| AS | BSPT | M | D 66 |
| AT / ATH | NPTF (ATH WITH HOLLOW HEX) | M | D 66 / 67 |
| ASH | BSPT HEX SOCKET PLUG | - | D 66 |
| AU / UCAP | JIC | M | D 67 |
| AV / AVH | UN'O' (AVH WITH HOLLOW HEX) | M | D 67 / 68 |
| FF1254 | ORFS | M | D 68 |
| JU | JIS BSPP PLUG | - | D68 |
| KU | JIS METRIC (KOMATSU®) | M | D 68 |



SECTION 8 CAPS

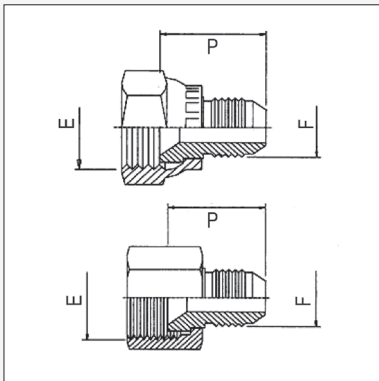
| | | | |
|-------------------|--------------------------------------|-----------------|-------------|
| AW / AWI | JIC | F _{SW} | D 69 |
| AX | BSPP | F _{SW} | D 69 |
| FF1319 | ORFS CAP | F _{SW} | D 69 |
| KW/JW/UCAP | JIS METRIC / JIS BSPP / RUBBER PLUGS | F _{SW} | D 70 |

TUBE FITTINGS



BB SERIES

JIC FEMALE x JIC FIXED MALE TUBE REDUCER & *EXPANDERS

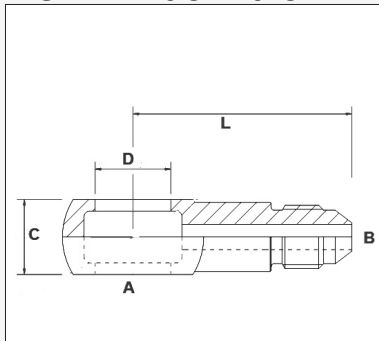


| Product Code | JIC Size E | | JIC Size F | | Dimensions mm | |
|--------------|--------------|------|--------------|------|---------------|-----|
| | Thread | Dash | Thread | Dash | P | Hex |
| BB-06-07 * | 3/8" - 24 | 06 | 7/16" - 20 | 07 | 18 | |
| BB-07-09 | 7/16" - 20 | 07 | 9/16" - 18 | 09 | 23.5 | |
| BB-08-07 | 1/2"-20 | 08 | 7/16" - 20 | 07 | 28.5 | |
| BB-09-07 | 9/16" - 18 | 09 | 7/16" - 20 | 07 | 24.5 | |
| BB-09-08 | 9/16" - 18 | 09 | 1/2"-20 | 08 | 28.5 | |
| BB-12-07 | 3/4" - 16 | 12 | 7/16" - 20 | 07 | 25.5 | |
| BB-12-09 | 3/4" - 16 | 12 | 9/16" - 18 | 09 | 25.5 | |
| BB-12-14 * | 3/4" - 16 | 12 | 7/8" - 14 | 14 | 29.5 | |
| BB-14-07 | 7/8" - 14 | 14 | 7/16" - 20 | 07 | 26 | |
| BB-14-09 | 7/8" - 14 | 14 | 9/16" - 18 | 09 | 26 | |
| BB-14-12 | 7/8" - 14 | 14 | 3/4" - 16 | 12 | 29 | |
| BB-17-07 | 1.1/16" - 12 | 17 | 7/16" - 20 | 07 | 27.5 | |
| BB-17-09 | 1.1/16" - 12 | 17 | 9/16" - 18 | 09 | 27.5 | |
| BB-17-12 | 1.1/16" - 12 | 17 | 3/4" - 16 | 12 | 30.5 | |
| BB-17-14 | 1.1/16" - 12 | 17 | 7/8" - 14 | 14 | 31 | |
| BB-21-12 | 1.5/16" - 12 | 21 | 3/4" - 16 | 12 | 30 | |
| BB-21-14 | 1.5/16" - 12 | 21 | 7/8" - 14 | 14 | 30.5 | |
| BB-21-17 | 1.5/16" - 12 | 21 | 1.1/16" - 12 | 17 | 37.5 | |
| BB-26-21 | 1.5/8" - 12 | 26 | 1.5/16" - 12 | 21 | 40 | |
| BB-30-26 | 1.7/8" - 12 | 30 | 1.5/8" - 12 | 26 | 43 | |

* Tube Expander

BBJM SERIES

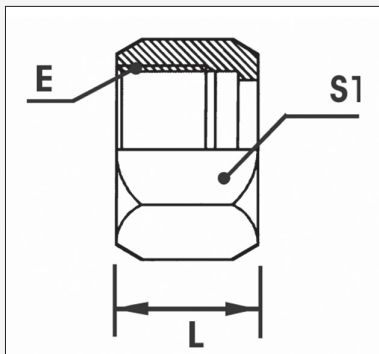
BSP BANJO X JIC MALE



| Product Code | A | B | Dimensions (mm) | | |
|--------------|------|------------|-----------------|------|------|
| | BSP | JIC | C | D | L |
| BBJM-04-07 | 1/4" | 7/16" - 20 | 13 | 13.1 | 38 |
| BBJM-04-09 | 1/4" | 9/16" - 18 | 13 | 13.1 | 38.1 |
| BBJM-06-09 | 3/8" | 9/16" - 18 | 20 | 16.7 | 39 |

BAN SERIES

JIC FLARED TUBE NUT



| Product Code | Use with Sleeve | JIC Size E | | Dimensions (mm) | |
|--------------|-----------------|--------------|------|-----------------|----|
| | | Thread | Dash | L | S1 |
| BAN-07 | BAS-04 | 7/16" - 20 | 07 | 15.5 | 14 |
| BAN-08 | BAS-05 | 1/2" - 20 | 08 | 17 | 16 |
| BAN-09 | BAS-06 | 9/16" - 18 | 09 | 18.5 | 17 |
| BAN-12 | BAS-08 | 3/4" - 16 | 12 | 21.5 | 22 |
| BAN-14 | BAS-10 | 7/8" - 14 | 14 | 24.5 | 27 |
| BAN-17 | BAS-12 | 1.1/16" - 12 | 17 | 26 | 32 |
| BAN-21 | BAS-16 | 1.5/16" - 12 | 21 | 28.5 | 38 |
| BAN-26 | BAS-20 | 1.5/8" - 12 | 26 | 31 | 50 |
| BAN-30 | BAS-24 | 1.7/8" - 12 | 30 | 36 | 57 |

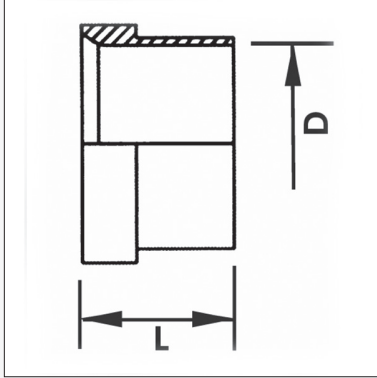


This page is part of a complete catalogue containing technical and safety data. All data must be reviewed when selecting a product. Pirtek reserve the right to change technical specifications without notice



BAS SERIES

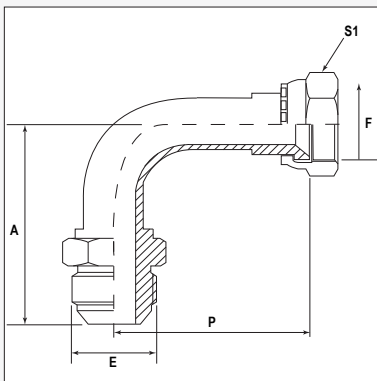
FLARED SLEEVE FOR IMPERIAL TUBE



| Product Code | Use with Nut | Tube \varnothing D | | Dimensions (mm) | |
|--------------|--------------|----------------------|------|-----------------|-------|
| | | Tube | Dash | L | D |
| BAS-04 | BAN-07 | 6.25 | 04 | 10.5 | 6.27 |
| BAS-05 | BAN-08 | 8.00 | 05 | 11.5 | 8 |
| BAS-06 | BAN-09 | 9.6 | 06 | 12.5 | 9.55 |
| BAS-08 | BAN-12 | 12.7 | 08 | 14.5 | 12.75 |
| BAS-10 | BAN-14 | 16.0 | 10 | 16.5 | 15.9 |
| BAS-12 | BAN-17 | 19.0 | 12 | 17 | 19.1 |
| BAS-16 | BAN-21 | 25.4 | 16 | 19.5 | 25.55 |
| BAS-20 | BAN-26 | 31.8 | 20 | 23 | 31.8 |
| BAS-24 | BAN-30 | 38.1 | 24 | 28.5 | 38.15 |

CAL SERIES

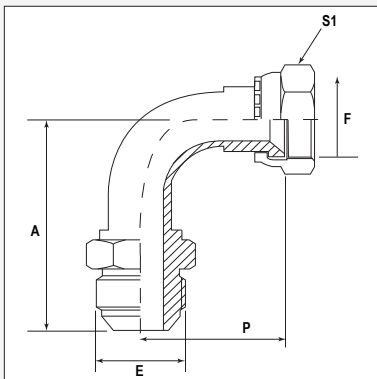
JIC MALE x JIC FEMALE SWEPT ELBOWS (EXTENDED)



| Product Code | Thread | | Dimensions mm | | |
|--------------|--------------|--------------|---------------|------|-----|
| | E (JIC) | F (JIC) | A | S1 | P |
| CAL-07-07 | 7/16" - 20 | 7/16" - 20 | 39 | 14.3 | 45 |
| CAL-09-09 | 9/16" - 18 | 9/16" - 18 | 42 | 17.5 | 55 |
| CAL-12-12 | 3/4" - 16 | 3/4" - 16 | 54 | 22.2 | 62 |
| CAL-14-14 | 7/8" - 14 | 7/8" - 14 | 63 | 25.4 | 65 |
| CAL-17-17 | 1.1/16" - 12 | 1.1/16" - 12 | 73 | 32 | 91 |
| CAL-21-21 | 1.5/16" - 12 | 1.5/16" - 12 | 86 | 38 | 105 |
| CAL-26-26 | 1.5/8" - 12 | 1.5/8" - 12 | 101 | 50 | 127 |

CAS SERIES

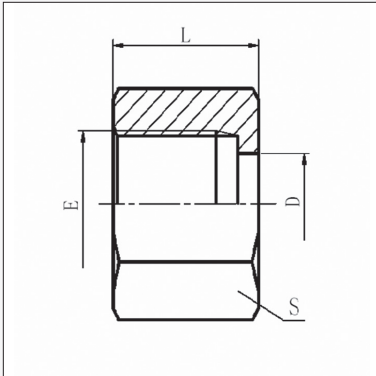
JIC MALE x JIC FEMALE SWEPT ELBOWS (COMPACT)



| Product Code | Thread | | Dimensions mm | | |
|--------------|--------------|--------------|---------------|------|----|
| | E (JIC) | F (JIC) | A | S1 | P |
| CAS-07-07 | 7/16" - 20 | 7/16" - 20 | 39 | 14.3 | 29 |
| CAS-09-09 | 9/16" - 18 | 9/16" - 18 | 42 | 17.5 | 39 |
| CAS-12-12 | 3/4" - 16 | 3/4" - 16 | 54 | 22.2 | 44 |
| CAS-14-14 | 7/8" - 14 | 7/8" - 14 | 63 | 25.4 | 50 |
| CAS-17-17 | 1.1/16" - 12 | 1.1/16" - 12 | 73 | 32 | 58 |
| CAS-21-21 | 1.5/16" - 12 | 1.5/16" - 12 | 86 | 38 | 73 |
| CAS-26-26 | 1.5/8" - 12 | 1.5/8" - 12 | 101 | 50 | 85 |



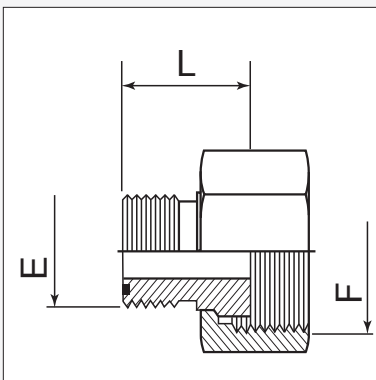
FF1311 SERIES ORFS TUBE NUT



NOTE: Use in conjunction with ORFS Tube Weld insert FF3031, (see Page D 60)

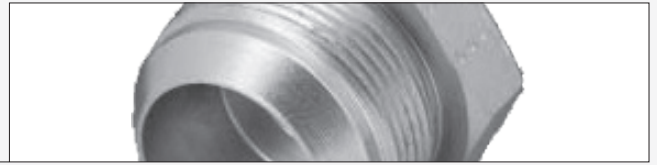
| Product Code | ORFS Size E | | Dimensions (mm) | | | |
|--------------|---------------|------|-----------------|------|----|--|
| | Thread | Dash | øD | L | S | |
| FF1311-04 | 9/16" - 18 | 04 | 10.5 | 14.7 | 19 | |
| FF1311-06 | 11/16" - 16 | 06 | 13.5 | 17 | 22 | |
| FF1311-08 | 13/16" - 16 | 08 | 16.5 | 21 | 27 | |
| FF1311-10 | 1" - 14 | 10 | 21 | 23.5 | 30 | |
| FF1311-12 | 1.3/16" - 12 | 12 | 24.1 | 26 | 36 | |
| FF1311-16 | 1.7/16" - 12 | 16 | 29 | 27.8 | 41 | |
| FF1311-20 | 1.11/16" - 12 | 20 | 36 | 27.8 | 50 | |
| FF1311-24 | 2" - 12 | 24 | 44 | 27.8 | 60 | |

FF3018 SERIES ORFS MALE x ORFS FEMALE REDUCING INSERT

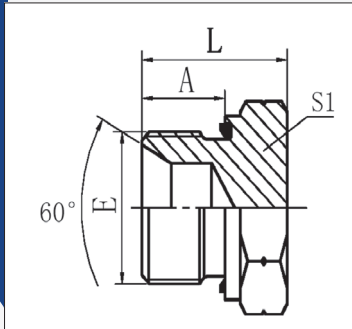


| Product Code | ORFS Size E | | ORFS Size F | | Dimensions (mm) | | | |
|--------------|-------------|------|--------------|------|-----------------|--|--|--|
| | Thread | Dash | Thread | Dash | L | | | |
| FF3018-0410 | 9/16" - 18 | 04 | 1" - 14 | 10 | 23 | | | |
| FF3018-0412 | 9/16" - 18 | 04 | 1.3/16" - 12 | 12 | 26 | | | |
| FF3018-0810 | 13/16" - 16 | 08 | 1" - 14 | 10 | 26 | | | |
| FF3018-0812 | 13/16" - 16 | 08 | 1.3/16" - 12 | 12 | 28 | | | |
| FF3018-0816 | 13/16" - 16 | 08 | 1.7/16" - 12 | 16 | 29.5 | | | |

PLUGS

**AP SERIES**

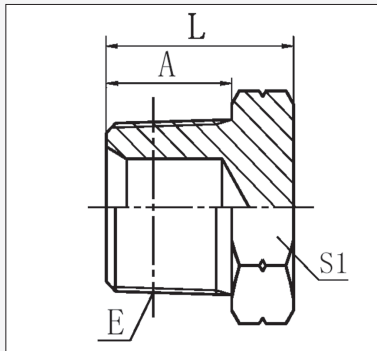
BSPP MALE PLUG WITH CAPTIVE SEAL



| Product Code | BSPP Thread E | | Dimensions (mm) | | |
|--------------|---------------|------|-----------------|------|----|
| | Thread | Dash | A | L | S1 |
| AP-02 | 1/8" - 28 | 02 | 8 | 15.5 | 14 |
| AP-04 | 1/4" - 19 | 04 | 12 | 20 | 19 |
| AP-06 | 3/8" - 19 | 06 | 12 | 22 | 22 |
| AP-08 | 1/2" - 14 | 08 | 14 | 26 | 27 |
| AP-12 | 3/4" - 14 | 12 | 16 | 29 | 32 |
| AP-16 | 1" - 11 | 16 | 18 | 35 | 41 |
| AP-20 | 1.1/4" - 11 | 20 | 20 | 37 | 50 |
| AP-24 | 1.1/2" - 11 | 24 | 22 | 39 | 55 |
| AP-32 | 2" - 11 | 32 | 20 | 40 | 75 |

AS SERIES

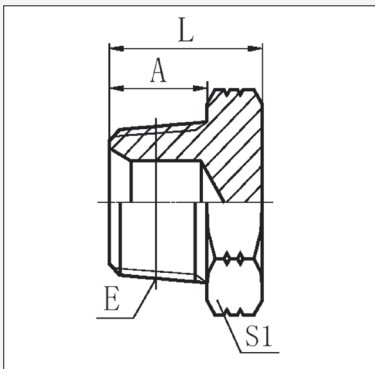
BSPT MALE PLUG



| Product Code | BSPT Thread E | | Dimensions (mm) | | |
|--------------|---------------|------|-----------------|------|----|
| | Thread | Dash | A | L | S1 |
| AS-02 | 1/8" - 28 | 02 | 10 | 16 | 12 |
| AS-04 | 1/4" - 19 | 04 | 14.5 | 20 | 17 |
| AS-06 | 3/8" - 19 | 06 | 15 | 21 | 19 |
| AS-08 | 1/2" - 14 | 08 | 20 | 27 | 22 |
| AS-12 | 3/4" - 14 | 12 | 20 | 29 | 30 |
| AS-16 | 1" - 11 | 16 | 25 | 36.5 | 36 |
| AS-20 | 1.1/4" - 11 | 20 | 26.5 | 38.5 | 46 |
| AS-24 | 1.1/2" - 11 | 24 | 26.5 | 42 | 50 |
| AS-32 | 2" - 11 | 32 | 30 | 46 | 65 |

AT SERIES

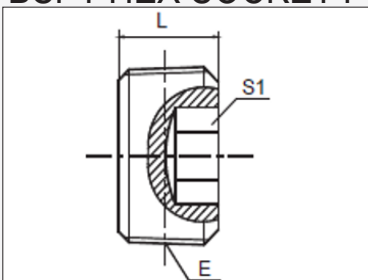
NPTF MALE PLUG



| Product Code | NPT Thread E | | Dimensions (mm) | | |
|--------------|---------------|------|-----------------|------|----|
| | Thread | Dash | A | L | S1 |
| AT-02 | 1/8" - 27 | 02 | 10.5 | 16 | 12 |
| AT-04 | 1/4" - 18 | 04 | 15 | 20 | 17 |
| AT-06 | 3/8" - 18 | 06 | 16 | 21 | 19 |
| AT-08 | 1/2" - 14 | 08 | 19.5 | 27 | 22 |
| AT-12 | 3/4" - 14 | 12 | 19.5 | 29.5 | 30 |
| AT-16 | 1" - 11.5 | 16 | 25.5 | 36.5 | 36 |
| AT-20 | 1.1/4" - 11.5 | 20 | 26.5 | 38.5 | 46 |
| AT-24 | 1.1/2" - 11.5 | 24 | 27.5 | 43 | 50 |
| AT-32 | 2" - 11.5 | 32 | 27.5 | 43.5 | 65 |

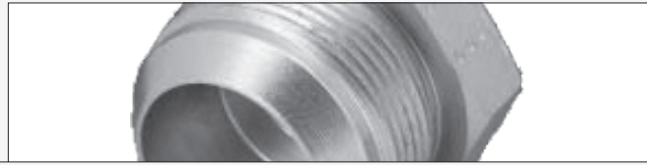
ASH SERIES

BSPT HEX SOCKET PLUG

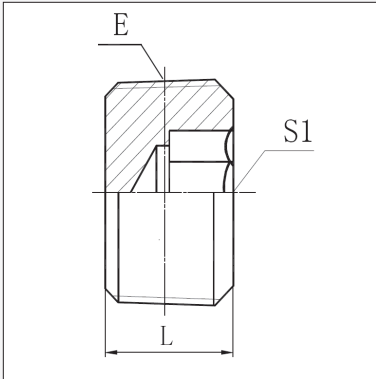


| Product Code | Thread | Dimensionsmm | |
|--------------|-----------|--------------|----|
| | E (BSPT) | L | S1 |
| ASH-02 | 1/8"-28 | 8 | 5 |
| ASH-04 | 1/4"-19 | 9 | 6 |
| ASH-06 | 3/8"-19 | 10 | 8 |
| ASH-08 | 1/2"-14 | 12 | 10 |
| ASH-12 | 3/4"-14 | 12 | 12 |
| ASH-16 | 1"-11 | 17 | 17 |
| ASH-20 | 1.1/4"-11 | 18 | 19 |

PLUGS

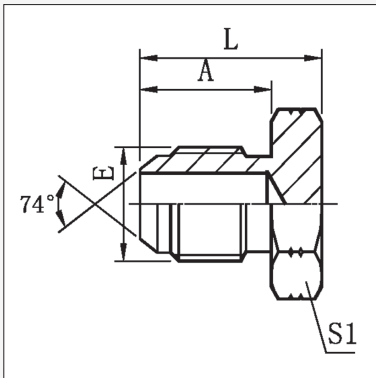


ATH SERIES NPTF MALE PLUG HOLLOW HEX



| Product Code | NPT Thread E | | Dimensions (mm) | | |
|--------------|---------------|------|-----------------|----|--|
| | Thread | Dash | L | S1 | |
| ATH-02 | 1/8" - 27 | 02 | 8 | 5 | |
| ATH-04 | 1/4" - 18 | 04 | 10 | 6 | |
| ATH-06 | 3/8" - 18 | 06 | 12 | 8 | |
| ATH-08 | 1/2" - 14 | 08 | 15 | 10 | |
| ATH-12 | 3/4" - 14 | 12 | 16 | 12 | |
| ATH-16 | 1" - 11.5 | 16 | 18 | 17 | |
| ATH-20 | 1.1/4" - 11.5 | 20 | | | |

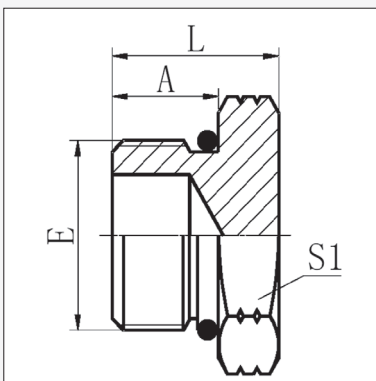
AU SERIES (SEE ALSO UC-P PAGE 71) JIC MALE PLUG



| Product Code | JIC Size E | | Dimensions (mm) | | |
|--------------------|--------------|------|-----------------|------|----|
| | Thread | Dash | A | L | S1 |
| AU-07 | 7/16" - 20 | 07 | 14 | 20 | 12 |
| AU-08 | 1/2" - 20 | 08 | 14 | 20 | 14 |
| AU-09 | 9/16" - 18 | 09 | 14.1 | 20 | 17 |
| AU-10 ^a | 5/8" - 18 | 10 | | | |
| AU-12 | 3/4" - 16 | 12 | 16.7 | 25 | 22 |
| AU-14 | 7/8" - 14 | 14 | 19.3 | 27.5 | 24 |
| AU-17 | 1.1/16" - 12 | 17 | 21.9 | 32 | 30 |
| AU-19 | 1.3/16" - 12 | 19 | 22.6 | 33.5 | 32 |
| AU-21 | 1.5/16" - 12 | 21 | 23.1 | 34 | 36 |
| AU-26 | 1.5/8" - 12 | 26 | 24.3 | 38 | 46 |
| AU-30 | 1.7/8" - 12 | 30 | 27.5 | 44.5 | 50 |

^a SAE Thread Form

AV SERIES UN'O' MALE PLUG



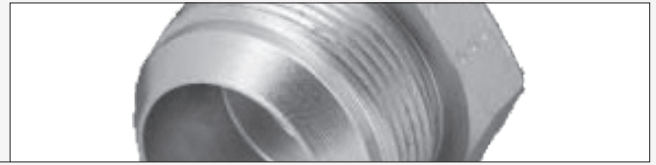
| Product Code | UN'O' Size E | | Dimensions (mm) | | |
|--------------------|--------------|------|-----------------|------|----|
| | Thread | Dash | A | L | S1 |
| AV-06 | 3/8"-24 | 06 | 8 | 15 | 14 |
| AV-07 | 7/16" - 20 | 07 | 9.1 | 16 | 14 |
| AV-08 | 1/2" - 20 | 08 | 9.1 | 16 | 17 |
| AV-09 | 9/16" - 18 | 09 | 9.9 | 17.5 | 17 |
| AV-10 ^a | 5/8" - 18 | 10 | | | |
| AV-12 | 3/4" - 16 | 12 | 11.1 | 19.5 | 22 |
| AV-14 | 7/8" - 14 | 14 | 12.7 | 23 | 27 |
| AV-17 | 1.1/16" - 12 | 17 | 15.1 | 26.5 | 32 |
| AV-19 | 1.3/16" - 12 | 19 | 15.1 | 27 | 36 |
| AV-21 | 1.5/16" - 12 | 21 | 15.1 | 27.5 | 38 |
| AV-26 | 1.5/8" - 12 | 26 | 15.1 | 30 | 50 |
| AV-30 | 1.7/8" - 12 | 30 | 15.1 | 30 | 55 |

^a SAE Thread Form

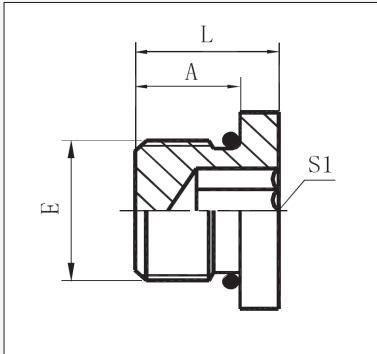


This page is part of a complete catalogue containing technical and safety data.
All data must be reviewed when selecting a product.
Pirtek reserve the right to change technical specifications without notice

PLUGS

**AVH** SERIES

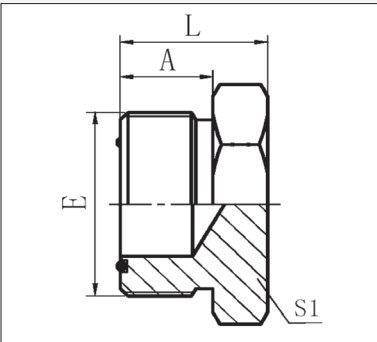
UN'O' MALE PLUG HOLLOW HEX



| Product Code | UN'O' Size E | | Dimensions (mm) | | |
|--------------|--------------|------|-----------------|------|-------|
| | Thread | Dash | A | L | S1 |
| AVH-05 | 5/16" - 24 | 05 | 7.5 | 10 | 3 |
| AVH-07 | 7/16" - 20 | 07 | 9.1 | 11.5 | 5 |
| AVH-08 | 1/2" - 20 | 08 | 9.5 | 12 | 5 |
| AVH-09 | 9/16" - 18 | 09 | 9.9 | 12.2 | 6 |
| AVH-12 | 3/4" - 16 | 12 | 11.1 | 14.3 | 8 |
| AVH-14 | 7/8" - 14 | 14 | 13 | 17 | 9.5 |
| AVH-17 | 1.1/16" - 12 | 17 | 15.1 | 19 | 14 |
| AVH-21 | 1.5/16" - 12 | 21 | 15.1 | 19 | 16 |
| AVH-26 | 1.5/8" - 12 | 26 | 15.1 | 19 | 19 |
| AVH-30 | 1.7/8" - 12 | 30 | - | 20 | 19.05 |

FF1254 SERIES

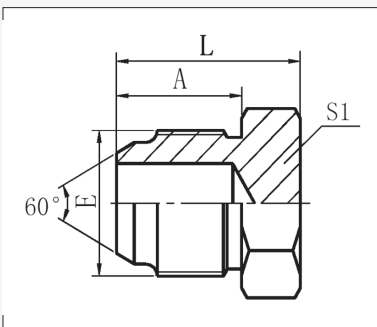
ORFS MALE PLUG



| Product Code | ORFS Size E | | Dimensions (mm) | | |
|--------------|---------------|------|-----------------|------|----|
| | Thread | Dash | A | L | S1 |
| FF1254-04 | 9/16" - 18 | 04 | 9.8 | 16.8 | 17 |
| FF1254-06 | 11/16" - 16 | 06 | 11.2 | 19.2 | 19 |
| FF1254-08 | 13/16" - 16 | 08 | 12.8 | 21.8 | 22 |
| FF1254-10 | 1" - 14 | 10 | 15.5 | 25.9 | 27 |
| FF1254-12 | 1.316" - 12 | 12 | 17 | 27.4 | 32 |
| FF1254-16 | 1.7/16" - 12 | 16 | 17.5 | 27.9 | 38 |
| FF1254-20 | 1.11/16" - 12 | 20 | 17.5 | 27.9 | 46 |
| FF1254-24 | 2" - 12 | 24 | 17.5 | 27.9 | 55 |

JU SERIES

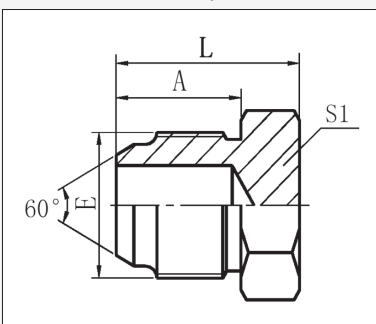
JIS BSPP PLUG



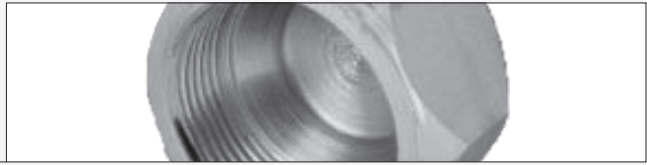
| Product Code | BSPP Male 60° Cone Thread E | | Dimensions (mm) | | |
|--------------|-----------------------------|------|-----------------|------|----|
| | Thread | Dash | A | L | S1 |
| JU-04 | 1/4" - 19 | 04 | 16 | 24 | 17 |
| JU-06 | 3/8" - 19 | 06 | 18 | 24 | 19 |
| JU-08 | 1/2" - 14 | 08 | 20 | 28 | 22 |
| JU-12 | 3/4" - 14 | 12 | 22 | 33.5 | 30 |
| JU-16 | 1" - 11 | 16 | 24 | 35 | 36 |

KU SERIES

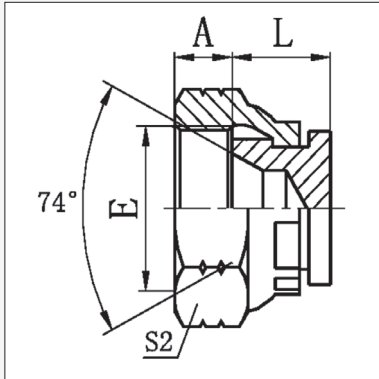
JIS METRIC (KOMATSU®) PLUG



| Product Code | JIS Met. Thread E | | Dimensions (mm) | | |
|--------------|-------------------|------|-----------------|------|----|
| | Thread | Dash | A | L | S1 |
| KU-14 | M14 x 1.5 | 14 | 17 | 23 | 19 |
| KU-16 | M16 x 1.5 | 16 | 18 | 24 | 19 |
| KU-18 | M18 x 1.5 | 18 | 18 | 26 | 22 |
| KU-20 | M20 x 1.5 | 20 | 20 | 28 | 24 |
| KU-22 | M22 x 1.5 | 22 | 20 | 30 | 27 |
| KU-24 | M24 x 1.5 | 24 | 21.5 | 32.5 | 32 |
| KU-30 | M30 x 1.5 | 30 | 26 | 37 | 36 |
| KU-33 | M33 x 1.5 | 33 | 30 | 41 | 41 |



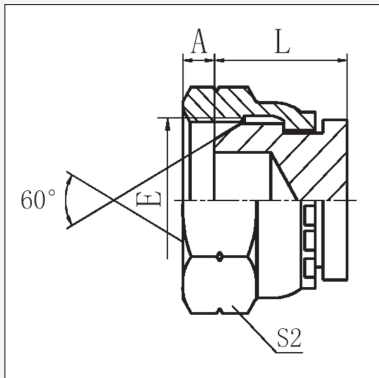
AW / AWI SERIES JIC FEMALE CAP



| Product Code | JIC Size E | | Dimensions (mm) | | |
|---------------------------|--------------|------|-----------------|------|------|
| | Thread | Dash | A | L | S2 |
| AW-07 | 7/16" - 20 | 07 | 9 | 10.5 | 15 |
| AW-08 | 1/2" - 20 | 08 | 9.5 | 11 | 17 |
| AW-09 | 9/16" - 18 | 09 | 10.5 | 11 | 19 |
| AU-10 ^a | 5/8" - 18 | 10 | | | |
| AW-12 | 3/4" - 16 | 12 | 11 | 13 | 24 |
| AW-14 | 7/8" - 14 | 14 | 13 | 14 | 27 |
| AW-17 | 1.1/16" - 12 | 17 | 15 | 15.5 | 32 |
| AW-19 | 1.3/16" - 12 | 19 | 15 | 16 | 36 |
| AW-21 | 1.5/16" - 12 | 21 | 16 | 17 | 41 |
| AW-26 | 1.5/8" - 12 | 26 | 17 | 19 | 50 |
| AW-30 | 1.7/8" - 12 | 30 | 20 | 21 | 55 |
| IMPERIAL HEX (AWI) | | | | | |
| AWI-07 | 7/16" - 20 | 07 | 9 | 10.5 | 5/8" |

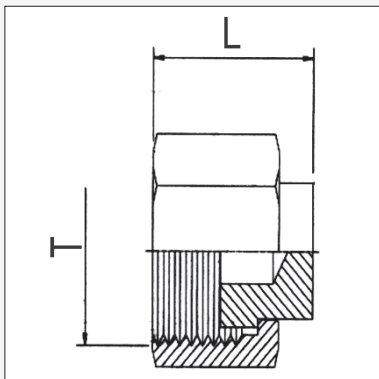
^a SAE Thread Form

AX SERIES BSPF FEMALE CAP



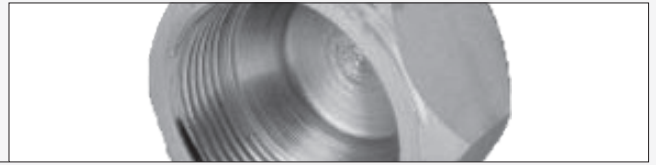
| Product Code | BSPF Size E | | Dimensions (mm) | | |
|--------------|-------------|------|-----------------|------|----|
| | Thread | Dash | A | L | S2 |
| AX-02 | 1/8" - 28 | 02 | 5.5 | 12 | 14 |
| AX-04 | 1/4" - 19 | 04 | 5.5 | 14 | 19 |
| AX-06 | 3/8" - 19 | 06 | 6.3 | 15.5 | 22 |
| AX-08 | 1/2" - 14 | 08 | 7.5 | 17.5 | 27 |
| AX-12 | 3/4" - 14 | 12 | 10.9 | 18.5 | 32 |
| AX-16 | 1" - 11 | 16 | 11.7 | 20 | 41 |
| AX-20 | 1.1/4" - 11 | 20 | 11 | 23 | 50 |
| AX-24 | 1.1/2" - 11 | 24 | 13 | 25 | 55 |
| AX-32 | 2" - 11 | 32 | 16 | 26 | 70 |

FF1319 SERIES ORFS CAP

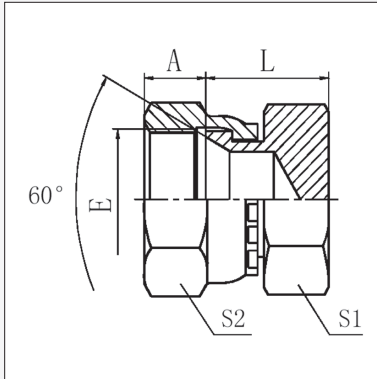


| Product Code | ORFS Thread | | SuitsTubeSize | | Dimensions (mm) | |
|--------------|---------------|------|---------------|------------|-----------------|--|
| | Thread T | Dash | mm | ins | L | |
| FF1319-04 | 9/16" - 18 | 04 | 6 | 1/4" | 16 | |
| FF1319-06 | 11/16" - 16 | 06 | 8-10 | 5/16"-3/8" | 18 | |
| FF1319-08 | 13/16" - 16 | 08 | 12 | 1/2" | 22 | |
| FF1319-10 | 1" - 14 | 10 | 14-16 | 5/8" | 25.5 | |
| FF1319-12 | 1.3/16" - 12 | 12 | 18-20 | 3/4" | 27 | |
| FF1319-16 | 1.7/16" - 12 | 16 | 22-25 | 7/8"-1" | 29 | |
| FF1319-20 | 1.11/16" - 12 | 20 | 28-32 | 1.1/4" | 29 | |
| FF1319-24 | 2" - 12 | 24 | 35-38 | 1.1/2" | 29 | |

CAPS

**KW** SERIES

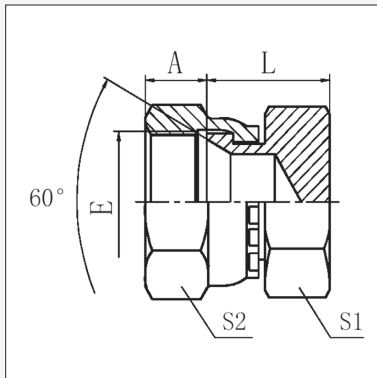
JIS METRIC (KOMATSU®) CAP



| Product Code | JIS Met. Thread E | | Dimensions (mm) | | | |
|--------------|-------------------|------|-----------------|------|----|----|
| | Thread | Dash | A | L | S1 | S2 |
| KW-14 | M14 x 1.5 | 14 | 10.5 | 15 | 19 | 19 |
| KW-16 | M16 x 1.5 | 16 | 9.3 | 17.5 | 22 | 22 |
| KW-18 | M18 x 1.5 | 18 | 11.5 | 18.5 | 24 | 24 |
| KW-20 | M20 x 1.5 | 20 | | | | |
| KW-22 | M22 x 1.5 | 22 | 14 | 21 | 27 | 27 |
| KW-24 | M24 x 1.5 | 24 | 15.1 | 22.5 | 32 | 32 |
| KW-30 | M30 x 1.5 | 30 | 18.3 | 25 | 36 | 36 |
| KW-33 | M33 x 1.5 | 33 | 21.3 | 25.5 | 41 | 41 |

JW SERIES

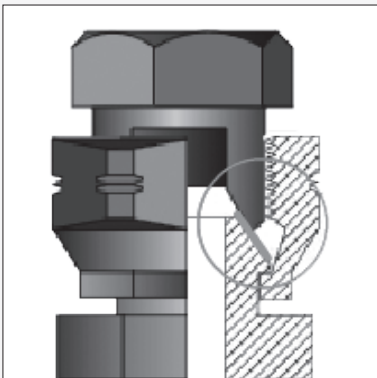
JIS BSPP CAP



| Product Code | BSPP Female 60° Cone Thread E | | Dimensions (mm) | | | |
|--------------|-------------------------------|------|-----------------|------|----|----|
| | Thread | Dash | A | L | S1 | S2 |
| JW-04 | 1/4" - 19 | 04 | 8 | 15 | 17 | 19 |
| JW-06 | 3/8" - 19 | 06 | 9 | 16 | 19 | 22 |
| JW-08 | 1/2" - 14 | 08 | 12.5 | 19 | 22 | 27 |
| JW-12 | 3/4" - 14 | 12 | 13.5 | 23.5 | 32 | 32 |
| JW-16 | 1" - 11 | 16 | 15.5 | 25 | 36 | 41 |

UC-P SERIES

NBR RUBBER CAP / PLUG



| UCAP Product Code | 5mm-35mm Size Range | | |
|-------------------|---------------------|---------|--------------|
| UC-05P | UC-13P | UC-21P | UC-29P* |
| UC-06P | UC-14P | UC-22P | UC-30P* |
| UC-07P | UC-15P | UC-23P | UC-31P* |
| UC-08P | UC-16P | UC-24P | UC-32P* |
| UC-09P | UC-17P | UC-25P | UC-33P* |
| UC-10P | UC-18P | UC-26P* | UC-34P* |
| UC-11P | UC-19P | UC-27P* | UC-35P* |
| UC-12P | UC-20P | UC-28P* | * 2 per pack |

Pack Contents 5 unless indicated otherwise



SECTION 9 ADAPTOR UNIONS

| | | | |
|---------------------|--------------------------------------|---------------------------|-------------|
| AAB / AABI | BSPT x JIC | M / F_{SW} | D 72 |
| AABN | NPTF x JIC | M / F_{SW} | D 72 |
| AABP | BSPP x JIC | M / F_{SW} | D 72 |
| AAM | BSPT x BSPP | M / F_{SW} | D 73 |
| AAMG / AAMGT | BSP GAUGE ADAPTORS | M / F_{SW} | D 73 |
| AAMGN | NPT MALE x BSPP FEMALE GAUGE ADAPTOR | M / F | D 74 |
| AAMGJ | JIC MALE x BSPP FEMALE GAUGE ADAPTOR | M / F | D 74 |
| AAMN | NPTF x NPSM | M / F_{SW} | D 74 |
| AAMP | BSPP x BSPP | M / F_{SW} | D 74 |
| AAP | UN'O' x BSPP | M / F_{SW} | D 75 |
| AAU | UN'O' x JIC | M / F_{SW} | D 75 |
| FF1205 | BSPP MALE (ED) X ORFS FEMALE | M / F | D 75 |
| FF1209 | JIC MALE X ORFS FEMALE | M / F | D 76 |
| FF1214 | ORFS MALE X JIC FEMALE | M / F | D 76 |
| AABS | JIC FEMALE X JIC FEMALE | F / F | D 77 |
| AAMF | BSPP FEMALE X BSPP FEMALE | F / F | D 77 |
| AAPJ | JIC MALE X JIC FEMALE | M / F | D 77 |



SECTION 10 ADAPTORS FIXED

| | | | |
|------------|---------------------------------|--------------|-------------|
| AA | BSPT x BSPT STUD ADAPTOR | M / F | D 78 |
| AB | BSPT x JIC | F / M | D 78 |
| ABH | BSPT FEMALE X JIC MALE BULKHEAD | F / M | D 78 |
| ABN | NPTF x JIC | F / M | D 78 |
| AAN | BSPT x NPTF | M / F | D 79 |
| ANN | NPTF x NPTF | M / F | D 79 |
| ANU | NPTF x UN'O' | F / M | D 79 |
| AUU | UN'O' x UN'O' | F / M | D 79 |



SECTION 11 REDUCING BUSHES

| | | | |
|-----------|------------------------------|--------------|-------------|
| AQ | BSPT x BSPT STUD ADAPTOR | M / F | D 80 |
| AR | NPTF x NPTF | M / F | D 80 |
| RI | BSPP x BSPP STUD (SOFT SEAL) | M / F | D 81 |



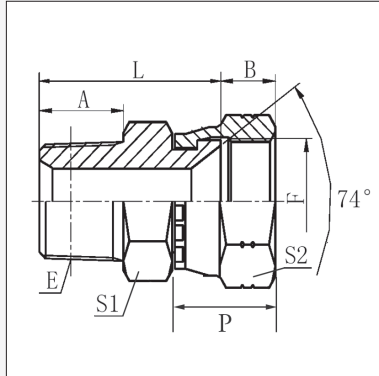
SECTION 12 SOCKETS

| | | | |
|----------------|-------------------------|--------------|-------------|
| W | BSPT x BSPT | F / F | D 82 |
| W_U | UNO FEMALE X UNO FEMALE | F / F | D 82 |
| W (P) | BSPP x BSPP | F / F | D 82 |
| V / VHD | NPTF x NPTF | F / F | D 83 |

ADAPTOR UNIONS

**AAB / AABI SERIES**

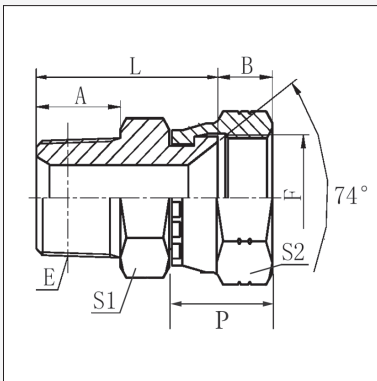
BSPT MALE x JIC FEMALE STRAIGHT UNION



| Product Code | Thread | | Dimensions mm | | | | | |
|----------------------------------|-------------|--------------|---------------|------|------|----|--------|------|
| | E (BSPT) | F (JIC) | A | B | L | S1 | S2 | P |
| AAB-02-07 | 1/8" - 28 | 7/16" - 20 | 10 | 9 | 24 | 12 | 17 | 18.5 |
| AAB-04-09 | 1/4" - 19 | 9/16" - 18 | 14 | 10.5 | 28.5 | 14 | 19 | 21.5 |
| AAB-06-09 | 3/8" - 19 | 9/16" - 18 | 15 | 10.5 | 29.5 | 17 | 19 | 21.5 |
| AAB-06-12 | 3/8" - 19 | 3/4" - 16 | 15 | 10.5 | 31.5 | 19 | 24 | 23 |
| AAB-08-12 | 1/2" - 14 | 3/4" - 16 | 19 | 10.5 | 37.5 | 24 | 24 | 23 |
| AAB-08-14 | 1/2" - 14 | 7/8" - 14 | 19 | 12 | 38 | 24 | 27 | 26 |
| AAB-08-17 | 1/2" - 14 | 1.1/16" - 12 | 20.3 | 15 | 41.5 | 30 | 32 | 27.5 |
| AAB-12-17 | 3/4" - 14 | 1.1/16" - 12 | 19 | 15 | 41.5 | 30 | 32 | 27.5 |
| AAB-16-17 | 1" - 11 | 1.1/16" - 12 | 24.5 | 15 | 47 | 36 | 32 | 27.5 |
| AAB-16-21 | 1" - 11 | 1.5/16" - 12 | 24 | 16 | 47.5 | 36 | 41 | 30 |
| AAB-20-26 | 1.1/4" - 11 | 1.5/8" - 12 | 25 | 17 | 52 | 46 | 50 | 33 |
| IMPERIAL HEX SIZES (AABI) | | | | | | | | |
| AABI-02-07 | 1/8" - 28 | 7/16" - 20 | 10 | 9 | 24 | 12 | 5/8" | 18.5 |
| AABI-06-09 | 3/8" - 19 | 9/16" - 18 | 15 | 10.5 | 29.5 | 17 | 3/4" | 21.5 |
| AABI-16-21 | 1" - 11 | 1.5/16" - 12 | 24 | 16 | 47.5 | 36 | 1.5/8" | 30 |

AABN SERIES

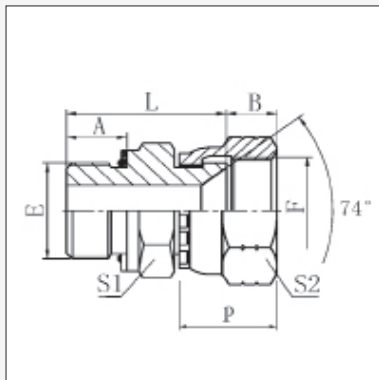
NPT MALE x JIC FEMALE STRAIGHT UNION



| Product Code | Thread | | Dimensions mm | | | | | |
|--------------|---------------|--------------|---------------|------|------|----|----|------|
| | E (NPT) | F (JIC) | A | B | L | S1 | S2 | P |
| AABN-02-07 | 1/8" - 27 | 7/16" - 20 | 10.5 | 9 | 24.5 | 12 | 17 | 18.5 |
| AABN-04-07 | 1/4" - 18 | 7/16" - 20 | 19 | 9 | 29 | 17 | 17 | 17.1 |
| AABN-04-09 | 1/4" - 18 | 9/16" - 18 | 15 | 10.5 | 29.5 | 17 | 19 | 21.5 |
| AABN-06-12 | 3/8" - 18 | 3/4" - 16 | 16 | 10.5 | 32.5 | 19 | 24 | 23 |
| AABN-06-14 | 3/8" - 18 | 7/8" - 14 | 16 | 13 | 35.5 | 22 | 27 | 23 |
| AABN-08-12 | 1/2" - 14 | 3/4" - 16 | 19.5 | 10.5 | 37.5 | 22 | 24 | 23 |
| AABN-08-14 | 1/2" - 14 | 7/8" - 14 | 19.5 | 13 | 38.5 | 22 | 27 | 23 |
| AABN-12-17 | 3/4" - 14 | 1.1/16" - 12 | 19.5 | 15 | 42 | 30 | 32 | 27.5 |
| AABN-16-21 | 1" - 11½ | 1.5/16" - 12 | 25.5 | 16 | 48 | 36 | 41 | 30 |
| AABN-20-26 | 1.1/4" - 11½ | 1.5/8" - 12 | 26 | 15.3 | 41.5 | 43 | 51 | 32 |
| AABN-24-30 | 1.1/2" - 11.5 | 1.7/8" - 12 | 27.5 | 23.5 | 57 | 50 | 60 | 36 |
| AABN-32-40 | 2" - 11½ | 2.1/2" - 12 | | | | | | |

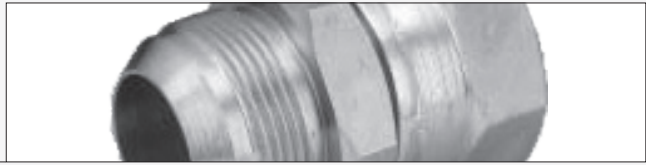
AABP SERIES

BSPP MALE x JIC FEMALE STRAIGHT UNION



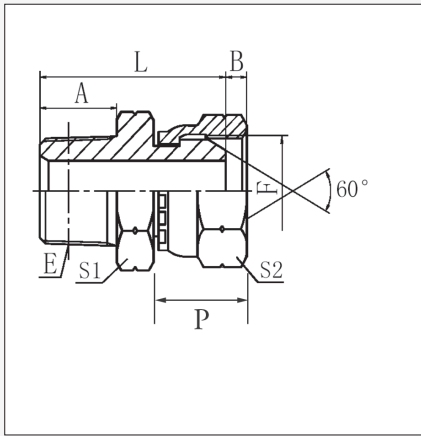
| Product Code | Thread | | Dimensions mm | | | | | |
|--------------|-------------|--------------|---------------|------|------|------|------|------|
| | E (BSPP) | F (JIC) | A | B | L | S1 | S2 | P |
| AABP-02-07 | 1/8" - 28 | 7/16" - 20 | 8 | 9 | 24 | 14 | 14.3 | 15 |
| AABP-04-07 | 1/4" - 19 | 7/16" - 20 | 10 | 9 | 30 | 19 | 15 | 18.5 |
| AABP-04-09 | 1/4" - 19 | 9/16" - 18 | 10 | 10.5 | 31.5 | 19 | 19 | 21.5 |
| AABP-06-09 | 3/8" - 19 | 9/16" - 18 | 10 | 10.5 | 31.5 | 22 | 19 | 21.5 |
| AABP-06-12 | 3/8" - 19 | 3/4" - 16 | 10 | 10.5 | 33 | 22 | 24 | 23 |
| AABP-06-14 | 3/8" - 19 | 7/8" - 14 | 10 | 12 | 35 | 22 | 27 | 26 |
| AABP-08-09 | 1/2" - 14 | 9/16" - 18 | 17 | 10 | 36.2 | 27 | 17.5 | |
| AABP-08-12 | 1/2" - 14 | 3/4" - 16 | 12 | 10.5 | 36.5 | 27 | 24 | 23 |
| AABP-08-14 | 1/2" - 14 | 7/8" - 14 | 12 | 12 | 38 | 27 | 27 | 26 |
| AABP-08-17 | 1/2" - 14 | 1.1/16" - 12 | 17 | 15 | 38.5 | 32 | 32 | |
| AABP-12-12 | 3/4" - 11 | 3/4" - 16 | 16 | 11 | 39.5 | 32 | 22.2 | |
| AABP-12-14 | 3/4" - 11 | 7/8" - 14 | 39.6 | 13 | 16 | 32 | 25.4 | 24.3 |
| AABP-12-17 | 3/4" - 14 | 1.1/16" - 12 | 14 | 15 | 40.5 | 32 | 32 | 27.5 |
| AABP-12-21 | 3/4" - 14 | 1.5/16" - 12 | 16.1 | 15.1 | 46.2 | 37.5 | 37.7 | 30 |
| AABP-16-17 | 1" - 11 | 1.1/16" - 12 | 21 | 15 | 44 | 41 | 32 | |
| AABP-16-21 | 1" - 11 | 1.5/16" - 12 | 15.5 | 16 | 44.5 | 41 | 41 | 30 |
| AABP-20-21 | 1.14" - 11 | 1.5/16" - 12 | 23 | 15.2 | 56.8 | 50 | 38 | |
| AABP-20-26 | 1.1/4" - 11 | 1.5/8" - 12 | 23 | 15.9 | 46 | 50 | 50 | |
| AABP-20-30 | 1.1/4" - 11 | 1.7/8" - 12 | 23 | 16 | 57.5 | 55 | 55 | |

ADAPTOR UNIONS



AAM SERIES

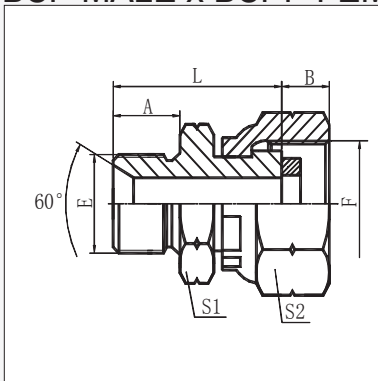
BSPT MALE x BSPP FEMALE STRAIGHT UNION



| Product Code | Thread | | Dimensions mm | | | | | |
|--------------|-------------|-------------|---------------|------|------|----|----|------|
| | E (BSPT) | F (BSPP) | A | B | L | S1 | S2 | P |
| AAM-02-02 | 1/8" - 28 | 1/8" - 28 | 10 | 5.5 | 25 | 12 | 14 | 16 |
| AAM-02-04 | 1/8" - 28 | 1/4" - 19 | 10 | 5.5 | 27 | 12 | 19 | 17 |
| AAM-04-02 | 1/4" - 19 | 1/8" - 28 | 14.5 | 5.5 | 29.5 | 17 | 14 | 16 |
| AAM-04-04 | 1/4" - 19 | 1/4" - 19 | 14.5 | 5.5 | 31.5 | 17 | 19 | 17 |
| AAM-04-06 | 1/4" - 19 | 3/8" - 19 | 15 | 6 | 33 | 19 | 22 | 19 |
| AAM-06-04 | 3/8" - 19 | 1/4" - 19 | 15 | 5.5 | 32 | 19 | 19 | 17 |
| AAM-06-06 | 3/8" - 19 | 3/8" - 19 | 15 | 6.3 | 33 | 19 | 22 | 19 |
| AAM-06-08 | 3/8" - 19 | 1/2" - 14 | 15 | 7.5 | 35 | 19 | 27 | 22 |
| AAM-08-06 | 1/2" - 14 | 3/8" - 19 | 20 | 6.3 | 40 | 22 | 22 | 19 |
| AAM-08-08 | 1/2" - 14 | 1/2" - 14 | 20 | 7.5 | 42 | 22 | 27 | 22 |
| AAM-08-12 | 1/2" - 14 | 3/4" - 14 | 20 | 10.9 | 45 | 27 | 32 | 25 |
| AAM-12-08 | 3/4" - 14 | 1/2" - 14 | 20.3 | 7 | 45.7 | 30 | 27 | 20.4 |
| AAM-12-12 | 3/4" - 14 | 3/4" - 14 | 20 | 10.9 | 45 | 30 | 32 | 25 |
| AAM-12-16 | 3/4" - 14 | 1" - 11 | 20 | 11.7 | 46 | 32 | 41 | 32 |
| AAM-16-12 | 1" - 11 | 3/4" - 14 | 20.3 | 9 | 49.6 | 32 | 38 | 21.7 |
| AAM-16-16 | 1" - 11 | 1" - 11 | 25.5 | 11.7 | 52.5 | 36 | 41 | 32 |
| AAM-16-20 | 1" - 11 | 1.1/4" - 11 | 27 | 9 | 59.6 | 46 | 50 | 33 |
| AAM-20-12 | 1.1/4" - 11 | 3/4" - 14 | 26.5 | 10.9 | 54.5 | 46 | 32 | 25 |
| AAM-20-16 | 1.1/4" - 11 | 1" - 11 | 26.5 | 11.7 | 55.5 | 46 | 41 | 32 |
| AAM-20-20 | 1.1/4" - 11 | 1.1/4" - 11 | 26.5 | 11 | 58 | 46 | 50 | 33 |
| AAM-20-24 | 1.1/4" - 11 | 1.1/2" - 11 | 26.6 | 12 | 61 | 50 | 55 | 33 |
| AAM-24-24 | 1.1/2" - 11 | 1.1/2" - 11 | 27 | 12 | 62.5 | 50 | 55 | 35 |
| AAM-32-32 | 2" - 11 | 2" - 11 | 30 | 16 | 69.1 | 65 | 70 | 40 |

AAMG / T SERIES

BSP MALE x BSPP FEMALE GAUGE ADAPTOR



| Product Code | Thread | | Dimensions mm | | | | | | O-RING/P/N |
|--------------|-----------|-----------|---------------|------|------|------|------|-------------|------------|
| | E (BSPP) | F (BSPP) | A | B | L | S1 | S2 | | |
| AAMG-04-04* | 1/4" - 19 | 1/4" - 19 | 12 | 14.5 | 26.5 | 19 | 19 | AAMGOR - 04 | |
| AAMG-04-08* | 1/4" - 19 | 1/2" - 14 | 13.9 | 15.4 | 33.0 | 21.7 | 26.8 | AAMGOR - 08 | |
| AAMG-06-08* | 3/8" - 18 | 1/2" - 14 | 11.9 | 15.5 | 34.0 | 21.7 | 26.8 | AAMGOR - 08 | |
| AAMG-08-08* | 1/2" - 14 | 1/2" - 14 | 14.0 | 15.5 | 38.0 | 26.7 | 26.8 | AAMGOR - 08 | |
| | E (BSPT) | F (BSPP) | | | | | | | |
| AAMGT-02-04* | 1/8" - 27 | 1/4" - 19 | 10.2 | 10.0 | 25.3 | 13.7 | 18.8 | AAMGOR - 04 | |
| AAMGT-04-04* | 1/4" - 19 | 1/4" - 19 | 14.9 | 10.4 | 32.6 | 16.8 | 18.8 | AAMGOR - 04 | |
| AAMGT-04-08* | 1/4" - 19 | 1/2" - 14 | 14.7 | 15.5 | 32.1 | 18.8 | 26.9 | | |
| AAMGT-06-08* | 3/8" - 19 | 1/2" - 14 | 15.0 | 15.7 | 33.2 | 21.7 | 26.8 | AAMGOR - 08 | |

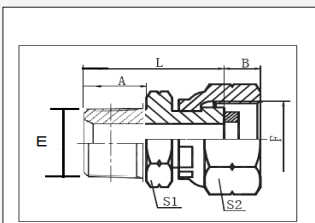
*NOTE: The above adaptors are supplied with a sealing O-ring mounted internally. Refer to above table for replacement O-Ring part number

**NOTE: The above adaptors are supplied with a sealing washer mounted internally.
Copper Seal PGS-04P is available separately as a spare part for the 1/4" gauge stem if needed.
Dimensions: 9.3mm x 5.4mm x 3.2mm



AAMGN SERIES

NPT MALE x BSPP FEMALE GAUGE ADAPTOR



| Product Code | Thread | | Dimensions mm | | | | | | O-RING P/N |
|--------------|-----------|-----------|---------------|------|------|----|----|-------------|------------|
| | E (NPT) | F (BSPP) | A | B | L | S1 | S2 | | |
| AAMGN-04-04* | 1/4" - 18 | 1/4" - 19 | 12 | 14.5 | 26.5 | 19 | 19 | AAMGOR - 04 | |

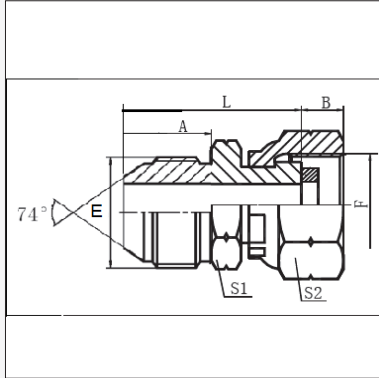
*NOTE: The above adaptor is supplied with a sealing O-ring mounted internally. Refer to above table for replacement O-Ring part number

ADAPTOR UNIONS



AAMGJ SERIES

JIC MALE x BSPP FEMALE GAUGE ADAPTOR

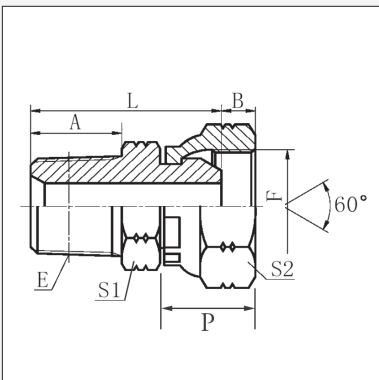


| Product Code | Thread | | Dimensions mm | | | | | |
|--------------|------------|-----------|---------------|------|------|------|------|-------------|
| | E (JIC) | F (BSPP) | A | B | L | S1 | S2 | O-RING P/N |
| AAMGJ-07-04* | 7/16" - 20 | 1/4" - 19 | 12 | 14.5 | 26.5 | 19 | 19 | AAMGOR - 04 |
| AAMGJ-09-04* | 9/16" - 18 | 1/4" - 19 | 14.1 | 10.3 | 31.8 | 16.7 | 18.8 | AAMGOR - 04 |
| AAMGJ-09-08* | 9/16" - 18 | 1/2" - 14 | 14.1 | 15.7 | 33.2 | 21.8 | 26.8 | AAMGOR - 04 |

*NOTE: All the above adaptors are supplied with a sealing O-ring mounted internally. Refer to above table for replacement O-Ring part number

AAMN SERIES

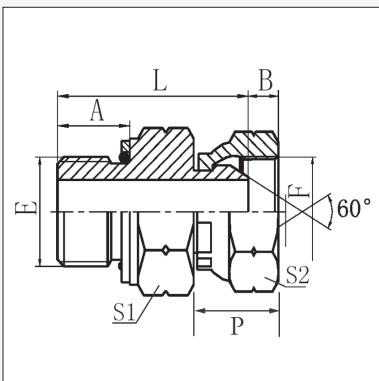
NPTF MALE x NPSM FEMALE STRAIGHT UNION



| Product Code | Thread | | Dimensions mm | | | | | |
|--------------|---------------|---------------|---------------|------|------|----|----|----|
| | E (NPT) | F (NPSM) | A | B | L | S1 | S2 | P |
| AAMN-02-02 | 1/8" - 27 | 1/8" - 27 | 10.5 | 3.5 | 25.5 | 12 | 15 | 16 |
| AAMN-02-04 | 1/8" - 27 | 1/4" - 18 | 10.5 | 4.6 | 27 | 14 | 19 | 17 |
| AAMN-04-04 | 1/4" - 18 | 1/4" - 18 | 15 | 4.6 | 31 | 17 | 19 | 17 |
| AAMN-04-06 | 1/4" - 18 | 3/8" - 18 | 15 | 6 | 32.5 | 17 | 22 | 19 |
| AAMN-06-04 | 3/8" - 18 | 1/4" - 18 | 16 | 4.6 | 33 | 19 | 19 | 17 |
| AAMN-06-06 | 3/8" - 18 | 3/8" - 18 | 16 | 6 | 33.5 | 19 | 22 | 19 |
| AAMN-06-08 | 3/8" - 18 | 1/2" - 14 | 16 | 7.5 | 36 | 19 | 27 | 22 |
| AAMN-08-04 | 1/2" - 14 | 1/4" - 18 | 19.5 | 4.6 | 38.5 | 22 | 19 | 17 |
| AAMN-08-06 | 1/2" - 14 | 3/8" - 18 | 19.5 | 6 | 39.5 | 22 | 22 | 19 |
| AAMN-08-08 | 1/2" - 14 | 1/2" - 14 | 19.5 | 7.5 | 41 | 22 | 27 | 22 |
| AAMN-08-12 | 1/2" - 14 | 3/4" - 14 | 19.5 | 8.9 | 44.5 | 27 | 32 | 25 |
| AAMN-12-12 | 3/4" - 14 | 3/4" - 14 | 19.5 | 8.9 | 44.5 | 30 | 32 | 25 |
| AAMN-16-16 | 1" - 11.5 | 1" - 11.5 | 25.5 | 10.5 | 52.5 | 36 | 41 | 32 |
| AAMN-20-20 | 1.1/4" - 11.5 | 1.1/4" - 11.5 | 26.5 | 11.2 | 60.4 | 46 | 50 | 33 |
| AAMN-24-24 | 1.1/2" - 11.5 | 1.1/2" - 11.5 | 27.5 | 11.2 | 62 | 50 | 55 | 37 |
| AAMN-32-32 | 2" - 11.5 | 2" - 11.5 | 27.5 | 11.2 | 65.4 | 65 | 70 | 42 |

AAMP SERIES

BSPP MALE x BSPP FEMALE STRAIGHT UNION



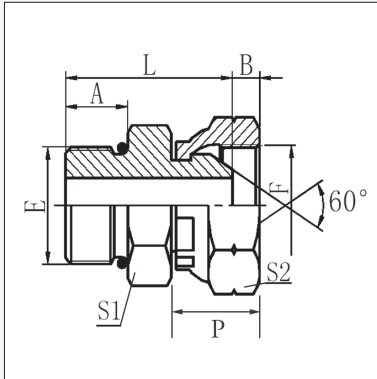
| Product Code | Thread | | Dimensions mm | | | | | |
|--------------|-------------|-------------|---------------|------|------|----|----|----|
| | E (BSPP) | F (BSPP) | A | B | L | S1 | S2 | P |
| AAMP-04-04 | 1/4" - 19 | 1/4" - 19 | 10.5 | 5.5 | 28.5 | 19 | 19 | 17 |
| AAMP-06-06 | 3/8" - 19 | 3/8" - 19 | 11.5 | 6.3 | 32 | 22 | 22 | 19 |
| AAMP-06-08 | 3/8" - 19 | 1/2" - 14 | 11.5 | 7.5 | 34 | 22 | 27 | 22 |
| AAMP-08-08 | 1/2" - 14 | 1/2" - 14 | 14 | 7.5 | 38 | 27 | 27 | 22 |
| AAMP-08-12 | 1/2" - 14 | 3/4" - 14 | 16 | 10.9 | 41 | 27 | 32 | |
| AAMP-08-16 | 1/2" - 14 | 1" - 11 | 16 | 11.7 | 43.5 | 32 | 41 | |
| AAMP-12-12 | 3/4" - 14 | 3/4" - 14 | 15.5 | 10.9 | 41.5 | 32 | 32 | 25 |
| AAMP-12-16 | 3/4" - 14 | 1" - 11 | 10 | 9 | 19 | 38 | 41 | - |
| AAMP-16-12 | 1" - 11 | 3/4" - 14 | 12 | 9 | 21 | 41 | 32 | - |
| AAMP-16-16 | 1" - 11 | 1" - 11 | 18 | 11.7 | 48 | 41 | 41 | 32 |
| AAMP-20-20 | 1.1/4" - 11 | 1.1/4" - 11 | 20 | 11 | 53.5 | 50 | 50 | 33 |
| AAMP-24-24 | 1.1/2" - 11 | 1.1/2" - 11 | 21.5 | 13 | 55.5 | 60 | 55 | - |

ADAPTOR UNIONS



AAP SERIES

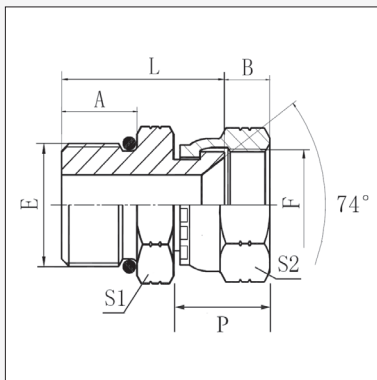
UN'O' MALE x BSPP FEMALE STRAIGHT UNION



| Product Code | Thread | | Dimensions mm | | | | |
|--------------|--------------|-----------|---------------|------|------|----|----|
| | E (UNO) | F (BSPP) | A | B | S1 | S2 | P |
| AAP-09-04 | 9/16" - 18 | 1/4" - 19 | 9.9 | 5.5 | 27 | 17 | 19 |
| AAP-09-06 | 9/16" - 18 | 3/8" - 19 | 9.9 | 6.3 | 28 | 17 | 22 |
| AAP-12-06 | 3/4" - 16 | 3/8" - 19 | 11.1 | 6.3 | 31 | 22 | 22 |
| AAP-12-08 | 3/4" - 16 | 1/2" - 14 | 11.1 | 7.5 | 33 | 22 | 27 |
| AAP-14-06 | 7/8" - 14 | 3/8" - 19 | 12.7 | 6.3 | 35 | 27 | 22 |
| AAP-14-08 | 7/8" - 14 | 1/2" - 14 | 12.7 | 7.5 | 36.5 | 27 | 27 |
| AAP-17-12 | 1.1/16" - 12 | 3/4" - 14 | 15.1 | 10.9 | 41 | 32 | 32 |
| AAP-21-16 | 1.5/16" - 12 | 1" - 11 | 15.1 | 11.7 | 42 | 38 | 41 |

AAU SERIES

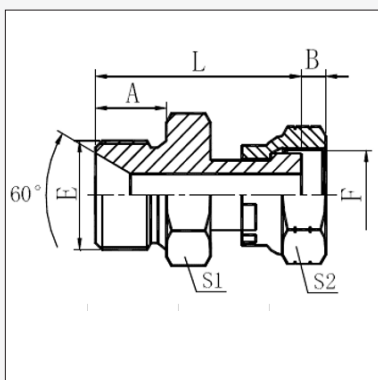
UN'O' MALE x JIC FEMALE STRAIGHT UNION



| Product Code | Thread | | Dimensions mm | | | | | |
|--------------|--------------|--------------|---------------|------|------|----|----|------|
| | E (UNO) | F (JIC) | A | B | L | S1 | S2 | P |
| AAU-07-07 | 7/16" - 20 | 7/16" - 20 | 9.1 | 9 | 23 | 14 | 15 | 18.5 |
| AAU-09-09 | 9/16" - 18 | 9/16" - 18 | 9.9 | 10.5 | 24.5 | 17 | 19 | 21.5 |
| AAU-12-12 | 3/4" - 16 | 3/4" - 16 | 11.1 | 10.5 | 29.5 | 22 | 24 | 23 |
| AAU-14-14 | 7/8" - 14 | 7/8" - 14 | 12.7 | 12 | 34 | 27 | 27 | |
| AAU-17-17 | 1.1/16" - 12 | 1.1/16" - 12 | 15.1 | 15 | 38.5 | 32 | 32 | 27.5 |
| AAU-21-21 | 1.5/16" - 12 | 1.5/16" - 12 | 15.1 | 16 | 38.5 | 38 | 41 | 30 |

FF1205 SERIES

BSPP MALE (ED) X ORFS FEMALE



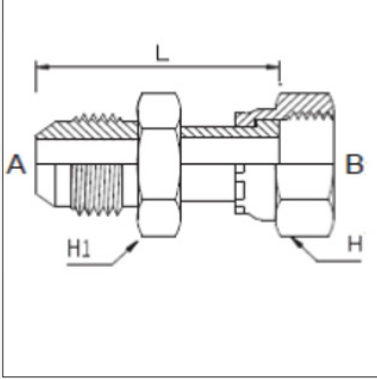
| Product Code | Thread | | Dimensions mm | | | | |
|--------------|----------|------------|---------------|------|------|----|------|
| | E (BSPP) | F (ORFS) | A | B | L | S1 | S2 |
| FF1205-0404 | 1/4"-19 | 9/16"-18 | 12 | 8.2 | 34 | 19 | 17 |
| FF1205-0606 | 3/8"-19 | 11/16"-16 | 13.5 | 9 | 40 | 22 | 22 |
| FF1205-0808 | 1/2"-14 | 13/16"-16 | 16 | 11 | 46.5 | 27 | 27 |
| FF1205-0810 | 1/2"-14 | 1"-14 | 16 | 13.5 | 50.5 | 27 | 30 |
| FF1205-1212 | 3/4"-14 | 1.3/16"-12 | 16 | 17.5 | 56 | 32 | 35 |
| FF1205-1616 | 1"-11 | 1.7/16"-12 | 18 | 17.5 | 61.7 | 41 | 41.3 |

ADAPTOR UNIONS



FF1209 SERIES

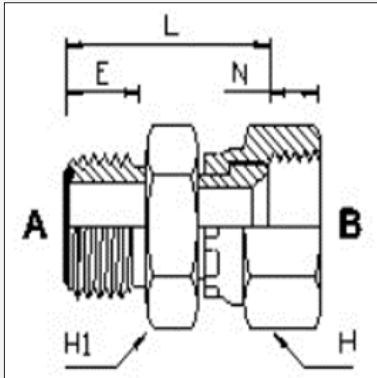
JIC MALE X ORFS FEMALE



| Product Code | Thread | | Dimensions mm | | |
|--------------|-----------|------------|---------------|-------|-------|
| | A (JIC) | B (ORFS) | L | H1 | H |
| FF1209-0704 | 7/16-20 | 9/16-18 | 35.5 | 14 | 19 |
| FF1209-0706 | 7/16-20 | 11/16-16 | 32 | 19.1 | 20.6 |
| FF1209-0904 | 9/16-18 | 9/16-18 | 35.5 | 17 | 17 |
| FF1209-0906 | 9/16-18 | 11/16-16 | 32 | 19.05 | 22.23 |
| FF1209-0908 | 9/16-18 | 13/16-16 | 36 | 22.2 | 23.8 |
| FF1209-1208 | 3/4-16 | 13/16-16 | 37 | 22.23 | 27 |
| FF1209-1410 | 7/8-14 | 1-14 | 44 | 27 | 28.58 |
| FF1209-1412 | 7/8-14 | 1.3/16-12 | 47 | 31.8 | 34.9 |
| FF1209-1416 | 7/8-14 | 1.7/16-12 | 48 | 38.1 | 41.3 |
| FF1209-1712 | 1.1/16-12 | 1.3/16-12 | 49 | 31.75 | 34.93 |
| FF1209-2116 | 1.5/16-12 | 1.7/16-12 | 52 | 38.1 | 41.28 |
| FF1209-2616 | 1.5/16-12 | 1.7/16-12 | 58 | 38.1 | 41.3 |
| FF1209-2620 | 1.5/8-12 | 1.11/16-12 | 58 | 47.63 | 47.63 |

FF1214 SERIES

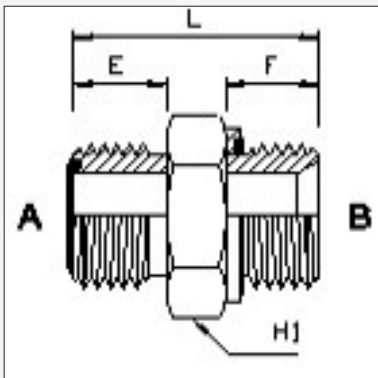
ORFS MALE X JIC FEMALE



| Product Code | Thread | | Dimensions mm | | | | |
|--------------|------------|-----------|---------------|----|----|------|------|
| | A (ORFS) | B (JIC) | L | E | N | H1 | H |
| FF1214-0407 | 9/16-18 | 7/16-20 | 25 | 10 | 9 | 14.3 | 14.3 |
| FF1214-0607 | 11/16-16 | 7/16-20 | 29 | 11 | 9 | 17.5 | 14.3 |
| FF1214-0609 | 11/16-16 | 9/16-18 | 30 | 11 | 10 | 17.5 | 17.5 |
| FF1214-0809 | 13/16-16 | 9/16-18 | 33 | 13 | 10 | 22.2 | 22.2 |
| FF1214-0812 | 13/16-16 | 3/4-16 | 34 | 13 | 11 | 22.2 | 22.2 |
| FF1214-1014 | 1-14 | 7/8-14 | 40 | 16 | 13 | 25.4 | 25.4 |
| FF1214-1214 | 1.3/16-12 | 7/8-14 | 44 | 17 | 13 | 31.8 | 25.4 |
| FF1214-1217 | 1.3/16-12 | 1.1/16-12 | 44 | 17 | 14 | 31.8 | 31.8 |
| FF1214-1614 | 1.7/16-12 | 7/8-14 | 44 | 18 | 13 | 38.1 | 25.4 |
| FF1214-1621 | 1.7/16-12 | 1.5/16-12 | 47 | 18 | 15 | 38.1 | 38.1 |
| FF1214-1626 | 1.7/16-12 | 1.5/8-12 | 51 | 18 | 16 | 50.8 | 50 |
| FF1214-2026 | 1.11/16-12 | 1.5/8-12 | 51 | 18 | 16 | 50.8 | 50 |

FF121M SERIES

ORFS MALE X METRIC MALE (ENCAPSULATED SEAL)

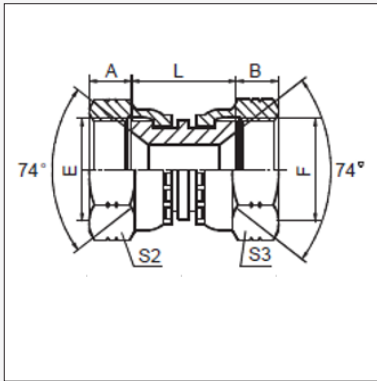


| Product code | Thread | | Dimensions mm | | | |
|--------------|--------------|------------|---------------|----|----|----|
| | E (ORFS) | F (METRIC) | L | E | F | H1 |
| FF121M-0614 | 1.1/16" - 16 | M14 X 1.5 | 33 | 11 | 12 | 19 |

ADAPTOR UNIONS

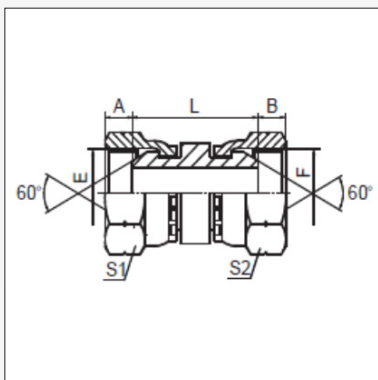


AABS SERIES JIC FEMALE X JIC FEMALE



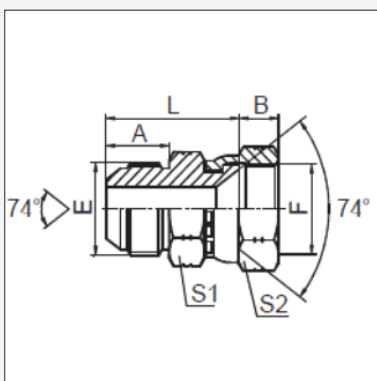
| Product Code | Thread | | Dimensions mm | | | | |
|--------------|------------|------------|---------------|------|----|----|----|
| | E (JIC) | F (JIC) | A | B | L | S2 | S3 |
| AABS-07-07 | 7/16"-20 | 7/16"-20 | 9 | 9 | 19 | 15 | 15 |
| AABS-09-09 | 9/16"-18 | 9/16"-18 | 10.5 | 10.5 | 21 | 19 | 19 |
| AABS-12-12 | 3/4"-16 | 3/4"-16 | 11 | 11 | 26 | 24 | 24 |
| AABS-14-14 | 7/8"-14 | 7/8"-14 | 13 | 13 | 27 | 27 | 27 |
| AABS-17-17 | 1.1/16"-12 | 1.1/16"-12 | 15 | 15 | 29 | 32 | 36 |
| AABS-21-21 | 1.5/16"-12 | 1.5/16"-12 | 16 | 16 | 29 | 41 | 41 |

AAMF SERIES BSPP FEMALE X BSPP FEMALE



| Product Code | Thread | | Dimensions mm | | | | |
|--------------|----------|----------|---------------|------|------|----|----|
| | E (BSPP) | F (BSPP) | A | B | L | S1 | S2 |
| AAMF-06-06 | 3/8"-19 | 3/8"-19 | - | - | 28 | 22 | 22 |
| AAMF-08-08 | 1/2"-14 | 1/2"-14 | 7.5 | 7.5 | 31 | 27 | 27 |
| AAMF-16-16 | 1"-11 | 1"-11 | 11.7 | 11.7 | 36.5 | 41 | 41 |

AAPJ SERIES JIC MALE X JIC FEMALE

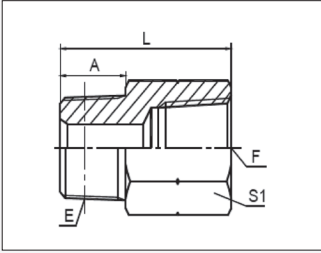


| Product Code | Thread | | Dimensions mm | | | | |
|--------------|------------|------------|---------------|------|------|------|------|
| | E (JIC) | F (JIC) | A | B | L | S1 | S2 |
| AAPJ-07-07 | 7/16"-20 | 7/16"-20 | 14 | 9 | 28 | 12 | 15 |
| AAPJ-09-09 | 9/16"-18 | 9/16"-18 | 14.1 | 10.5 | 29 | 17 | 19 |
| AAPJ-12-12 | 3/4"-16 | 3/4"-16 | 16.7 | 11 | 36 | 22 | 24 |
| AAPJ-14-14 | 7/8"-14 | 7/8"-14 | 19.3 | 13 | 39 | 24 | 27 |
| AAPJ-17-17 | 1.1/16"-12 | 1.1/16"-12 | 21.9 | 15 | 44.5 | 30 | 32 |
| AAPJ-21-21 | 1.5/16"-12 | 1.5/16"-12 | 23 | 15 | 49 | 34.9 | 38.1 |

ADAPTORS FIXED

**AA** SERIES

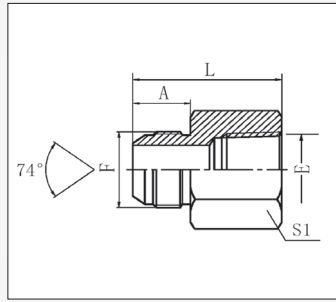
BSPT MALE x BSPT STUD ADAPTOR



| Product Code | BSPT Thread E | BSPT Thread F | Dimensions (mm) | | |
|--------------|---------------|---------------|-----------------|------|----|
| | | | A | L | S1 |
| AA-02-02 | 1/8" - 28 | 1/8" - 28 | 11.5 | 27.5 | 14 |
| AA-02-04 | 1/8" - 28 | 1/4" - 19 | 10 | 31 | 17 |
| AA-04-04 | 1/4" - 19 | 1/4" - 19 | 14 | 35 | 20 |
| AA-04-06 | 1/4" - 19 | 3/8" - 19 | 14 | 37 | 22 |
| AA-06-06 | 3/8" - 19 | 3/8" - 19 | 15 | 41 | 25 |
| AA-06-08 | 3/8" - 19 | 1/2" - 14 | 15 | 43 | 27 |
| AA-08-08 | 1/2" - 14 | 1/2" - 14 | 19.6 | 49 | 27 |
| AA-08-12 | 1/2" - 14 | 3/4" - 14 | 19 | 50 | 32 |
| AA-12-16 | 3/4" - 14 | 1" - 11 | - | 57 | 41 |

AB SERIES

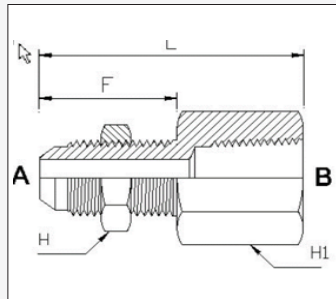
BSPT FEMALE x JIC MALE STRAIGHT



| Product Code | Thread | | Dimensions mm | | |
|--------------|-----------|--------------|---------------|------|----|
| | E (BSPT) | F (JIC) | A | L | S1 |
| AB-02-07 | 1/8" - 28 | 7/16" - 20 | 14 | 30 | 14 |
| AB-04-07 | 1/4" - 19 | 7/16" - 20 | 14 | 35.5 | 19 |
| AB-04-08 | 1/4" - 19 | 1/2" - 20 | 14 | 35.5 | 19 |
| AB-04-09 | 1/4" - 19 | 9/16" - 18 | 14 | 35.5 | 19 |
| AB-06-09 | 3/8" - 19 | 9/16" - 18 | 14 | 36.5 | 22 |
| AB-06-12 | 3/8" - 19 | 3/4" - 16 | 16.7 | 39.5 | 22 |
| AB-08-09 | 1/2" - 14 | 9/16" - 18 | 14 | 42.5 | 27 |
| AB-08-12 | 1/2" - 14 | 3/4" - 16 | 16.7 | 45.5 | 27 |
| AB-08-14 | 1/2" - 14 | 7/8" - 14 | 19.3 | 48 | 27 |
| AB-12-17 | 3/4" - 14 | 1.1/16" - 12 | 22 | 52.5 | 36 |
| AB-16-21 | 1" - 11 | 1.5/16" - 12 | 23 | 59.5 | 41 |

ABH SERIES

BSPT FEMALE X JIC MALE BULKHEAD

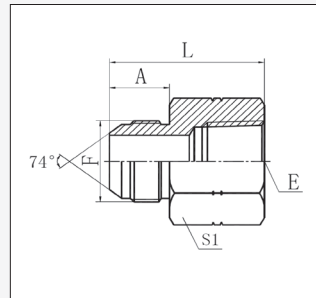


| Product Code | Thread | | Dimensions mm | | |
|--------------|---------|----------|---------------|----|----|
| | A (JIC) | B (BSPT) | L | F | H1 |
| ABH-02-07 | 7/16-20 | 1/8-28 | 47 | 31 | 14 |
| SSABH-02-07 | 7/16-20 | 1/8-28 | 47 | 31 | 14 |

*SSABH-02-07 stainless steel

ABN SERIES

NPT FEMALE x JIC MALE STRAIGHT



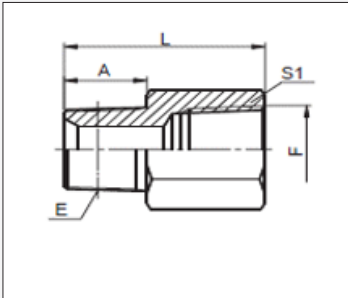
| Product Code | Thread | | Dimensions mm | | |
|--------------|-----------|--------------|---------------|------|----|
| | E (NPT) | F (JIC) | A | L | S1 |
| ABN-02-07 | 1/8" - 28 | 7/16" - 20 | 14 | 30.2 | 14 |
| ABN-04-07 | 1/4" - 19 | 7/16" - 20 | 14 | 35.3 | 19 |
| ABN-04-09 | 1/4" - 19 | 9/16" - 18 | 14.1 | 35.6 | 19 |
| ABN-06-09 | 3/8" - 19 | 9/16" - 18 | 14.1 | 37.1 | 22 |
| ABN-06-12 | 3/8" - 19 | 3/4" - 16 | 16.7 | 39.6 | 22 |
| ABN-08-09 | 1/2" - 14 | 9/16" - 18 | 14.5 | 43 | 26 |
| ABN-08-12 | 1/2" - 14 | 3/4" - 16 | 16.7 | 45.6 | 30 |
| ABN-08-14 | 1/2" - 14 | 7/8" - 14 | 19.5 | 48 | 29 |
| ABN-12-17 | 3/4" - 14 | 1.1/16" - 12 | 21.9 | 52.3 | 36 |
| ABN-16-21 | 1" - 11 | 1.5/16" - 12 | 23.1 | 59.7 | 41 |

This page is part of a complete catalogue containing technical and safety data.
All data must be reviewed when selecting a product.
Pirtek reserve the right to change technical specifications without notice



AAN SERIES

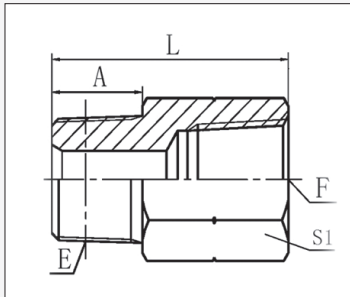
BSPT MALE X NPT FEMALE



| Product Code | Thread | | Dimensions mm | | |
|--------------|---------|---------|---------------|----|----|
| | E(BSPT) | F(NPT) | A | L | S1 |
| AAN-02-02 | 1/8"X28 | 1/8"X27 | 10 | 25 | 17 |

ANN SERIES

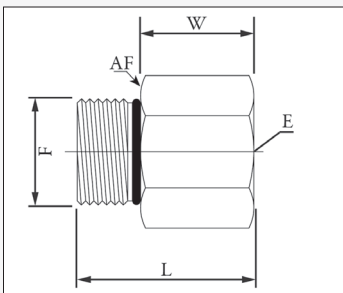
NPT MALE x NPT FEMALE REDUCER



| Product Code | NPT Thread E | NPT Thread F | Dimensions (mm) | | |
|--------------|--------------|--------------|-----------------|------|----|
| | | | A | L | S1 |
| ANN-02-02 | 1/8" - 27 | 1/8" - 27 | 10.5 | 25.5 | 17 |
| ANN-02-04 | 1/8" - 27 | 1/4" - 18 | 10.5 | 31 | 19 |
| ANN-04-04 | 1/4" - 18 | 1/4" - 18 | 15 | 35.3 | 19 |
| ANN-08-12 | 1/2"-14 | 3/4"-14 | 19.5 | 49 | 36 |

ANU SERIES

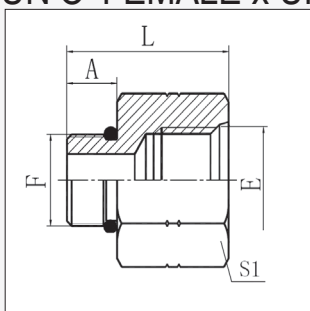
NPT FEMALE x UN'O' MALE STRAIGHT



| Product Code | Thread | | Dimensions mm | | |
|--------------|-----------|-------------|---------------|------|------|
| | E (NPT) | F (UNO) | W | L | AF |
| ANU-04-09 | 1/4" - 18 | 9/16" - 18 | 22.6 | 29.2 | 19.1 |
| ANU-08-14 | 1/2" - 14 | 7/8" - 14 | 23.4 | 39.3 | 28.6 |
| ANU-08-17 | 1/2" - 14 | 1.1/16" -12 | 23.4 | 38 | 31.8 |
| ANU-12-14 | 3/4" - 19 | 7/8" - 14 | 25.7 | 42.2 | 34.9 |

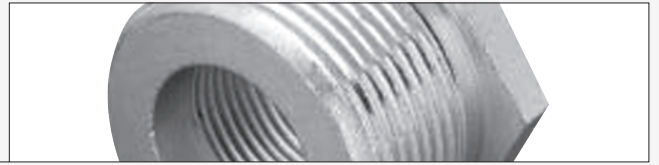
AUU SERIES

UN'O' FEMALE x UN'O' MALE STRAIGHT UNION

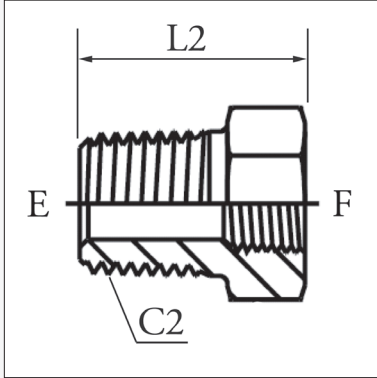


| Product Code | Thread | | Dimensions mm | | |
|--------------|--------------|--------------|---------------|------|------|
| | E (UNO) | F (UNO) | A | L | S1 |
| AUU-07-12 | 7/16" - 20 | 3/4" - 16 | 11.13 | 19.5 | 22 |
| AUU-09-07 | 9/16" - 18 | 7/16" - 20 | 9.14 | 31 | 22 |
| AUU-09-12 | 9/16" - 18 | 3/4" - 16 | 11.13 | 31.5 | 22 |
| AUU-09-14 | 9/16" - 18 | 7/8" - 14 | 12.7 | 20.6 | 27 |
| AUU-12-17 | 3/4" - 16 | 1.1/16" - 12 | 15.09 | 26 | 32 |
| AUU-17-26 | 1.1/16"-12 | 1.5/8"-12 | - | 26 | 47.6 |
| AUU-21-26 | 1.5/16" - 12 | 1.5/8" - 12 | 15.1 | 40 | 50 |

REDUCING BUSHES

**AQ** SERIES

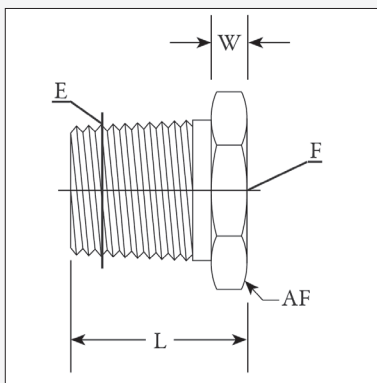
BSPT MALE x BSPT FEMALE REDUCER



| Product Code | Thread | | Dimensions mm | | | |
|--------------|-------------|-------------|---------------|------|--|--|
| | E (BSPT) | F (BSPT) | C2 | L2 | | |
| AQ-04-02 | 1/4" - 19 | 1/8" - 28 | 14 | 20.5 | | |
| AQ-06-02 | 3/8" - 19 | 1/8" - 28 | 19 | 21.6 | | |
| AQ-06-04 | 3/8" - 19 | 1/4" - 19 | 19 | 21.6 | | |
| AQ-08-04 | 1/2" - 14 | 1/4" - 19 | 22 | 28 | | |
| AQ-08-06 | 1/2" - 14 | 3/8" - 19 | 22 | 28 | | |
| AQ-12-04 | 3/4" - 14 | 1/4" - 19 | 29 | 29 | | |
| AQ-12-06 | 3/4" - 14 | 3/8" - 19 | 29 | 29 | | |
| AQ-12-08 | 3/4" - 14 | 1/2" - 14 | 29 | 29 | | |
| AQ-16-04 | 1" - 11 | 1/4" - 19 | 36 | 34 | | |
| AQ-16-06 | 1" - 11 | 3/8" - 19 | 35 | 34 | | |
| AQ-16-08 | 1" - 11 | 1/2" - 14 | 35 | 34 | | |
| AQ-16-12 | 1" - 11 | 3/4" - 14 | 35 | 34 | | |
| AQ-20-08 | 1.1/4" - 11 | 1/2" - 14 | 45 | 36.6 | | |
| AQ-20-12 | 1.1/4" - 11 | 3/4" - 14 | 45 | 37.6 | | |
| AQ-20-16 | 1.1/4" - 11 | 1" - 11 | 45 | 37.6 | | |
| AQ-24-12 | 1.1/2" - 11 | 3/4" - 14 | 50 | 39.6 | | |
| AQ-24-16 | 1.1/2" - 11 | 1" - 11 | 50 | 39.6 | | |
| AQ-24-20 | 1.1/2" - 11 | 1.1/4" - 11 | 50 | 39.6 | | |
| AQ-32-16 | 2" - 11 | 1" - 11 | 65 | 45 | | |
| AQ-32-20 | 2" - 11 | 1.1/4" - 11 | 65 | 45 | | |

AR SERIES

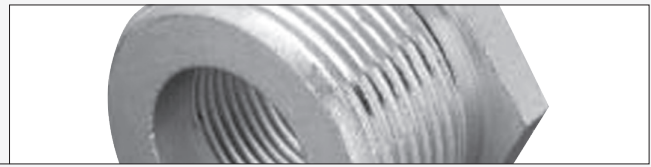
NPTF MALE x NPTF FEMALE REDUCER



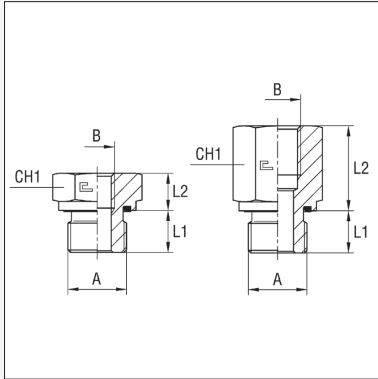
| Product Code | Thread | | Dimensions mm | | | |
|--------------|---------------|---------------|---------------|------|------|--|
| | E (NPT) | F (NPT) | L | W | AF | |
| AR-04-02 | 1/4" - 18 | 1/8" - 27 | 21.8 | 6.4 | 15.9 | |
| AR-06-02 | 3/8" - 18 | 1/8" - 27 | 21.8 | 6.4 | 19.1 | |
| AR-06-04 | 3/8" - 18 | 1/4" - 17 | 21.8 | 6.4 | 19.1 | |
| AR-08-02 | 1/2" - 14 | 1/8" - 27 | 28.2 | 7.9 | 22.2 | |
| AR-08-04 | 1/2" - 14 | 1/4" - 18 | 28.2 | 7.9 | 22.2 | |
| AR-08-06 | 1/2" - 14 | 3/8" - 18 | 28.2 | 7.9 | 22.2 | |
| AR-12-04 | 3/4" - 14 | 1/4" - 18 | 29.7 | 9.7 | 28.6 | |
| AR-12-06 | 3/4" - 14 | 3/8" - 18 | 29.7 | 9.7 | 28.6 | |
| AR-12-08 | 3/4" - 14 | 1/2" - 14 | 29.7 | 9.7 | 28.6 | |
| AR-16-06 | 1" - 11.5 | 3/8" - 18 | 34.5 | 9.7 | 34.9 | |
| AR-16-08 | 1" - 11.5 | 1/2" - 14 | 34.5 | 9.7 | 34.9 | |
| AR-16-12 | 1" - 11.5 | 3/4" - 14 | 34.5 | 9.7 | 34.9 | |
| AR-20-08 | 1.1/4" - 11.5 | 1/2" - 14 | 37.3 | 11.7 | 44.5 | |
| AR-20-12 | 1.1/4" - 11.5 | 3/4" - 14 | 37.3 | 11.7 | 44.5 | |
| AR-20-16 | 1.1/4" - 11.5 | 1" - 11.5 | 37.3 | 11.7 | 44.5 | |
| AR-24-16 | 1.1/2" - 11.5 | 1" - 11.5 | 39.9 | 13.5 | 50.8 | |
| AR-24-20 | 1.1/2" - 11.5 | 1.1/4" - 11.5 | 39.9 | 13.5 | 50.8 | |
| AR-32-16 | 2" - 11.5 | 1" - 11.5 | 44.5 | 17.3 | 63.5 | |
| AR-32-20 | 2" - 11.5 | 1.1/4" - 11.5 | 44.5 | 17.3 | 63.5 | |
| AR-32-24 | 2" - 11.5 | 1.1/2" - 11.5 | 44.5 | 17.3 | 63.5 | |

This page is part of a complete catalogue containing technical and safety data.
All data must be reviewed when selecting a product.
Pirtek reserve the right to change technical specifications without notice

REDUCING BUSHES



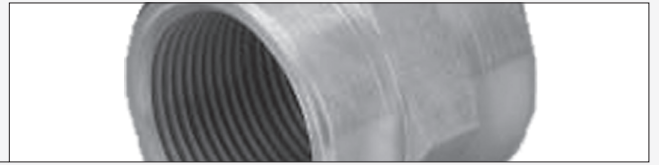
RI SERIES BSPP REDUCING ADAPTOR ELASTOMERIC SEAL



| Series | Max.W.P.bar | Product Code | A | B | L1 | L2 | CH1 |
|------------|-------------|--------------|-------|-------|----|------|-----|
| L / S | 630 | RI-02-04 | 1/8 | 1/4 | 8 | 23 | 19 |
| | | RI-02-06 † | 1/8 | 3/8 | 8 | 24 | 24 |
| | | RI-04-02 | 1/4 | 1/8 | 12 | 16 | 19 |
| | | RI-04-06 | 1/4 | 3/8 | 12 | 24 | 24 |
| | | RI-04-08 | 1/4 | 1/2 | 12 | 28 | 30 |
| | | RI-04-12 | 1/4 | 3/4 | 12 | 31 | 36 |
| | | RI-06-02 † | 3/8 | 1/8 | 12 | 10.5 | 22 |
| | | RI-06-04 | 3/8 | 1/4 | 12 | 24 | 22 |
| | 400 | RI-06-08 | 3/8 | 1/2 | 12 | 29 | 30 |
| | | RI-06-12 | 3/8 | 3/4 | 12 | 32 | 36 |
| | 630 | RI-08-02 † | 1/2 | 1/8 | 14 | 10 | 27 |
| | | RI-08-04 † | 1/2 | 1/4 | 14 | 10 | 27 |
| | | RI-08-06 | 1/2 | 3/8 | 14 | 22 | 27 |
| | 400 | RI-08-12 | 1/2 | 3/4 | 14 | 32 | 36 |
| | | RI-08-16 | 1/2 | 1 | 14 | 35 | 41 |
| | | RI-08-20 | 1/2 | 1.1/4 | 14 | 39 | 55 |
| RI-12-04 † | | 3/4 | 1/4 | 16 | 10 | 32 | |
| RI-12-06 † | | 3/4 | 3/8 | 16 | 10 | 32 | |
| RI-12-08 | | 3/4 | 1/2 | 16 | 26 | 32 | |
| 315 | RI-12-16 | 3/4 | 1 | 16 | 35 | 41 | |
| | RI-12-20 | 3/4 | 1.1/4 | 16 | 39 | 55 | |
| | RI-12-24 | 3/4 | 1.1/2 | 16 | 41 | 60 | |
| | 400 | RI-16-04 † | 1 | 1/4 | 18 | 11 | 41 |
| RI-16-06 † | | 1 | 3/8 | 18 | 11 | 41 | |
| RI-16-08 † | | 1 | 1/2 | 18 | 11 | 41 | |
| RI-16-12 | | 1 | 3/4 | 18 | 29 | 41 | |
| RI-16-20 | | 1 | 1.1/4 | 18 | 39 | 55 | |
| 315 | RI-16-24 | 1 | 1.1/2 | 18 | 41 | 60 | |
| 400 | RI-20-08 † | 1.1/4 | 1/2 | 20 | 12 | 50 | |
| | RI-20-12 † | 1.1/4 | 3/4 | 20 | 12 | 50 | |
| | RI-20-16 | 1.1/4 | 1 | 20 | 31 | 50 | |
| 315 | RI-20-24 | 1.1/4 | 1.1/2 | 20 | 40 | 60 | |
| | RI-24-08 † | 1.1/2 | 1/2 | 22 | 14 | 55 | |
| | RI-24-12 † | 1.1/2 | 3/4 | 22 | 14 | 55 | |
| | RI-24-16 † | 1.1/2 | 1 | 22 | 14 | 55 | |
| | | RI-24-20 | 1.1/2 | 1.1/4 | 22 | 46 | 50 |

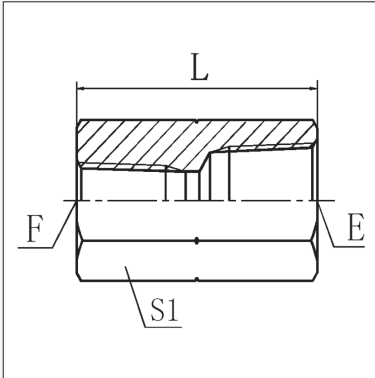
† Limited stock available

SOCKETS

**W** SERIES

BSPT FEMALE x BSPT FEMALE

† BSPP FEMALE x BSPP FEMALE

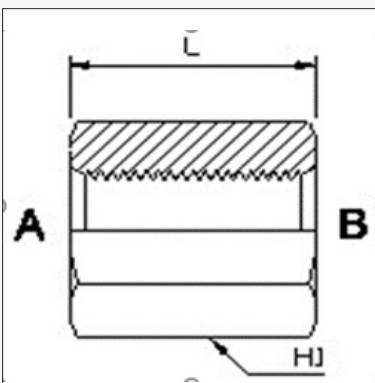


| Product Code | Thread | | Dimensions mm | | | |
|--------------|-------------|-------------|---------------|----|--|--|
| | E (BSPT) | F (BSPT) | L | S1 | | |
| W-02-02 | 1/8" - 28 | 1/8" - 28 | 20 | 14 | | |
| W-02-02P † | 1/8"-28 | 1/8"-28 | 20 | 14 | | |
| W-04-02 | 1/4" - 19 | 1/8" - 28 | 30 | 19 | | |
| W-04-04 | 1/4" - 19 | 1/4" - 19 | 30 | 19 | | |
| W-04-04P † | 1/4" - 19 | 1/4" - 19 | 30 | 19 | | |
| W-06-04 | 3/8" - 19 | 1/4" - 19 | 30 | 22 | | |
| W-06-06 | 3/8" - 19 | 3/8" - 19 | 30 | 22 | | |
| W-06-06P † | 3/8" - 19 | 3/8" - 19 | 30 | 22 | | |
| W-08-04 | 1/2"-14 | 1/4"-19 | 37 | 27 | | |
| W-08-06 | 1/2" - 14 | 3/8" - 19 | 40 | 27 | | |
| W-08-08 | 1/2" - 14 | 1/2" - 14 | 40 | 27 | | |
| W-08-08P † | 1/2" - 14 | 1/2" - 14 | 40 | 27 | | |
| W-12-08 | 3/4" - 14 | 1/2" - 14 | 42 | 36 | | |
| W-12-12 | 3/4" - 14 | 3/4" - 14 | 42 | 36 | | |
| W-12-12P † | 3/4" - 14 | 3/4" - 14 | 42 | 36 | | |
| W-16-12 | 1" - 11 | 3/4" - 14 | 50 | 41 | | |
| W-16-16 | 1" - 11 | 1" - 11 | 50 | 41 | | |
| W-16-16P † | 1" - 11 | 1" - 11 | 50 | 41 | | |
| W-20-16 | 1.1/4" - 11 | 1" - 11 | 52 | 50 | | |
| W-20-20 | 1.1/4" - 11 | 1.1/4" - 11 | 55 | 50 | | |
| W-20-20P † | 1.1/4" - 11 | 1.1/4" - 11 | 50 | 50 | | |
| W-24-24P † | 1.1/2" - 11 | 1.1/2" - 11 | 55 | 55 | | |

† BSPP threads at both ends

W_U SERIES

UNO FEMALE X UNO FEMALE



| Product Code | Thread | | Dimensionsmm | |
|--------------|------------|------------|--------------|------|
| | A (UNO) | B (UNO) | L | H1 |
| W-07-07U | 7/16"-20 | 7/16"-20 | 28.9 | 15.9 |
| W-09-09U | 9/16"-18 | 9/16"-18 | 29.5 | 20.6 |
| W-12-12U | 3/4"-16 | 3/4"-16 | 36 | 27 |
| W-14-14U | 7/8"-14 | 7/8"-14 | 40.6 | 28.6 |
| W-17-17U | 1.1/16"-12 | 1.1/16"-12 | 46.7 | 31.8 |

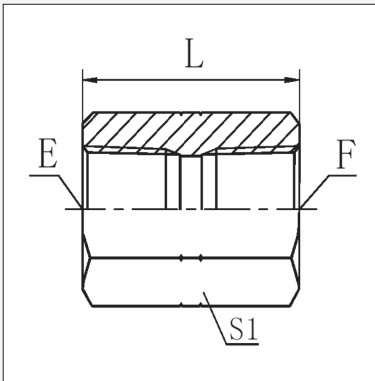
† BSPP threads at both ends

This page is part of a complete catalogue containing technical and safety data. All data must be reviewed when selecting a product.

Pirtek reserve the right to change technical specifications without notice

V / VHD SERIES

NPTF FEMALE x NPTF FEMALE



| Product Code | Thread | | Dimensions mm | | | |
|---|---------------|---------------|---------------|----|--|--|
| | E (NPT) | F (NPT) | L | S1 | | |
| V-02-02 | 1/8" - 27 | 1/8" - 27 | 24 | 17 | | |
| V-04-04 | 1/4" - 18 | 1/4" - 18 | 29 | 19 | | |
| V-06-06 | 3/8" - 18 | 3/8" - 18 | 29 | 22 | | |
| V-08-08 | 1/2" - 14 | 1/2" - 14 | 38 | 30 | | |
| V-12-12 | 3/4" - 14 | 3/4" - 14 | 39 | 36 | | |
| V-16-16 | 1" - 11.5 | 1" - 11.5 | 48 | 41 | | |
| V-20-20 | 1.1/4" - 11.5 | 1.1/4" - 11.5 | 49 | 50 | | |
| V-24-24 | 1.1/2" - 11.5 | 1.1/2" - 11.5 | 49 | 60 | | |
| V-32-32 | 2" - 11.5 | 2" - 11.5 | 50 | 70 | | |
| V-02-02 | 1/8" - 27 | 1/8" - 27 | 24 | 17 | | |
| V-04-04 | 1/4" - 18 | 1/4" - 18 | 29 | 19 | | |
| V-06-06 | 3/8" - 18 | 3/8" - 18 | 29 | 22 | | |
| V-08-08 | 1/2" - 14 | 1/2" - 14 | 38 | 30 | | |
| V-12-12 | 3/4" - 14 | 3/4" - 14 | 39 | 36 | | |
| V-16-16 | 1" - 11.5 | 1" - 11.5 | 48 | 41 | | |
| V-20-20 | 1.1/4" - 11.5 | 1.1/4" - 11.5 | 49 | 50 | | |
| V-24-24 | 1.1/2" - 11.5 | 1.1/2" - 11.5 | 49 | 60 | | |
| V-32-32 | 2" - 11.5 | 2" - 11.5 | 50 | 70 | | |
| HEAVY DUTY 10,000 PSI (700 BAR) HIGH PRESSURE SERIES | | | | | | |
| VHD-04-04 | 1/4" - 18 | 1/4" - 18 | 29 | 19 | | |
| VHD-06-04 | 3/8" - 18 | 1/4" - 18 | 29 | 24 | | |
| VHD-06-06 | 3/8" - 18 | 3/8" - 18 | 29 | 24 | | |



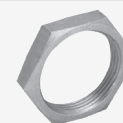
SECTION 13 FLANGE FITTINGS

PAGE

| | | | |
|----------------------|--------------------------------|-------|--------------------|
| AF3 / AF6 | CODE 61/62 UNCUT SPLIT FLANGES | - | D 85 |
| AFTF6 | CODE 62 TAPERED FLANGE CLAMP | - | D 85 |
| AXP3/AXP6 | CODE 61 & 62 BLANKING PLUGS | - | D 85 / D 86 |
| AX3 | CODE 61 'BLIND' FLANGES | - | D 86 |
| AX6 | CODE 62 'BLIND' FLANGES | - | D 86 |
| AZ3 | CODE 61 SPLIT FLANGE CLAMPS | - | D 86 |
| AZ6 | CODE 62 SPLIT FLANGE CLAMPS | - | D 87 |
| AZLT | LETOURNEAU SPLIT FLANGE CLAMPS | - | D 87 |
| BFS | CODE 61 FLANGE THREADED BSPP | - / F | D 87 |
| BFH | CODE 62 FLANGE THREADED BSPP | - / F | D 87 |
| C611JM-C629JM | CODE FLANGES x JIC MALE | - / M | D 88 - D 89 |
| C62JM9 | CODE 62 x JIC MALE 90° FORGED | - / M | D 90 |
| C62IPM | CODE 62 x BSPP MALE | | D 90 |



SECTION 14 SEALS & ACCESSORIES



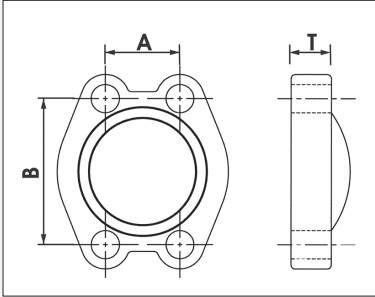
| | | | |
|---------------------|--|---|-------------|
| ED/ED-V | ELASTOMER SEAL ENCAPULATED BSPP & METRIC | - | D 91 |
| FF3030 | O-RINGS - ORFS | - | D 87 |
| OKS | O-RINGS - SAE FLANGE (POLY) | - | D 93 |
| KY | O-RINGS KOMATSU® FLANGE | - | D 93 |
| X | UN-'O' RING (SAE O-RING BOSS) | - | D 94 |
| Y / YD / YEH | O-RINGS - SAE FLANGE (NITRILE) | - | D 94 |
| Q | BONDED SEAL - METRIC | - | D 95 |
| Z | BONDED SEAL - BSPP | - | D 95 |
| FF1332 | ORFS LOCK NUT | - | D 96 |
| CW | SAE CODE 62 / SUPERCAT SPACER | - | D 96 |
| LNB | LOCKING NUT BSPP | - | D 97 |
| LNJ | LOCKING NUT JIC / UNO | - | D 97 |
| RRB | RETAINING RING BSPP | - | D 98 |
| RROB | O-RING SUIT RRB RETAINING RING | - | D 98 |

FLANGE FITTINGS



AF3 SERIES

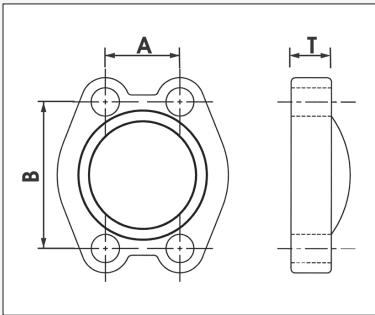
CODE 61 UNCUT FLANGE CLAMP (3,000 PSI)



| Product Code | Flange Size | Maximum W.P. bar | Dimensions mm | | | Bolt Size | |
|--------------|-------------|------------------|---------------|-------|----|-----------|--------------|
| | | | A | B | T | Metric | UNC |
| AF3-12 | 3/4" | 345 | 22.23 | 47.63 | 14 | M10 x 30 | 3/8" - 1.5 |
| AF3-16 | 1" | 345 | 26.19 | 52.37 | 16 | M10 x 30 | 3/8" - 1.5 |
| AF3-20 | 1.1/4" | 276 | 30.18 | 58.72 | 14 | M10 x 30 | 7/16" - 1.75 |
| AF3-24 | 1.1/2" | 207 | 35.71 | 69.85 | 16 | M12 x 35 | 1/2" - 1.75 |
| AF3-32 | 2" | 207 | 42.88 | 77.77 | 16 | M12 x 35 | 1/2" - 1.75 |
| AF3-40 | 2.1/2" | 172 | 50.8 | 88.90 | 19 | M12 x 40 | 1/2" - 1.75 |
| AF3-48 | 3" | 138 | 61.93 | 106.4 | 22 | M16 x 50 | 5/8" - 2 |

AF6 SERIES & AFBS6

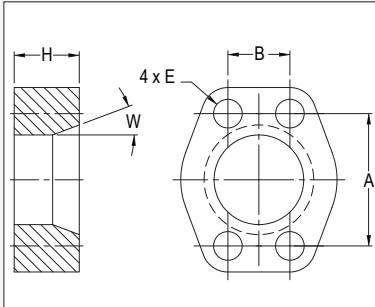
CODE 62 UNCUT FLANGE CLAMP (6,000 PSI)



| Product Code | Flange Size | Maximum W.P. bar | Dimensions mm | | | Bolt Size | |
|--------------|-------------|------------------|---------------|-------|----|-----------|--------------|
| | | | A | B | T | Metric | UNC |
| AF6-12 | 3/4" | 420 | 23.80 | 50.80 | 19 | M10 x 35 | 3/8" - 1.5 |
| AF6-16 | 1" | 420 | 27.76 | 57.15 | 24 | M12 x 45 | 7/16" - 1.75 |
| AF6-20 | 1.1/4" | 420 | 31.75 | 66.68 | 27 | M12 x 45 | 1/2" - 1.75 |
| AF6-24 | 1.1/2" | 420 | 36.50 | 79.38 | 30 | M16 x 55 | 5/8" - 11 |
| AF6-32 | 2" | 420 | 44.45 | 96.82 | 37 | M20 x 70 | 3/4" - 10 |
| AFBS6-32 | 2" | 420 | 44.45 | 96.82 | 37 | M20 x 70 | 3/4" - 10 |

AFTF6 SERIES

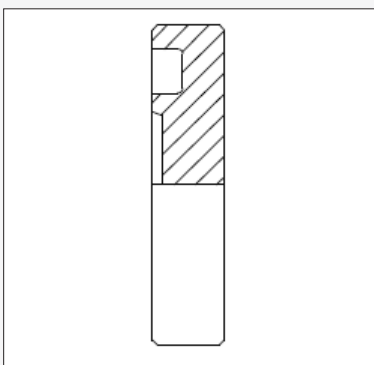
CODE 62 UNCUT TAPERED FLANGE CLAMP (6,000 PSI)



| Product Code | Flange Size | Maximum W.P. bar | Dimensions mm | | | Bolt Size E | |
|--------------|-------------|------------------|---------------|-------|----|-------------|-----------|
| | | | A | B | H | Metric | UNC |
| AFTF6-32 | 2" | 420 | 44.45 | 96.82 | 50 | M20 x 100 | 3/4" - 10 |

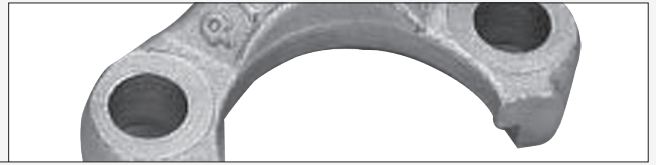
AXP3 SERIES

CODE 61 FLANGE BLANKING PLUG (3,000 PSI) DISC c/w O-Ring

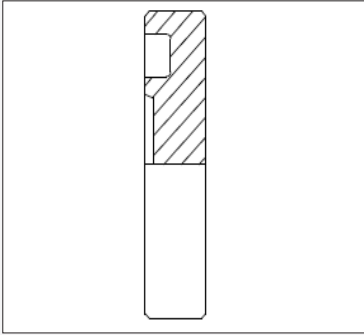


| Product Code | Flange Size | Maximum W.P. Bar | Dimensions mm | |
|--------------|-------------|------------------|---------------|--------------|
| | | | A (Height) | B (Diameter) |
| AXP3-08 | 1/2" | 345 | 6.73 | 30.18 |
| AXP3-12 | 3/4" | 345 | 6.73 | 38.10 |
| AXP3-16 | 1" | 345 | 8.00 | 44.45 |
| AXP3-20 | 1 1/4" | 276 | 8.00 | 50.80 |
| AXP3-24 | 1 1/2" | 207 | 8.00 | 60.33 |
| AXP3-32 | 2" | 207 | 9.53 | 71.42 |
| AXP3-40 | 2 1/2" | 172 | 9.53 | 84.12 |
| AXP3-48 | 3" | 138 | 9.53 | 101.60 |

FLANGE FITTINGS

**AXP6** SERIES

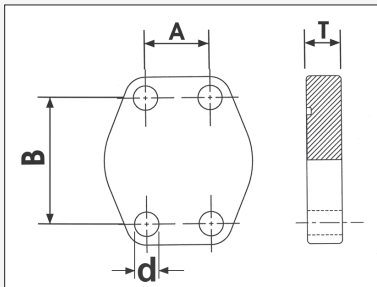
CODE 62 FLANGE BLANKING PLUG (6,000 PSI) DISC c/w O-Ring



| Product Code | Flange Size | Maximum W.P. Bar | Dimensions mm | |
|--------------|-------------|------------------|---------------|--------------|
| | | | A (Height) | B (Diameter) |
| AXP6-12 | 3/4" | 414 | 8.76 | 41.28 |
| AXP6-16 | 1" | 414 | 9.53 | 47.63 |
| AXP6-20 | 1.1/4" | 414 | 10.29 | 53.98 |
| AXP6-24 | 1.1/2" | 414 | 12.57 | 63.50 |
| AXP6-32 | 2" | 414 | 12.57 | 79.38 |

AX3 SERIES

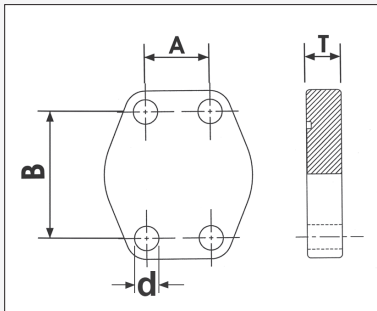
CODE 61 'BLIND' FLANGE (3,000 PSI)



| Product Code | Flange Size | Maximum W.P. bar | Dimensions mm | | | | Bolt Size | |
|--------------|-------------|------------------|---------------|-------|------|----|-----------|------------|
| | | | A | B | d | T | Metric | UNC |
| AX3-12 | 3/4" | 345 | 22.23 | 47.63 | 11 | 16 | M10 x 30 | 3/8" - 16 |
| AX3-16 | 1" | 345 | 26.19 | 52.37 | 11 | 19 | M10 x 30 | 3/8" - 16 |
| AX3-20 | 1.1/4" | 276 | 30.18 | 58.72 | 12 | 19 | M10 x 30 | 7/16" - 14 |
| AX3-24 | 1.1/2" | 207 | 35.71 | 69.85 | 13.5 | 20 | M12 x 35 | 1/2" - 13 |
| AX3-32 | 2" | 207 | 42.88 | 77.77 | 13.5 | 20 | M12 x 35 | 1/2" - 13 |
| AX3-40 | 2.1/2" | 172 | 50.8 | 88.90 | 13.5 | 20 | M12 x 40 | 1/2" - 13 |
| AX3-48 | 3" | 138 | 61.93 | 106.4 | 17.5 | 24 | M16 x 50 | 5/8" - 11 |

AX6 SERIES

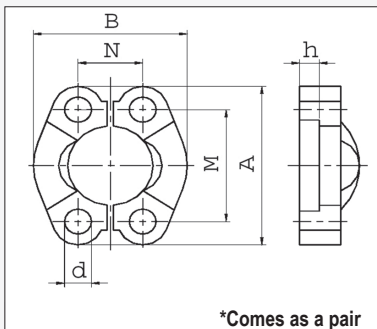
CODE 62 'BLIND' FLANGE (6,000 PSI)



| Product Code | Flange Size | Maximum W.P. bar | Dimensions mm | | | | Bolt Size | |
|--------------|-------------|------------------|---------------|-------|----|----|-----------|------------|
| | | | A | B | d | T | Metric | UNC |
| AX6-12 | 3/4" | 414 | 23.80 | 50.80 | 11 | 19 | M10 x 35 | 3/8" - 16 |
| AX6-16 | 1" | 414 | 27.76 | 57.15 | 13 | 24 | M12 x 45 | 7/16" - 14 |
| AX6-20 | 1.1/4" | 414 | 31.75 | 66.68 | 15 | 27 | M12 x 45 | 1/2" - 13 |
| AX6-24 | 1.1/2" | 414 | 36.50 | 79.38 | 17 | 30 | M16 x 55 | 5/8" - 11 |
| AX6-32 | 2" | 414 | 44.45 | 96.82 | 21 | 28 | M20 x 70 | 3/4" - 10 |

AZ3 SERIES

CODE 61 SPLIT FLANGE (3,000 PSI)



*Comes as a pair

| Product Code | Flange Size | Maximum W.P. bar | Dimensions mm | | | | | | Bolt Size | |
|--------------|-------------|------------------|---------------|-------|-------|------|------|------|-----------|------------|
| | | | A | B | M | N | h | d | Metric | UNC |
| AZ3-08 | 1/2" | 345 | 53.8 | 46.1 | 38.1 | 17.5 | 6.2 | 9 | M8 x 25 | 5/16" - 18 |
| AZ3-10 | 5/8" | 345 | 22.8 | 47.6 | 42.9 | 19.8 | 6.2 | 9 | M8 x 35 | 5/16" - 18 |
| AZ3-12 | 3/4" | 345 | 65 | 52.4 | 47.6 | 22.2 | 6.2 | 11 | M10 x 30 | 3/8" - 16 |
| AZ3-16 | 1" | 345 | 69.9 | 58.7 | 52.4 | 26.2 | 7.5 | 11 | M10 x 30 | 3/8" - 16 |
| AZ3-20 | 1.1/4" | 276 | 79.2 | 73 | 58.7 | 30.2 | 7.5 | 12 | M10 x 30 | 7/16" - 14 |
| AZ3-24 | 1.1/2" | 207 | 93.7 | 82.6 | 69.9 | 35.7 | 7.5 | 13.5 | M12 x 35 | 1/2" - 13 |
| AZ3-32 | 2" | 207 | 101.6 | 96.8 | 77.8 | 42.9 | 9 | 13.5 | M12 x 35 | 1/2" - 13 |
| AZ3-40 | 2.1/2" | 172 | 114 | 108 | 88.9 | 50.8 | 9 | 13.5 | M12 x 40 | 1/2" - 13 |
| AZ3-48 | 3" | 138 | 135 | 130.6 | 106.4 | 61.9 | 9 | 17.5 | M16 x 50 | 5/8" - 11 |
| AZ3-56 | 3.1/2" | 35 | 152 | 139.2 | 120.7 | 69.8 | 10.7 | 17.5 | M16 x 50 | 5/8" - 11 |
| AZ3-64 | 4" | 35 | 161 | 149.8 | 130.3 | 76.8 | 10.7 | 16.8 | M16 x 50 | 5/8" - 11 |

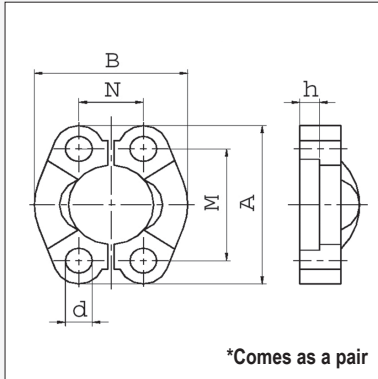
This page is part of a complete catalogue containing technical and safety data.
All data must be reviewed when selecting a product.
Pirtek reserve the right to change technical specifications without notice

FLANGE FITTINGS



AZ6 SERIES

CODE 62 SPLIT FLANGE (6,000 PSI)



| Product Code | Flange Size | Maximum W.P. bar | Dimensions mm | | | | | | Bolt Size | |
|--------------|-------------|------------------|---------------|-------|------|------|-----|----|-----------|------------|
| | | | A | B | M | N | h | d | Metric | UNC |
| AZ6-08 | 1/2" | 414 | 56.3 | 49.2 | 40.5 | 18.2 | 7.2 | 9 | M8 x 30 | 5/16" - 18 |
| AZ6-12 | 3/4" | 414 | 71.4 | 61.8 | 50.8 | 23.8 | 8.3 | 11 | M10 x 35 | 3/8" - 16 |
| AZ6-16 | 1" | 414 | 81 | 71.4 | 57.2 | 27.8 | 9 | 13 | M12 x 45 | 7/16" - 14 |
| AZ6-20 | 1.1/4" | 414 | 95.3 | 79.2 | 66.6 | 31.8 | 9.8 | 15 | M12 x 45 | 1/2" - 13 |
| AZ6-24 | 1.1/2" | 414 | 112.8 | 96.8 | 79.3 | 36.6 | 12 | 17 | M16 x 55 | 5/8" - 11 |
| AZ6-32 | 2" | 414 | 133.4 | 115.6 | 96.8 | 44.4 | 12 | 21 | M20 x 70 | 3/4" - 10 |

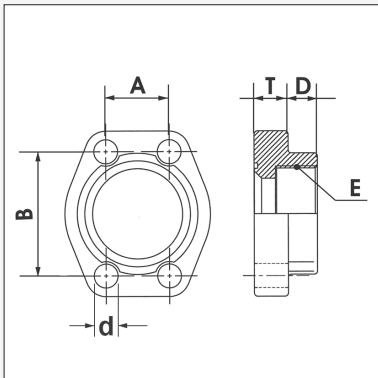
AZLT SERIES

Letourneau SPLIT FLANGE

| Product Code | Flange Size | Dimensions mm | | | | | | Bolt Size | |
|--------------|-------------|---------------|------|------|------|----|------|-----------|-------|
| | | A | B | M | N | h | d | Metric | UNC |
| AZLT-24 | 1.1/2" | 94 | 82.2 | 69.8 | 35.7 | 10 | 13.3 | M12 | 7/16" |

BFS SERIES

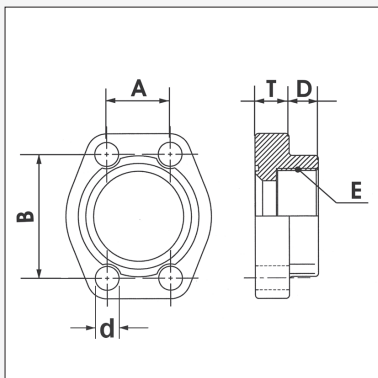
CODE 61 BSPP THREADED FLANGE (3,000 PSI)



| Product Code | Nominal Flange Size | Thread'E' BSPP | Maximum W.P. bar | Dimensions mm | | | | | Bolt Size | |
|--------------|---------------------|----------------|------------------|---------------|-------|------|----|----|-----------|------------|
| | | | | A | B | d | T | D | Metric | UNC |
| BFS-08 | 1/2" | 1/2" - 14 | 345 | 17.48 | 38.1 | 9 | 16 | 20 | M8 x 25 | 5/16" - 18 |
| BFS-12 | 3/4" | 3/4" - 14 | 345 | 22.23 | 47.63 | 11 | 18 | 18 | M10 x 30 | 3/8" - 16 |
| BFS-16 | 1" | 1" - 11 | 345 | 26.19 | 52.37 | 11 | 18 | 20 | M10 x 30 | 3/8" - 16 |
| BFS-20 | 1.1/4" | 1.1/4" - 11 | 276 | 30.18 | 58.72 | 12 | 21 | 20 | M10 x 30 | 7/16" - 14 |
| BFS-24 | 1.1/2" | 1.1/2" - 11 | 207 | 35.71 | 69.85 | 13.5 | 25 | 20 | M12 x 35 | 1/2" - 13 |
| BFS-32 | 2" | 2" - 11 | 207 | 42.88 | 77.77 | 13.5 | 25 | 20 | M12 x 35 | 1/2" - 13 |

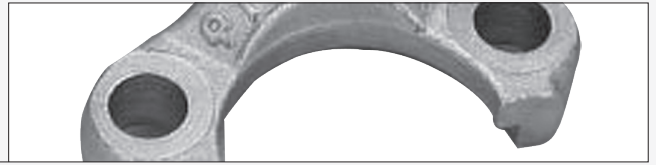
BFH SERIES

CODE 62 BSPP THREADED FLANGE (6,000 PSI)

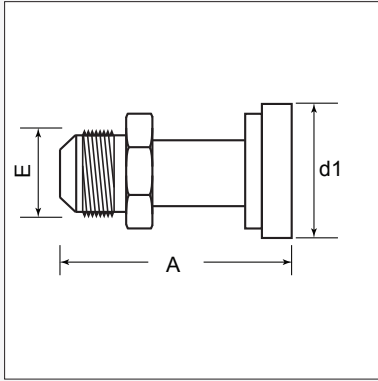


| Product Code | Nominal Flange Size | Thread'E' BSPP | Maximum W.P. bar | Dimensions mm | | | | | Bolt Size | |
|--------------|---------------------|----------------|------------------|---------------|-------|----|----|----|-----------|------------|
| | | | | A | B | d | T | D | Metric | UNC |
| BFH-12 | 3/4" | 3/4" - 14 | 414 | 23.80 | 50.80 | 11 | 21 | 14 | M10 - 35 | 3/8" - 16 |
| BFH-16 | 1" | 1" - 11 | 414 | 27.76 | 57.15 | 13 | 25 | 17 | M12 - 45 | 7/16" - 14 |
| BFH-20 | 1.1/4" | 1.1/4" - 11 | 414 | 31.75 | 66.68 | 15 | 27 | 18 | M12 - 45 | 1/2" - 13 |
| BFH-24 | 1.1/2" | 1.1/2" - 11 | 414 | 36.50 | 79.38 | 17 | 30 | 20 | M16 - 55 | 5/8" - 11 |
| BFH-32 | 2" | 2" - 11 | 414 | 44.45 | 96.82 | 21 | 37 | 28 | M20 - 70 | 3/4" - 10 |

FLANGE FITTINGS

**C611JM** SERIES

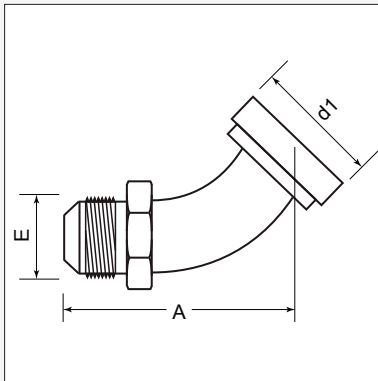
CODE 61 FLANGE x JIC MALE STRAIGHT ADAPTOR



| Product Code | Flange Size | JIC Thread E | Dimensions mm | | | | | | |
|--------------|-------------|--------------|---------------|------|--|--|--|--|--|
| | | | A | d1 | | | | | |
| C611JM-1217 | 3/4" | 1.1/16" - 12 | 70.0 | 38.1 | | | | | |
| C611JM-1617 | 1" | 1.1/16" - 12 | 71.7 | 44.5 | | | | | |
| C611JM-1621 | 1" | 1.5/16" - 12 | 71.7 | 44.5 | | | | | |
| C611JM-2021 | 1.1/4" | 1.5/16" - 12 | 72.0 | 50.8 | | | | | |
| C611JM-2026 | 1.1/4" | 1.5/8" - 12 | 71.0 | 50.8 | | | | | |

C614JM SERIES

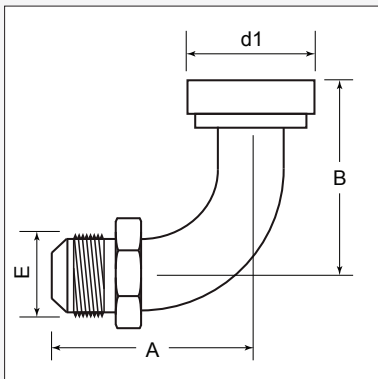
CODE 61 FLANGE x JIC MALE 45° ADAPTOR



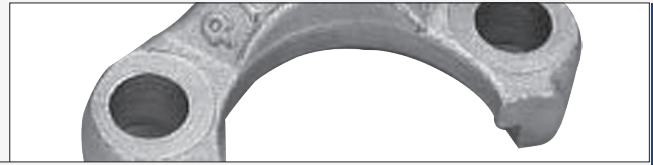
| Product Code | Flange Size | JIC Thread E | Dimensions mm | | | | | | |
|--------------|-------------|--------------|---------------|------|--|--|--|--|--|
| | | | A | d1 | | | | | |
| C614JM-1217 | 3/4" | 1.1/16" - 12 | 76.7 | 38.1 | | | | | |
| C614JM-1617 | 1" | 1.1/16" - 12 | 76.8 | 44.5 | | | | | |
| C614JM-1621 | 1" | 1.5/16" - 12 | 90.2 | 44.5 | | | | | |
| C614JM-2021 | 1.1/4" | 1.5/16" - 12 | 91.5 | 50.8 | | | | | |
| C614JM-2026 | 1.1/4" | 1.5/8" - 12 | 105.8 | 50.8 | | | | | |
| C614JM-2430 | 1.1/2" | 1.7/8" - 12 | 125.4 | 60.4 | | | | | |

C619JM SERIES

CODE 61 FLANGE x JIC MALE 90° ADAPTOR

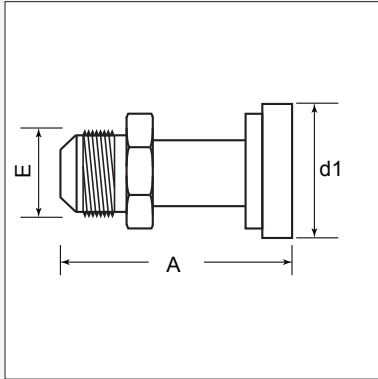


| Product Code | Flange Size | JIC Thread E | Dimensions mm | | | | | | |
|--------------|-------------|--------------|---------------|------|------|--|--|--|--|
| | | | A | d1 | B | | | | |
| C619JM-1217 | 3/4" | 1.1/16" - 12 | 76.4 | 38.1 | 47.7 | | | | |
| C619JM-1617 | 1" | 1.1/16" - 12 | 72.1 | 44.5 | 47.5 | | | | |
| C619JM-1621 | 1" | 1.5/16" - 12 | 80.5 | 44.5 | 61.9 | | | | |
| C619JM-2021 | 1.1/4" | 1.5/16" - 12 | 86.7 | 50.8 | 64.8 | | | | |
| C619JM-2026 | 1.1/4" | 1.5/8" - 12 | 97.5 | 50.8 | 70.3 | | | | |
| C619JM-2421 | 1.1/2" | 1.5/16" - 12 | 89.4 | 60.4 | 65.9 | | | | |



C621JM SERIES

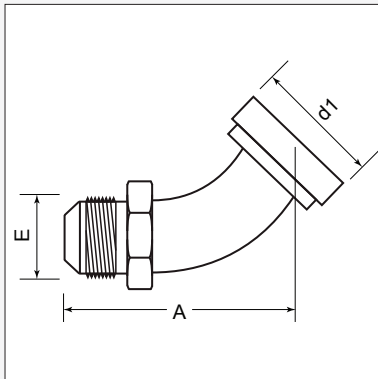
CODE 62 FLANGE x JIC MALE STRAIGHT ADAPTOR



| Product Code | Flange Size | JICThread E | Dimensions mm | |
|--------------|-------------|--------------|---------------|------|
| | | | A | d1 |
| C621JM-1217 | 3/4" | 1.1/16" - 12 | 69.6 | 41.4 |
| C621JM-1617 | 1" | 1.1/16" - 12 | 71.7 | 47.8 |
| C621JM-1621 | 1" | 1.5/16" - 12 | 72.0 | 47.8 |
| C621JM-2021 | 1.1/4" | 1.5/16" - 12 | 78.2 | 54.1 |
| C621JM-2026 | 1.1/4" | 1.5/8" - 12 | 77.1 | 54.1 |

C624JM SERIES

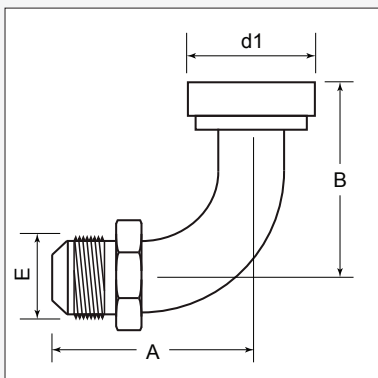
CODE 62 FLANGE x JIC MALE 45° ADAPTOR



| Product Code | Flange Size | JICThread E | Dimensions mm | |
|--------------|-------------|--------------|---------------|------|
| | | | A | d1 |
| C624JM-1217 | 3/4" | 1.1/16" - 12 | 76.3 | 41.4 |
| C624JM-1617 | 1" | 1.1/16" - 12 | 75.6 | 47.8 |
| C624JM-1621 | 1" | 1.5/16" - 12 | 83.8 | 47.8 |
| C624JM-2021 | 1.1/4" | 1.5/16" - 12 | 93.0 | 54.1 |
| C624JM-2026 | 1.1/4" | 1.5/8" - 12 | 117.3 | 63.5 |

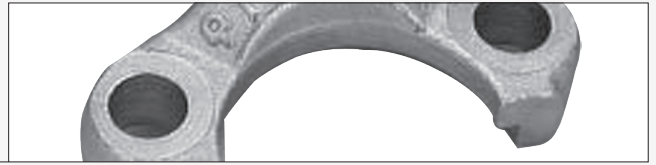
C629JM SERIES

CODE 62 FLANGE x JIC MALE 90° ADAPTOR

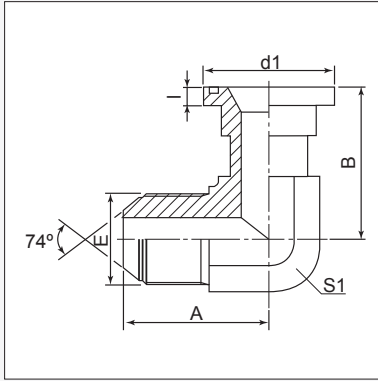


| Product Code | Flange Size | JICThread E | Dimensions mm | | |
|--------------|-------------|--------------|---------------|------|------|
| | | | A | d1 | B |
| C629JM-1212 | 3/4" | 3/4" - 16 | 52.9 | 41.4 | 49.4 |
| C629JM-1217 | 3/4" | 1.1/16" - 12 | 67.5 | 41.4 | 54.2 |
| C629JM-1221 | 3/4" | 1.5/16" - 12 | 84.3 | 41.4 | 64.2 |
| C629JM-1617 | 1" | 1.1/16" - 12 | 71.6 | 47.8 | 60.1 |
| C629JM-1621 | 1" | 1.5/16" - 12 | 82.0 | 47.8 | 70.0 |
| C629JM-2021 | 1.1/4" | 1.5/16" - 12 | 84.2 | 54.1 | 71.9 |
| C629JM-2026 | 1.1/4" | 1.5/8" - 12 | 101.0 | 54.1 | 88.0 |
| C629JM-2430 | 1.1/2" | 1.7/8"-12 | 116 | 63.5 | 109 |

FLANGE FITTINGS

**C62JM9** SERIES

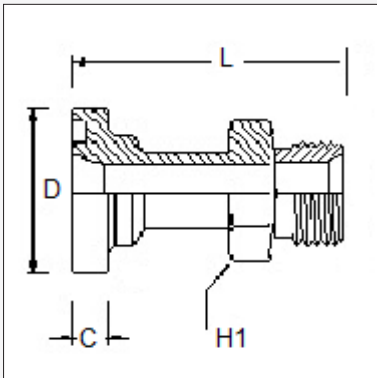
CODE 62 FLANGE x JIC MALE 90° FORGED BODY



| Product Code | Flange Size | JIC Thread | Dimensions mm | | | | | | W.P. bar |
|--------------|-------------|--------------|---------------|------|------|------|----|--|----------|
| | | | A | B | I | d1 | S1 | | |
| C62JM9-1621 | 1" | 1.5/16" - 12 | 49 | 60.2 | 9.53 | 47.6 | 33 | | 414 |

C621PM SERIES

CODE 62 FLANGE x BSPP MALE STRAIGHT ADAPTOR

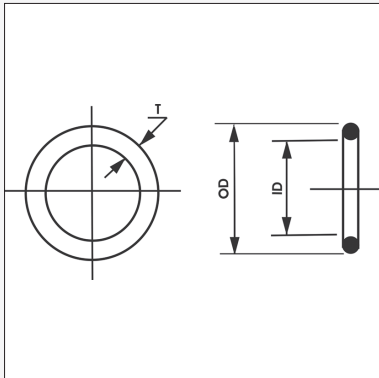


| Product Code | Flange Size | BSPP Thread | Dimensions mm | | | |
|---------------|-------------|-------------|---------------|------|----|----|
| | | | C | D | L | H1 |
| C621PM - 3224 | 2" | 1.1/2" - 11 | 12.6 | 79.4 | 95 | 69 |

BO SERIES

O-RINGS TO SUIT BF1HD HOSE TAILS

Material: 90 Durometer Buna N **Temperature Range:** -34°C to +120°C



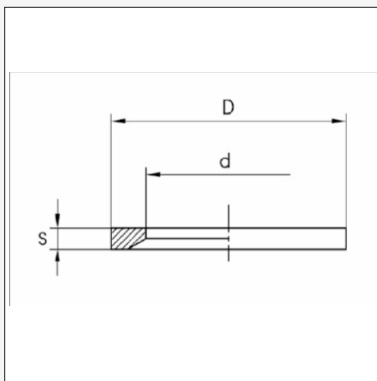
| Product Code | Dash Size | SuitBF1HD | Dimensions mm | | |
|--------------|-----------|-------------|---------------|------|-----|
| | | | OD | ID | T |
| BO-12 | 12 | BF1HD-1212J | 19.9 | 16.7 | 1.6 |
| BO-16 | 16 | BF1HD-1616J | 25.3 | 22.1 | 1.6 |
| BO-20 | 20 | BF1HD-2020J | 32.3 | 29.1 | 1.6 |

ELASTOMER SEAL DIN 3869

SUITS BSP PARALLEL & METRIC PARALLEL ENCAPSULATED THREADS

ED = NBR 85 DuroA Temperature range: -30°C to 100°C

ED-V = Viton®(FKM) 80 DuroA Temperature range: -20°C to 200°C

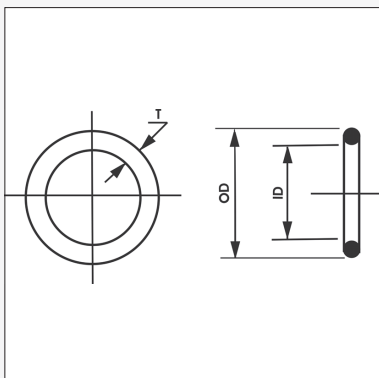


| Product Code | | Interchange | Dimensions (mm) | | | | |
|---------------|-----------------|-------------|-----------------|-------|------|------|-----|
| NBR | Viton® | | Metric | BSP | D | d | s |
| ED-02/10M | | * | 10X1 | 1/8 | 11.9 | 8.4 | 1 |
| ED-04/14M | ED-V-04/14M | * | 14X1.5 | 1/4 | 16.5 | 11.6 | 1.5 |
| ED-06 | ED-V-06 | | | 3/8 | 18.9 | 14.7 | 1.5 |
| ED-08 | ED-V-08 | | | 1/2 | 23.9 | 18.5 | 1.5 |
| ED-08M | | | 8X1 | | 9.9 | 6.5 | 1 |
| ED-12/26M/27M | ED-V-12/26M/27M | * | 26X1.5 - 27X2 | 3/4 | 29.2 | 23.9 | 1.5 |
| ED-12M | | | 12X1.5 | | 14.4 | 9.8 | 1.5 |
| ED-16/33M | ED-V-16/33M | * | 33X2 | 1 | 35.7 | 29.7 | 2 |
| ED-16M | | | 16X1.5 | | 18.9 | 13.8 | 1.5 |
| ED-18M | | | 18X1.5 | | 20.9 | 15.7 | 1.5 |
| ED-20/42M | ED-V-20/42M | * | 42X2 | 1.1/4 | 45.8 | 38.8 | 2 |
| ED-20M | | | 20X1.5 | | 22.9 | 17.8 | 1.5 |
| ED-22M | | | 22X1.5 | | 24.3 | 19.6 | 1.5 |
| ED-24/48M | ED-V-24/48M | * | 48X2 | 1.1/2 | 50.7 | 44.7 | 2 |
| ED-32 | | | | 2 | 66.1 | 56.5 | 4 |

FF3030 SERIES

O-RINGS TO SUIT ORFS ADAPTORS

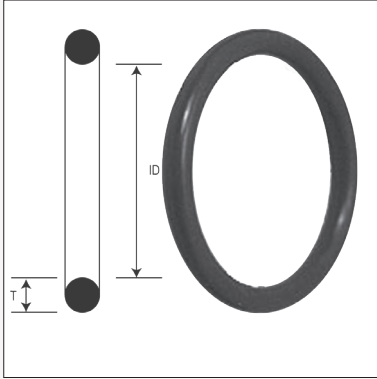
Material: 90 Durometer Buna N **Temperature Range:** -34°C to +120°C



| Product Code | Dash Size | Suit ORFS | Dimensions mm | | |
|--------------|-----------|---------------|---------------|-------|------|
| | | | OD | ID | T |
| FF3030-11 | 04 | 9/16" - 18 | 11.20 | 7.65 | 1.78 |
| FF3030-12 | 06 | 11/16" -16 | 12.80 | 9.25 | 1.78 |
| FF3030-14 | 08 | 13/16" - 16 | 15.98 | 12.42 | 1.78 |
| FF3030-16 | 10 | 1" - 14 | 19.16 | 15.60 | 1.78 |
| FF3030-18 | 12 | 1.3/16" - 12 | 22.33 | 18.77 | 1.78 |
| FF3030-21 | 16 | 1.7/16" - 12 | 27.08 | 23.52 | 1.78 |
| FF3030-25 | 20 | 1.11/16" - 12 | 33.43 | 29.87 | 1.78 |
| FF3030-29 | 24 | 2" - 12 | 41.38 | 37.82 | 1.78 |



O-RING DATA

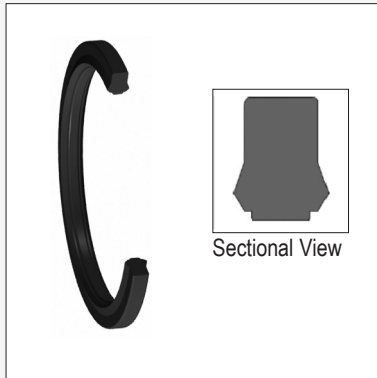


| O-RING DETAILS FOR LIGHT & HEAVY METRIC HOSE TAILS - 70 DURO NBR | | | | | |
|--|---------------|--------------------|--------------|----------------|---|
| PRODUCT CODE | METRIC SERIES | METRIC THREAD SIZE | | TUBE O.D. (MM) | DIMENSIONS (MM) I.D. X THICKNESS (T) |
| | | LIGHT SERIES | HEAVY SERIES | | |
| DKOR-06L/S | DKL / DKS | M12X1.5 | M14X1.5 | 6 | 4 X 1.5 |
| DKOR-08L/S | DKL / DKS | M14X1.5 | M16X1.5 | 8 | 6 X 1.5 |
| DKOR-10L/S | DKL / DKS | M16X1.5 | M18X1.5 | 10 | 7.5 X 1.5 |
| DKOR-12L/S | DKL / DKS | M18X1.5 | M20X1.5 | 12 | 9 X 1.5 |
| DKOR-14S | DKS | - | M22X1.5 | 14 | 10 X 2 |
| DKOR-15L/16S | DKL / DKS | M22X1.5 | M24X1.5 | 15 /16 | 12 X 2 |
| DKOR-18L | DKL | M26X1.5 | - | 18 | 15 X 2 |
| DKOR-20S | DKS | - | M30X2 | 20 | 16.3 X 2.4 |
| DKOR-22L | DKL | M30X2 | - | 22 | 20 X 2 |
| DKOR-25S | DKS | - | M36X2 | 25 | 20.3 X 2.4 |
| DKOR-28L | DKL | M36X2 | - | 28 | 26 X 2 |
| DKOR-30S | DKS | - | M42X2 | 30 | 25.3 X 2.4 |
| DKOR-35L | DKL | M45X2 | - | 35 | 32 X 2.5 |
| DKOR-38S | DKS | - | M52X2 | 38 | 33.3 X 2.4 |
| DKOR-42L | DKL | M52X2 | - | 42 | 38 X 2.5 |

OKS SERIES

HIGH PERFORMANCE SEALS TO SUIT SAE FLANGE FITTINGS

Material: Blue 93 Duro Polyester Polyurethane (AU) Temperature range -30°C to 100°C



| Product Code | Dash Size | Dimensions mm | | | |
|--------------|-----------|---------------|-------|------|--|
| | | OD | ID | T | |
| OKS-12 | 12 | 31.75 | 23.37 | 3.50 | |
| OKS-16 | 16 | 39.62 | 31.24 | 3.50 | |
| OKS-20 | 20 | 44.45 | 36.07 | 3.50 | |
| OKS-24 | 24 | 53.98 | 45.34 | 3.50 | |
| OKS-32 | 32 | 63.5 | 54.86 | 3.50 | |

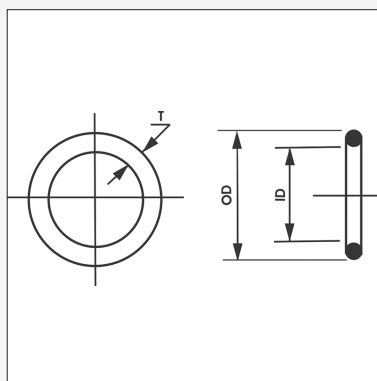
FEATURES:

- A general purpose compound suitable for applications requiring resistance to high temperatures and compression set
- Recommended for use in SAE flanges (especially Code 62) where elevated temperatures and arduous conditions are expected
- Special square section profile prevents seal 'pumping' to provide reliable flange sealing
- Outstanding resistance to blended aromatic fuels and straight aromatics as well as halogenated hydrocarbons
- 600 bar maximum working pressure
- Good resistance to strong acids and steam

KY SERIES

O-RINGS TO SUIT KOMATSU® FLANGES

Material: 90 Durometer Buna N **Temperature Range:** -34°C to +120°C



| Product Code | Dash Size | BSNumber | Dimensions mm | | |
|--------------|-----------|----------|---------------|------|---|
| | | | OD | ID | T |
| KY-08 | 1/2" | HNBR-90 | 20.80 | 2.40 | |
| KY-10 † | 5/8" | HNBR-90 | 21.70 | 3.50 | |
| KY-12 | 3/4" | HNBR-90 | 24.70 | 3.50 | |
| KY-16 | 1" | HNBR-90 | 31.70 | 3.50 | |
| KY-20 | 1.1/4" | HNBR-90 | 37.70 | 3.50 | |
| KY-24 | 1.1/2" | HNBR-90 | 47.70 | 3.50 | |
| KY-32 | 2" | HNBR-90 | 59.40 | 3.10 | |

IMPORTANT NOTE:

These O-Rings incorporate metric dimensions and are specifically for use in conjunction with Komatsu® flanges only (ie K Prefix Pirtek Flanges).

The SAE Standard is not applicable.

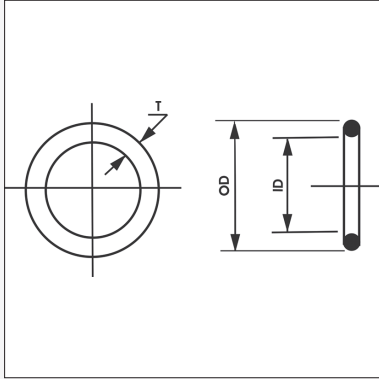
DO NOT use these O-Rings in conjunction with SAE Standard flanges.



X SERIES

O-RINGS TO SUIT UN'O' RING ADAPTORS

Material: 90 Durometer Buna N **Temperature Range:** -34°C to +120°C



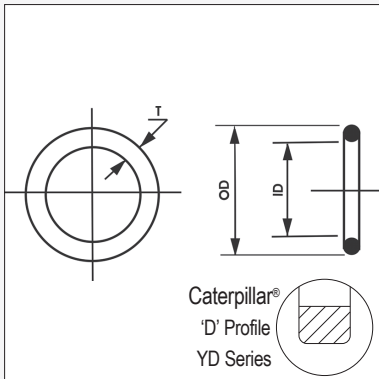
| Product Code | Dash Size | BSNumber | Dimensions mm | | | | |
|--------------|--------------|----------|---------------|-------|------|--|--|
| | | | OD | ID | T | | |
| X-07 | 7/16" - 20 | BS904 | 12.57 | 8.92 | 1.83 | | |
| X-08 | 1/2" - 20 | BS905 | 14.18 | 10.52 | 1.83 | | |
| X-09 | 9/16" - 18 | BS906 | 15.85 | 11.89 | 1.98 | | |
| X-10 | 5/8" - 18 | BS907 | 17.46 | 13.46 | 2.08 | | |
| X-12 | 3/4" - 16 | BS908 | 20.78 | 16.36 | 2.21 | | |
| X-14 | 7/8" - 14 | BS910 | 24.10 | 19.18 | 2.46 | | |
| X-17 | 1.1/16" - 12 | BS912 | 29.37 | 23.47 | 2.95 | | |
| X-19 | 1.3/16" - 12 | BS914 | 32.51 | 26.61 | 2.95 | | |
| X-21 | 1.5/16" - 12 | BS916 | 35.64 | 29.74 | 2.95 | | |
| X-26 | 1.5/8" - 12 | BS920 | 43.47 | 37.47 | 3.00 | | |
| X-30 | 1.7/8" - 12 | BS924 | 49.69 | 43.69 | 3.00 | | |
| X-40 | 2.1/2" - 12 | BS932 | 65.36 | 59.36 | 3.00 | | |

Y / YD* SERIES

O-RINGS TO SUIT SAE FLANGE FITTINGS

*YD SERIES O-RINGS ARE FOR GENUINE CATERPILLAR® XT FITTINGS ONLY

Material: 90 Durometer Buna N **Temperature Range:** -34°C to +120°C



For arduous conditions, please consider the use of OKS O-Rings as an alternative

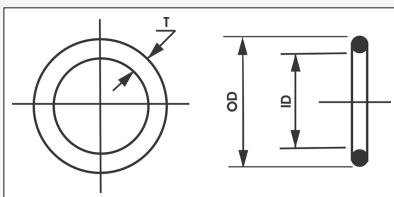
| Product Code | Dash Size | BS | Dimensions mm | | | | |
|--|-----------|-----|---------------|-------|------|--|--|
| | | | OD | ID | T | | |
| Y-08 | 1/2" | 210 | 25.7 | 18.64 | 3.53 | | |
| Y-10 † | 5/8" | | 29.0 | 21.82 | 3.57 | | |
| Y-12 | 3/4" | 214 | 32.05 | 24.99 | 3.53 | | |
| Y-16 | 1" | 219 | 39.98 | 32.92 | 3.53 | | |
| Y-20 | 1.1/4" | 222 | 44.75 | 37.69 | 3.53 | | |
| Y-24 | 1.1/2" | 225 | 54.28 | 47.22 | 3.53 | | |
| Y-32 | 2" | 228 | 63.8 | 56.74 | 3.53 | | |
| Y-40 | 2.1/2" | 232 | 76.5 | 69.44 | 3.53 | | |
| Y-48 | 3" | 237 | 92.38 | 85.32 | 3.53 | | |
| Y-56 | 3.1/2" | 241 | 105.08 | 98.02 | 3.53 | | |
| Y-64 | 4" | 245 | 117.7 | 110.7 | 3.53 | | |
| 'D' PROFILE O-RINGS - CATERPILLAR® SPECIFICATION | | | | | | | |
| YD-12 | 3/4" | | | 25.4 | 5 | | |
| YD-16 | 1" | | | 31.9 | 5 | | |
| YD-20 | 1.1/4" | | | 38.2 | 5 | | |
| YD-24 | 1.1/2" | | | 44.7 | 5 | | |
| YD-32 | 2" | | | 63.9 | 5 | | |

† SAE Standard not applicable on this size (Komatsu specific) See KY-10 for stock and for ordering.

YEH SERIES

2" O-RINGS TO SUIT EXTRA HEAVY HOSE TAILS

Material: 70 Durometer EPDM **Temperature Range:** -40°C to +100°C



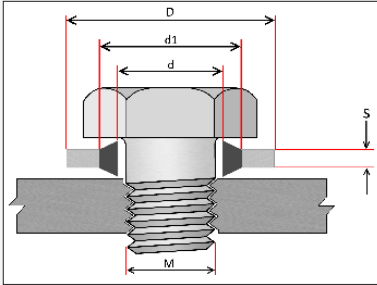
| Product Code | Dash Size | BSNumber | Dimensions mm | | | | |
|--------------|-----------|----------|---------------|-------|------|--|--|
| | | | OD | ID | T | | |
| YEH-32 | 2" | - | 49.36 | 44.12 | 2.62 | | |

IMPORTANT NOTE:

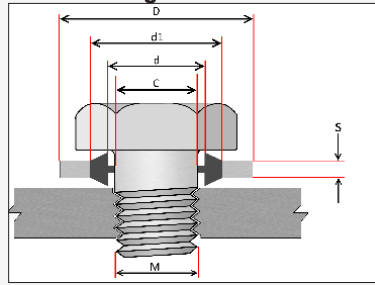
These O-Rings are not used as a flange seal, but to provide a hydraulic seal between the hose tail and hose inner liner when using 2" extra heavy interlock series hose tails. 2 O-Rings are needed for each tail.

BONDED / DOWTY WASHERS

Standard Washers



Self Centering Washers



Q SERIES - METRIC

| "Product Code" | "Thread Size (M)" | BS No. | Dimensions (mm) | | | | Min Burst (Bar) |
|----------------|-------------------|--------|-----------------|------|------|-----|-----------------|
| | | | D | d1 | d | S | |
| Q-10 | M10 | 217 | 16 | 12.4 | 10.7 | 1.5 | 1300 |
| Q-12 | M12 | 222 | 18 | 14.4 | 12.7 | 1.5 | 1150 |
| Q-14 | M14 | 227 | 22 | 16.4 | 14.7 | 1.5 | 1510 |
| Q-16 | M16 | 229 | 24 | 18.4 | 16.7 | 1.5 | 1370 |
| Q-18 | M18 | 232 | 26 | 20.4 | 18.7 | 1.5 | 1260 |
| Q-20 | M20 | 233 | 28 | 22.5 | 20.7 | 1.5 | 1140 |
| Q-22 | M22 | 236 | 30 | 24.4 | 22.7 | 2 | 1080 |
| Q-26 | M26 | 239 | 35 | 26.7 | 28.4 | 2 | 1050 |
| Q-27 | M27 | 240 | 36 | 29 | 27.2 | 2 | 1130 |
| Q-30 | M30 | 242 | 39 | 33 | 31 | 2 | 870 |
| Q-33 | M33 | 243 | 42 | 35.8 | 33.7 | 2 | 840 |
| Q-42 | M42 | 247 | 53 | 44.4 | 42.7 | 3 | 930 |
| Q-48 | M48 | 248 | 59 | 50.8 | 48.7 | 3 | 790 |

Z SERIES - BSPP Mild Steel & Stainless Steel

MILD STEEL ZINC PLATED

| "Product Code" | "Thread Size (M)" | BS No. | Dimensions (mm) | | | | Min Burst (Bar) |
|----------------|-------------------|--------|-----------------|-------|-------|------|-----------------|
| | | | D | d1 | d | S | |
| Z-02 | 1/8" - 28 | 020 | 15.88 | 11.84 | 10.37 | 2 | 1480 |
| Z-04 | 1/4" - 19 | 021 | 20.57 | 15.21 | 13.74 | 2 | 1540 |
| Z-06 | 3/8" - 19 | 023 | 23.8 | 18.75 | 17.28 | 2 | 1230 |
| Z-08 | 1/2" - 14 | 025 | 28.58 | 23.01 | 21.54 | 2.34 | 1120 |
| Z-10 | 5/8" - 14 | 026 | 31.75 | 24.97 | 23.49 | 2.34 | 1240 |
| Z-12 | 3/4" - 14 | 027 | 34.93 | 28.53 | 27.05 | 2.34 | 1050 |
| Z-16 | 1" - 11 | 030 | 42.8 | 36.88 | 33.89 | 3.25 | 780 |
| Z-20 | 1.1/4" - 11 | 032 | 52.38 | 45.93 | 42.93 | 3.25 | 690 |
| Z-24 | 1.1/2" - 11 | 033 | 58.6 | 51.39 | 48.44 | 3.25 | 690 |
| Z-32 | 2" - 11 | 036 | 73.03 | 63.63 | 60.58 | 3.25 | 780 |
| Z-40 | 2.1/2" - 11 | 039 | 90.17 | 79.38 | 76.08 | 3.25 | 680 |

304 STAINLESS STEEL

| "Product Code" | "Thread Size (M)" | BS No. | Dimensions (mm) | | | | Min Burst (Bar) |
|----------------|-------------------|--------|-----------------|-------|-------|------|-----------------|
| | | | D | d1 | d | S | |
| SSZ-04 | 1/4" - 19 | 021 | 20.57 | 15.21 | 13.74 | 2 | 1540 |
| SSZ-06 | 3/8" - 19 | 023 | 23.8 | 18.75 | 17.28 | 2 | 1230 |
| SSZ-08 | 1/2" - 14 | 025 | 28.58 | 23.01 | 21.54 | 2.34 | 1120 |
| SSZ-12 | 3/4" - 14 | 027 | 34.93 | 28.53 | 27.05 | 2.34 | 1050 |
| SSZ-16 | 1" - 11 | 030 | 42.8 | 36.88 | 33.89 | 3.25 | 780 |

Bonded Dowty Washers

Two versions: Mild steel zinc plated and 304 Stainless Steel

Steel BS1449 Part 1: 1983 CS4 BRH 5

Tensile strength of steel 540 MN/m² min.

Zinc plated to DEF STAN 03-20/1

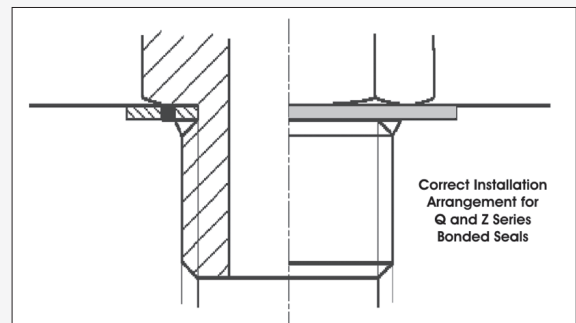
Colour passivated to DEF 03-33

Rubber: NBR nitrile

A rectangular section, metal washer, with a trapezoidal shaped ring of vulcanised nitrile rubber bonded to the inside.

The seal is for use in high pressure environments where copper washers are unsuitable.

Sometimes equipped with a thin additional membrane to assist in self centralising the seal over the BSPP thread during installation.



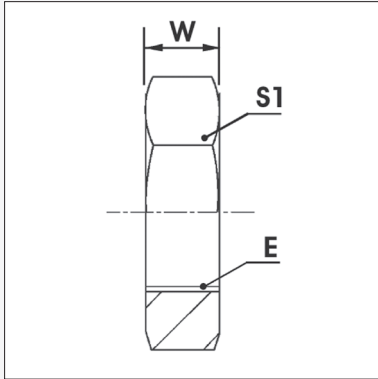
Correct Installation Arrangement for Q and Z Series Bonded Seals

ACCESSORIES



FF1332 SERIES

LOCK NUT FOR ORFS ADAPTORS

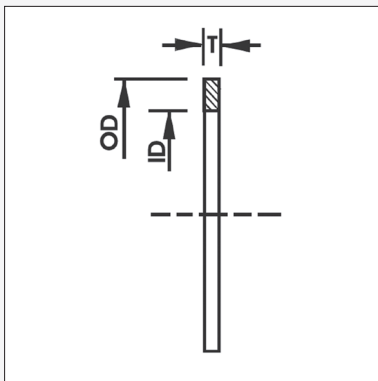


| Product Code | Dash Size | ORFS Thread | Dimensions mm | | | |
|--------------|-----------|---------------|---------------|----|---|--|
| | | | OD | ID | T | |
| FF1332-04 | 04 | 9/16" - 18 | | | | |
| FF1332-06 | 06 | 11/16" - 16 | | | | |
| FF1332-08 | 08 | 13/16" - 16 | | | | |
| FF1332-10 | 10 | 1" - 14 | | | | |
| FF1332-12 | 12 | 1.3/16" - 12 | | | | |
| FF1332-16 | 16 | 1.7/16" - 12 | | | | |
| FF1332-20 | 20 | 1.11/16" - 12 | | | | |
| FF1332-24 | 24 | 2" - 12 | | | | |

CW SERIES

'SUPERCAT' FLANGE WASHER

Spacer Ring to allow use of Code 62 flanges where a 14.2 mm thick flange is required



| Product Code | Dash Size | BSNumber | Dimensions mm | | | |
|--------------|-----------|----------|---------------|----|-----|--|
| | | | OD | ID | T | |
| CW-12 | 12 | | 41.3 | | 5.4 | |
| CW-16 | 16 | | 47.6 | | 4.7 | |
| CW-20 | 20 | | 54.0 | | 3.9 | |
| CW-24 † | 24 | | 63.5 | | 1.6 | |
| CW-32 | 32 | | 79.4 | | 1.6 | |

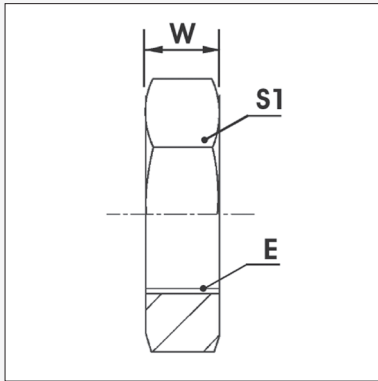
† Some minor filing may be needed to achieve a sliding fit over Code 62 flanges in this size

This adaptor is provided only for emergency use in conjunction with Pirtek 'I' Series Interlock hose tails. Always use Pirtek Supercat flanges as a first preference

LNB SERIES

LOCKING NUT BSPP

Suits adjustable elbows and Bulkheads using a BSPP thread

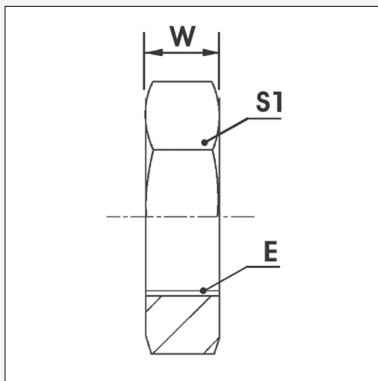


| Product Code | Dash Size | Suits BSPP Thread | Dimensions mm | | |
|--------------|-----------|-------------------|---------------|----|---|
| | | | W | S1 | E |
| LNB-02 | 02 | 1/8" - 28 | | | |
| LNB-04 | 04 | 1/4" - 19 | | | |
| LNB-06 | 06 | 3/8" - 19 | | | |
| LNB-08 | 08 | 1/2" - 14 | | | |
| LNB-12 | 12 | 3/4" - 14 | | | |
| LNB-16 | 16 | 1" - 11 | | | |

LNJ SERIES

LOCKING NUT JIC

Suits adjustable elbows and Bulkheads using a JIC / UNO thread



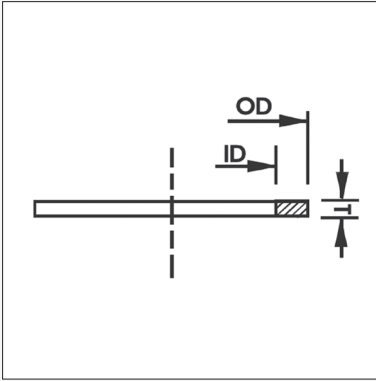
| Product Code | Dash Size | Suits JIC Thread | Dimensions mm | | |
|--------------|-----------|------------------|---------------|----|---|
| | | | W | S1 | E |
| LNJ-07 | 07 | 7/16" - 28 | | | |
| LNJ-09 | 09 | 9/16" - 18 | | | |
| LNJ-12 | 12 | 3/4" - 16 | | | |
| LNJ-14 | 14 | 7/8" - 14 | | | |
| LNJ-17 | 17 | 1.1/16" - 12 | | | |
| LNJ-21 | 21 | 1.5/16" - 12 | | | |

ACCESSORIES

**RRB** SERIES

RETAINING RING BSPP - STEEL

Suits adjustable elbows using a BSPP adjustable thread

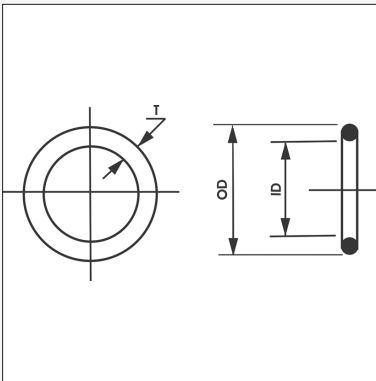


| Product Code | Dash Size | Suits BSPP Thread | Dimensions mm | | | |
|--------------|-----------|-------------------|---------------|------|-----|--|
| | | | OD | ID | T | |
| RRB-02 | 02 | 1/8" - 28 | 15.0 | 12.0 | 1.4 | |
| RRB-04 | 04 | 1/4" - 19 | 19.5 | 15.8 | 1.9 | |
| RRB-06 | 06 | 3/8" - 19 | 23.5 | 19.4 | 1.9 | |
| RRB-08 | 08 | 1/2" - 14 | 28.5 | 23.0 | 1.9 | |
| RRB-12 | 12 | 3/4" - 14 | 34.5 | 28.5 | 1.9 | |
| RRB-16 | 16 | 1" - 11 | 43.5 | 36.4 | 2.6 | |
| RRB-20 | 20 | 1.1/4" - 11 | 52.5 | 45.2 | 2.6 | |
| RRB-24 | 24 | 1.1/2" - 11 | 60.0 | 50.7 | 2.6 | |

RROB SERIES

O-RING TO SUIT BSPP

Suits adjustable elbows using a BSPP adjustable thread - NBR - 90 Duro



| Product Code | Dash Size | Suits BSPP Size | BSNumber | Dimensions mm | | |
|--------------|-----------|-----------------|----------|---------------|--------|------|
| | | | | OD | ID | T |
| RROB-02 | 02 | 1/8" - 28 | BS011 | 11.21 | 7.65 | 1.78 |
| RROB-04 | 04 | 1/4" - 19 | BS111 | 16.00 | 10.77 | 2.62 |
| RROB-06 | 06 | 3/8" - 19 | BS113 | 19.19 | 13.95 | 2.62 |
| RROB-08 | 08 | 1/2" - 14 | BS115 | 22.36 | 17.142 | 2.62 |
| RROB-12 | 12 | 3/4" - 14 | BS119 | 28.71 | 23.47 | 2.62 |
| RROB-16 | 16 | 1" - 11 | BS217 | 36.80 | 29.74 | 3.53 |
| RROB-20 | 20 | 1.1/4" - 11 | BS222 | 44.75 | 37.69 | 3.53 |
| RROB-24 | 24 | 1.1/2" - 11 | BS224 | 51.15 | 44.09 | 3.53 |

ALPHANUMERIC INDEX

| ProductCode | Page # | ProductCode | Page # | ProductCode | Page # | ProductCode | Page # | ProductCode | Page # |
|-------------|--------|-------------|--------|-------------|--------|-------------|--------|--------------|--------|
| 45°ELBOWS | D 48 | BAS | D 64 | CJPN | D 52 | F | D 6 | KF | D 14 |
| 90°ELBOWS | D 31 | BB | D 63 | CKA/CKB | D 52 | FF1201 | D 15 | KFA | D 47 |
| A | D 3 | BBJM | D 63 | CLA | D 36 | FF1202 | D 16 | KJA | D 54 |
| AA | D 78 | BC | D 57 | CLAN | D 37 | FF1204 | D 16 | KKA | D 54 |
| AAB | D 72 | BD | D 58 | CLF | D 37 | FF1206 | D 53 | KMA | D 29 |
| AABN | D 72 | BF | D 58 | CLJ | D 37 | FF1208 | D 44 | KP | D 14 |
| AABP | D 72 | BFH | D 87 | CLJN | D 38 | FF1220 | D 27 | KU | D 67 |
| AAM | D 73 | BFS | D 87 | CLP | D 38 | FF1221 | D 28 | KVA | D 47 |
| AAMG/AAMN | D 73 | BG | D 55 | CLPN | D 38 | FF1227 | D 29 | KW | D 70 |
| AAMP | D 74 | BH | D 55 | CMA | D 21 | FF1229 | D 30 | KY | D 93 |
| AAP | D 75 | BJ | D 56 | CMAI | D 21 | FF1231 | D 17 | KYA | D 30 |
| AAU | D 75 | BM / BP | D 56 | CROSSES | D 18 | FF1234 | D 44 | L | D 9 |
| AB | D 78 | BO | D 91 | CSA | D 39 | FF1236 | D 44 | LNB / LNJ | D 97 |
| ABN | D 78 | C | D 4 | CTA | D 22 | FF1238 | D 45 | M | D 10 |
| ADAPTFIXED | D 71 | C611JMetc | D 88 | CTAN | D 22 | FF1239 | D 45 | OKS | D 93 |
| ADAPTUNION | D 71 | CAA | D 32 | CTP | D 22 | FF1240 | D 53 | P | D 11 |
| AF3 | D 85 | CAB | D 32 | CVA | D 39 | FF1248 | D 29 | PLUGS | D 62 |
| AF6 | D 85 | CABI | D 32 | CVAN | D 40 | FF1254 | D 68 | PS | D 15 |
| AH | D 12 | CAH | D 33 | CVANE (/L) | D 41 | FF1260LN | D 17 | Q | D 95 |
| AM | D 12 | CAL | D 64 | CVD | D 41 | FF1262LN | D 46 | R | D 11 |
| AN / ANHD | D 13 | CAS | D 64 | CVDN | D 42 | FF1265 | D 28 | RED.BUSHES | D 70 |
| ANN | D 76 | CBA | D 19 | CVDPCVDPA | D 42 | FF1266 | D 28 | RI | D 81 |
| ANU | D 76 | CBB | D 19 | CVE | D 42 | FF1291 | D 46 | RRB/RROB | D 98 |
| AP | D 65 | CBBI | D 19 | CVF | D 43 | FF1311 | D 65 | SEALS | D 84 |
| AQ | D 77 | CBH | D 20 | CVJ / CVJN | D 43 | FF1319 | D 69 | SOCKETS | D 70 |
| AR | D 77 | CBJ | D 20 | CW | D 96 | FF1332 | D 96 | STRAIGHT | D 02 |
| AS | D 65 | CBJN | D 21 | CXA | D 21 | FF3018 | D 64 | TEES | D 18 |
| AT | D 65 | CBM | D 21 | CYA | D 23 | FF3020 | D 58 | TUBEFITTINGS | D 61 |
| ATH | D 66 | CEA | D 33 | D | D 5 | FF3021 | D 59 | TUBEWELD | D 48 |
| AU | D 66 | CED | D 35 | DKOR | D 92 | FF3030 | D 87 | V / VHD | D 83 |
| AUU | D 76 | CEJ | D 36 | ED | D 91 | FF3031 | D 58 | W | D 82 |
| AV | D 67 | CEPN | D 35 | EPD/EPDP | D 23 | FF3032 | D 59 | W_U | D 82 |
| AVH | D 68 | CFA | D 36 | EPF | D 23 | FLANGE | D 81 | W (P) | D 82 |
| AW | D 69 | CFAE | D 37 | EPFFM | D 24 | H | D 7 | X | D 94 |
| AX | D 69 | CFJ | D 37 | EPFLF | D 24 | HN | D 7 | Y/YD/YEH | D 94 |
| AX3 | D 86 | CGB | D 49 | EPJ | D 24 | J | D 8 | Z / SSZ | D 95 |
| AX6 | D 86 | CJA | D 49 | EPK | D 25 | K | D 9 | | |
| AZ3 | D 86 | CJAN | D 50 | EPKCL | D 25 | KA | D 13 | | |
| AZ6 | D 87 | CJD | D 50 | EPKLLK | D 25 | KAB | D 45 | | |
| B | D 3 | CJDN | D 51 | EPP | D 26 | KB/KN/KS | D 14 | | |
| BAN | D 63 | CJJ | D 51 | EPS | D 26 | KEA | D 47 | | |